

VPD Active Endpoint Combiner

EB-C304-01EQ 4 Channel Video/Power/Data Active Endpoint Combiner

ENFORCER VPD (Video/Power/Data) Combiners work in conjunction with standard passive VPD baluns and RJ45 cables to simplify and organize a large scale CCTV installation. Using this allows for increased flexibility and simplified, more organized cable installation, providing power to cameras while delivering high quality video all over a single CAT5e/6 cable. Troubleshooting is therefore greatly simplified and clutter reduced. ENFORCER VPD combiners are compatible with all HD analog, including HD-AHD, HD-CVI, and HD-TVI, as well as traditional analog formats.

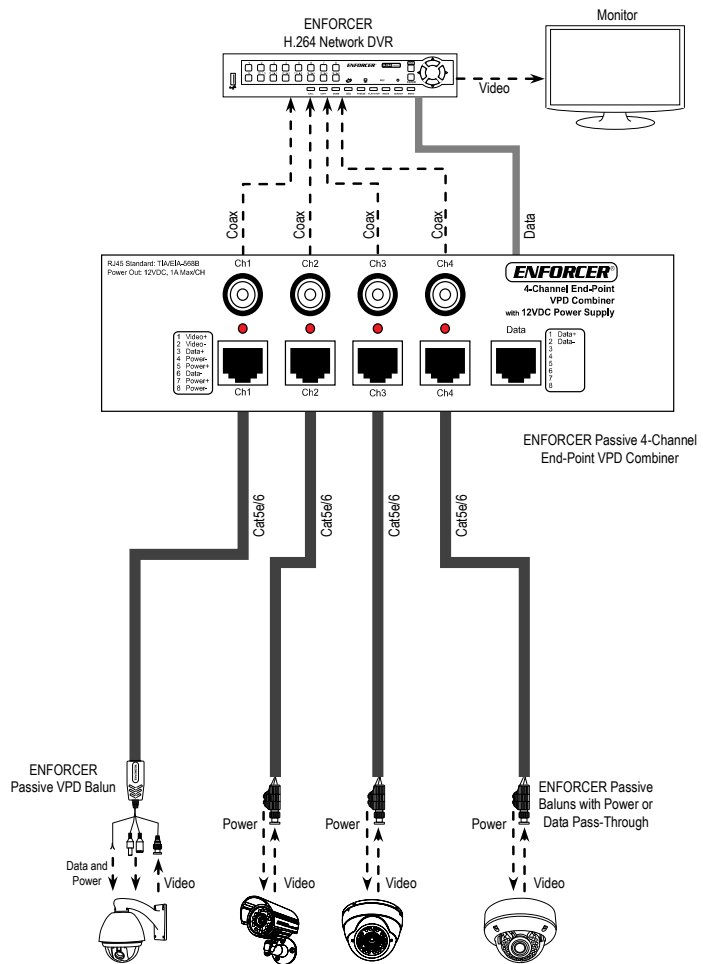


EB-C304-01EQ

Sample Application:

Features:

- Video, power, and data over a single category cable
- Compatible with all traditional and HD analog formats, including HD-AHD, HD-CVI, and HD-TVI
- Built-in passive transceiver baluns
- Used in end-span applications
- Supports up to four (4) cameras
- Power LED indicator for each channel
- Can transfer HD Analog video up to 1,476ft (450m) *
- Integrated 24VAC power supply



* 720p HD-CVI video; other formats will have different maximum ranges. See the included specification chart for complete range information

Specifications:

Model #	EB-C304-01EQ	
Type	24VAC Endpoint	
Channels	4	
Video Range	CVBS	984' (300m)
	HD-AHD	720p: 1050' (320m); 1808p: 722' (220m)
	HD-CVI	720p: 1476' (450m); 1080p: 820' (250m)
	HD-TVI	720p/1080p: 820' (250m)
Video format	NTSC, PAL, SECAM	
Maximum input	1Vp-p	
Insertion loss	0.3dB per pair from 20kHz~60MHz	
Frequency response	DC to 60MHz	
CMMR	60dB, 20kHz~60MHz	
Wire Category	CAT5e~CAT6	
BNC Connection	Nickel-plated	
Impedance	Coax	75Ω@1MHz
	RJ45	100Ω@1MHz
Max. amperage	1A@24VAC	
Data Range	2,400' (800m)	
DC Loop Resistance	29Ω/1,000' (9.5Ω/100m)	
Differential capacitance	19pF/ft max (62pf/m max)	
Output Voltage	26VAC	
Fuse	1.5A max/CH	
Input power	110VAC	
Input power fuse	F2AL250V	
Operating Temperature	-14~140°F (-10~60°C)	
Humidity Range	0~95%, non-condensing	
Case Material	Steel	
Weight	5.72-lbs (2596g)	
Dimensions	6 ⁵ / ₁₆ "x2 ³ / ₁₆ "x6 ¹ / ₁₆ " (160mm x 55mm x 170mm)	

Also Available:



16-Port Passive Video Transceiver



Passive Video, Power, and Data Balun



Passive Power or Data Pass-Through Video Balun



Rack Mount Power Supply



Illuminated Power Connectors



4-Port Passive Video Transceiver

SECO-LARM® U.S.A., Inc.

16842 Millikan Avenue, Irvine, CA 92606

Phone: (949) 261-2999 | (800) 662-0800 Fax: (949) 261-7326

Website: www.seco-larm.com Email: sales@seco-larm.com



Copyright 2015 © SECO-LARM U.S.A., Inc. All rights reserved.
All trademarks are the property of SECO-LARM U.S.A., Inc. or their respective owners.
The SECO-LARM policy is one of continual development. For that reason, SECO-LARM reserves the right to change prices and specifications without notice. SECO-LARM is not responsible for misprints.

SECO-LARM® ENFORCER® CRIMEBUSTER® CBA SLI®

PI_EB-C304-01EQ_151103