

Flush-Mount Low-Profile UFO Camera

EV-6640-N3WQ

700 TV Lines, 960H Resolution

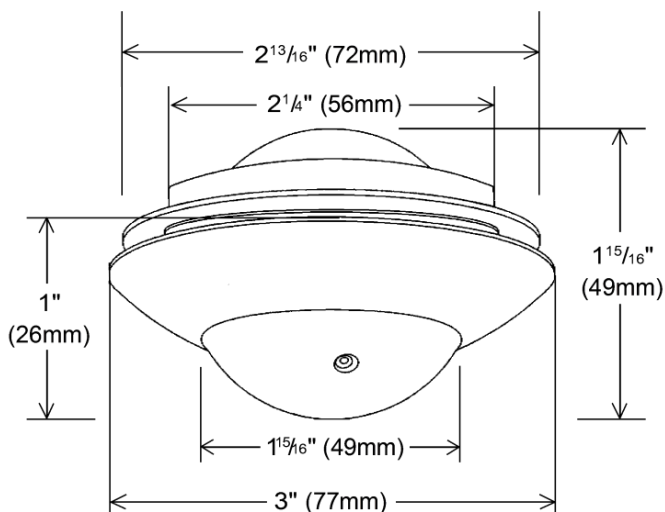
EV-6640SWQ

Surface-Mount Bracket

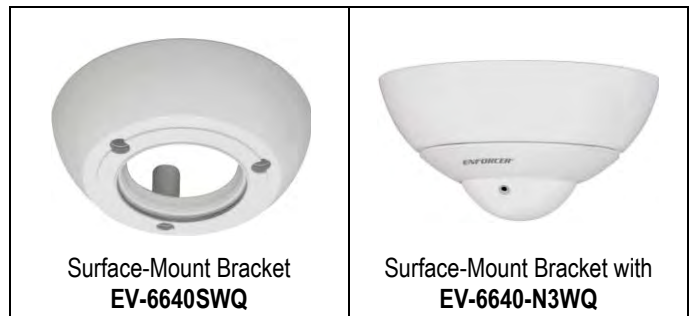
Features:

- 1/3" Sony Super HAD II CCD
- 3.7mm Pinhole lens
- 700 TV Lines, 960H High Resolution
- Low-profile design, extends outward only one inch
- Day/Night operation captures images even in low light
- Minimum 0.05 Lux
- No exposed screws, tamper-resistant
- Lens rotates for mounting to ceilings or walls
- Small size: 3"x1¹⁵/₁₆" (77x49 mm)

Dimensions:



Optional Mounting Bracket:



Specifications:

	EV-6640-N3WQ
Type	Flush-mount low-profile UFO camera
Image sensor	1/3" Sony Super HAD II CCD
Resolution	700 TVL
Lens	3.7mm
Pickup elements	768x494 pixels
Sync	Internal
Video output	1.0Vp-p composite video, 75Ω
Minimum illumination	0.05-lux
S/N ratio	>48dB
Shutter control	Auto Electric Shutter (AES), 1/60~1/100,00 s
Gain control	Auto
White balance	Auto
Gamma correction	0.45
Operating voltage	12VDC ±10%
Current draw	130mA ±10mA
Operating temperature	-4°~122° F (-20°~50° C)
Dimensions	3"x1 ¹⁵ / ₁₆ " (77x49 mm)

SECO-LARM® U.S.A., Inc.

16842 Millikan Avenue, Irvine, CA 92606

Phone: (949) 261-2999 | (800) 662-0800 Fax: (949) 261-7326

Website: www.seco-larm.com Email: sales@seco-larm.com



Copyright 2014 © SECO-LARM U.S.A. Inc. All rights reserved. The SECO-LARM policy is one of continual development. For that reason, SECO-LARM reserves the right to change prices and specifications without notice. SECO-LARM is not responsible for misprints.

SECO-LARM® ENFORCER® CRIMEBUSTER® CBA SLI®

PIEV-6640-N3WQ_1405.docx