



## ENHANCED HDMI Extenders over Cat5e/6

**MVE-AH1H1-01GQ** Extend HDMI signals up to 230ft (70m) at 1080p

**MVE-AH1H1-02ZQ** Extend HDMI signals up to 330ft (100m) at 1080p

The ENFORCER Enhanced HDMI Extenders over Cat5e/6 extend the range of HDMI signals to send video and audio up to 330ft (100m)\* over a single Cat5e/6 cable. The extender includes an IR transmitter and receiver, allowing the user to use a remote control at one end of an installation to control a device at the opposite end. A single power supply can power both devices from either end of the installation. The MVE-AH1H1-02ZQ also supports 100BaseT Ethernet Pass-through and Bi-directional RS-232 control.



### Features:

- **Signal Strength** – Active operation ensures that the signal strength will remain strong over the length of the cable
- **Distance** – The Enhanced HDMI Extender over Cat5e/6 can transmit a clear HDMI signal up to 230ft (70m) for the MVE-AH1H1-01GQ and 330ft (100m) for the MVE-AH1H1-02ZQ
- **Formats Supported** – The Enhanced HDMI Extender over Cat5e/6 supports both progressive and interlaced formats: 4K/1080p/1080i/720p/576p/576i/480p/480i
- **Plug and Play** – The Enhanced HDMI Extender over Cat5e/6 comes as a complete set consisting of a transmitter, receiver, power supply, and IR adapters
- **Zero Signal Loss** – Integrated circuits in the transmitter and receiver clean, buffer, and amplify the HDMI signal.
- **Bi-Directional IR** – Send IR signals from the source to the monitor or from the monitor to the source for discrete operation of devices
- **Connect Multiple Units** – Repeat up to four sets to extend HDMI range up to 918ft (280m) for the MVE-AH1H1-01GQ and 1300ft (400m) for the MVE-AH1H1-02ZQ

### MVE-AH1H1-02ZQ Only:

- **Bi-Directional RS-232** – Send RS-232 commands from a control system to the display and back without extra cabling
- **Ethernet pass-through** – 100BaseT Ethernet pass-through to connect remote displays to local networks

\*Distance quoted is for the MVE-AH1H1-02ZQ

HDMI, the HDMI logo, and High-Definition Multimedia Interface are trademarks or registered trademarks of HDMI Licensing LLC in the United States and other countries.

### Specifications:

Model	MVE-AH1H1-01GQ	MVE-AH1H1-02ZQ
Input video signal	3.3V	
Input DDC signal	5vp-p (TTL)	
Maximum single link range	4Kx2K@30Hz	
Deep color	48-bit	
Video formats supported	High-speed HDMI with 3D, HDCP 1.2	
Audio formats supported	LPCM, Dolby-AC3, DTS 7.1, DSD	
Output video	HDMI	
Resolutions supported	4K/1080p/1080i/720p/576p/576i/480p/480i	
Range – 1080p	Cat6	Up to 230' (70m) / Up to 330' (100m)
	Cat5e	Up to 196' (60m) / Up to 295' (90m)
Range – 4K	Cat6	Up to 130' (40m) / Up to 230' (70m)
	Cat5e	Up to 98' (30m) / Up to 196' (60m)
Video amplifier bandwidth	10.2Gbps	
Video input connector	HDMI Type A 19-pin female	
Maximum input cable length	24AWG: 50' (15m); 26AWG: 32' (10m); 28AWG: 16' (5m)	
Cat5e/6 wiring standard	T568-B	
IR pass-through	30–50kHz	
RS-232 Pass-through	N/A	115,200 baud
Ethernet pass-through	N/A	100BaseT
Operating voltage	24VDC	
Power supply	1A@24VDC (1 adapter) (2.1mm plug)	
ESD protection (human body model)	±8kV (air-gap discharge), ±4kV (contact discharge)	
Current draw	Transmitter	150mA@24VDC
	Receiver	250mA@24VDC
Operating temperature	32°~104° F (0°~40° C)	
Operating humidity	20~90% RH (no condensation)	
Dimensions	3 <sup>15</sup> / <sub>16</sub> "x2 <sup>9</sup> / <sub>16</sub> "x1"	3 <sup>15</sup> / <sub>16</sub> "x3 <sup>15</sup> / <sub>16</sub> "x1 <sup>1</sup> / <sub>8</sub> "
Weight	7.1-oz (200g) (each)	11.3-oz (300g) (each)

### SECO-LARM® U.S.A., Inc.

16842 Millikan Avenue, Irvine, CA 92606

Phone: (949) 261-2999 | (800) 662-0800 Fax: (949) 261-7326

Website: [www.seco-larm.com](http://www.seco-larm.com) Email: [sales@seco-larm.com](mailto:sales@seco-larm.com)

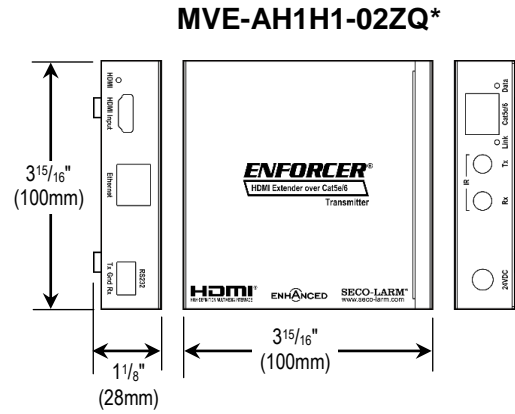
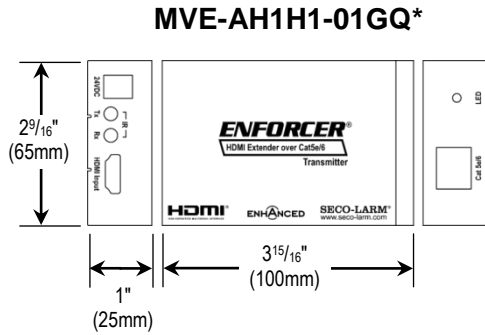


Copyright 2016 © SECO-LARM U.S.A., Inc. All rights reserved. All trademarks are the property of SECO-LARM U.S.A., Inc. or their respective owners. The SECO-LARM policy is one of continual development. For that reason, SECO-LARM reserves the right to change prices and specifications without notice. SECO-LARM is not responsible for misprints.

SECO-LARM® ENFORCER® CRIMEBUSTER® CBA SLI®

PI\_MVE-AH1H1-0xxQ\_160224.docx

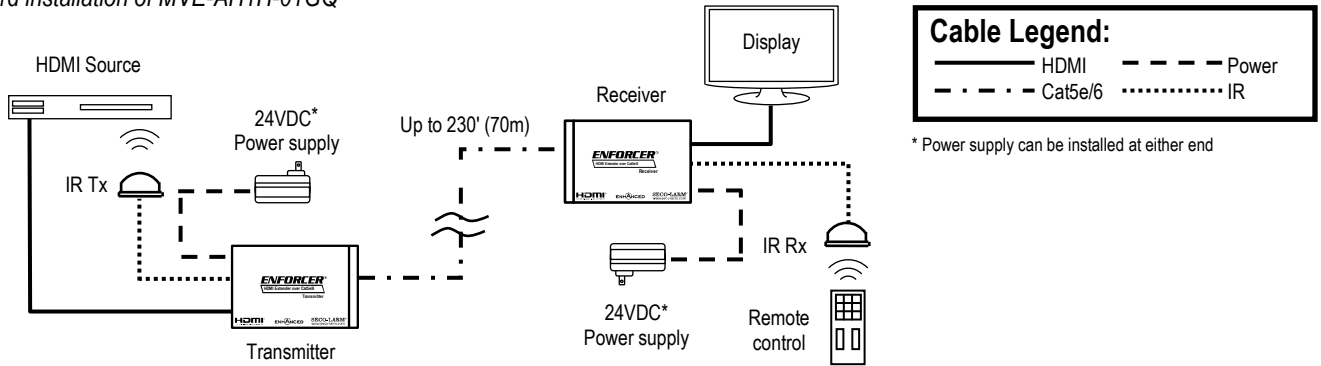
## Dimensions:



Transmitters shown.  
Dimensions are the same for both the transmitter and receiver

## Sample Application:

Standard installation of MVE-AH1H-01GQ



## Also Available from SECO-LARM:

**4K HDMI Splitters**  
MVD-AH12-01Q  
MVD-AH14-01Q  
MVD-AH18-01Q



**HDMI Extender over Coax Cable**  
MVE-AA11-01NQ



**HDMI Extenders over Single CAT5e/6**  
MVE-AH030AQ  
MVE-AH030Q



**IR over HDMI Kit**  
MVE-PN11-01Q



**HDMI Switchers**  
MVS-AH31-01NQ  
MVS-AH51-01NQ



**HDMI over Composite**  
MVA-HT01Q



**HDMI over Dual CAT5e/6**  
MVE-AH010Q



**High-Speed HDMI Cables**  
MC-1102 Series  
9 Sizes available:  
1.5ft-50ft



**SECO-LARM® U.S.A., Inc.**

16842 Millikan Avenue, Irvine, CA 92606

Phone: (949) 261-2999 | (800) 662-0800 Fax: (949) 261-7326

Website: [www.seco-larm.com](http://www.seco-larm.com) Email: [sales@seco-larm.com](mailto:sales@seco-larm.com)



Copyright 2016 © SECO-LARM U.S.A., Inc. All rights reserved.  
All trademarks are the property of SECO-LARM U.S.A., Inc. or their respective owners.  
The SECO-LARM policy is one of continual development. For that reason, SECO-LARM reserves the right to change prices and specifications without notice. SECO-LARM is not responsible for misprints.

**SECO-LARM® ENFORCER® CRIMEBUSTER® CBA SLI®**

PI\_MVE-AH1H1-0xxQ\_160224.docx