

4x4 HDMI Matrix

MVM-AH44-01YQ



Features:

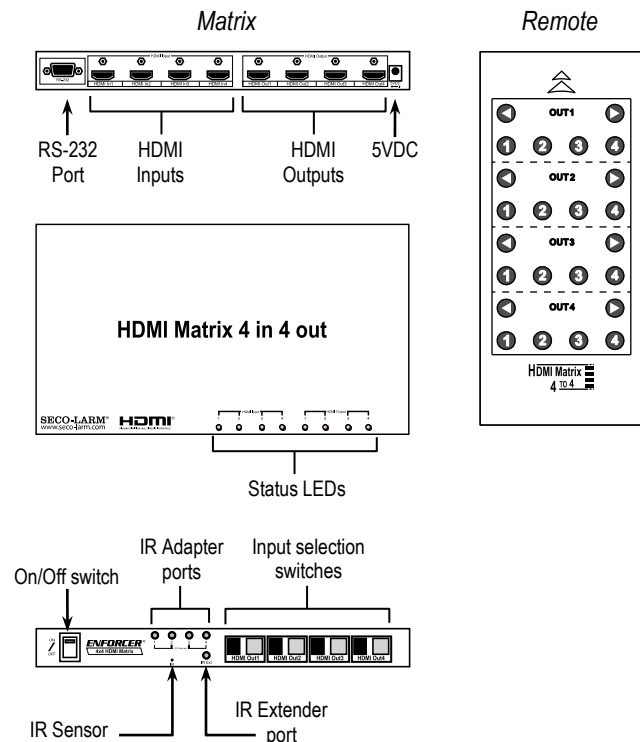
- 4 HDMI Inputs and 4 HDMI outputs — each of the four HDMI displays connected to the matrix can display any of the four sources connected to the matrix
- Supports up to 1080p resolution and 3D
- Individual status LEDs for each HDMI input and output
- Use with IR over HDMI Kit (**MVE-PN11-01Q**) to control the HDMI matrix or HDMI sources via remote control even if they have been hidden away
- RS-232 Control
- Includes remote control for switching between inputs and outputs and 5VDC power supply



Specifications:

Model	MVM-AH44-01YQ
Type	HDMI Matrix
Input video signal	5.0Vp-p
Video formats supported	High-speed HDMI with 3D, HDCP 1.2
Audio formats supported	LPCM, Dolby-AC3, DTS 7.1, DSD
Output video	HDMI
Resolutions supported	1080p/1080i/720p/576p/576i/480p/480i
Video amplifier bandwidth	6.75Gbps
Video input connector	4x HDMI Type A 19-pin female
Maximum input cable length	24AWG: 50' (15m); 26AWG: 30' (10m); 28AWG: 16' (5m)
Video output connector	4x HDMI Type A 19-pin female
Maximum output cable length	24AWG: 65' (20m); 26AWG: 50' (15m); 28AWG: 16' (5m)
Operating voltage	5VDC
Power supply	3A@5VDC (2.1mm plug)
Current draw	2.1A@5VDC
Operating temperature	32°~158° F (0°~70° C)
Operating humidity	5~90% RH (no condensation)
Dimensions	12 ³ / ₈ "x6 ¹ / ₈ "x1 ¹ / ₂ "(315x155x26 mm)
Weight	2-lbs 12.8-oz (1.3kg)

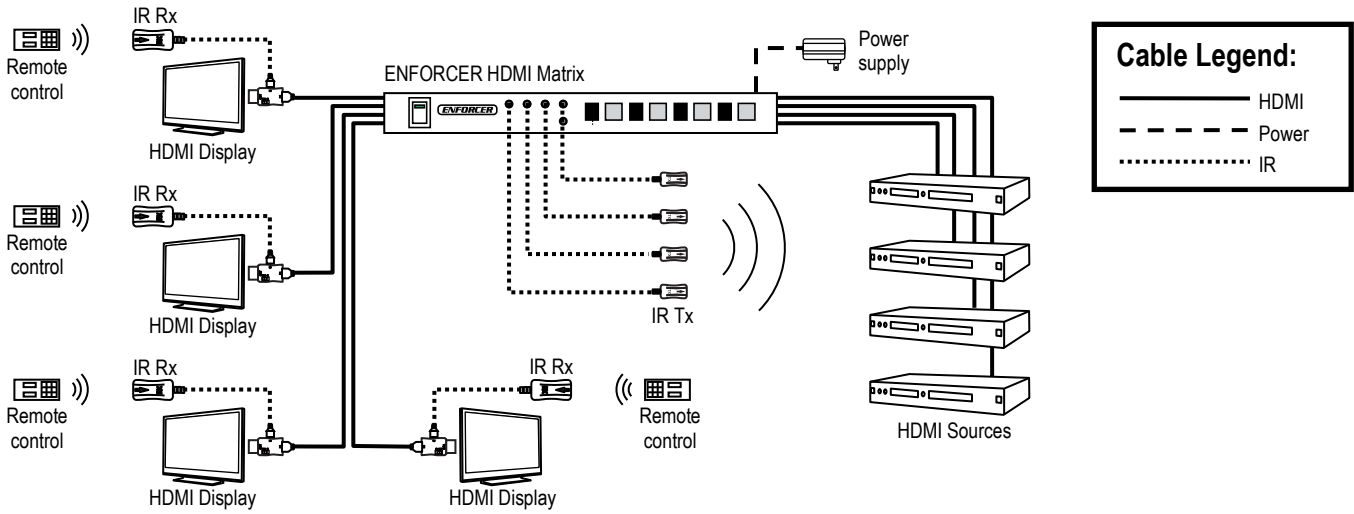
Overview:



4x4 HDMI Matrix

Sample Application:

Installation with optional IR over HDMI Kit (requires the **MVE-PN11-01Q** – sold separately)



Also Available from SECO-LARM:

ENHANCED Extenders for HDMI



MVE-AT11-01NQ

4x1 HDMI Switch



MVS-AH41-01NQ

1x4 HDMI Splitter



MVD-AH14-01NQ

IR over HDMI Kit



MVE-PN11-01Q

Wireless Extender for HDMI



MVE-WH010Q

High-Speed HDMI Cables



MC-1102 Series
9 Sizes available: 1.5ft~50ft

SECO-LARM® U.S.A., Inc.

16842 Millikan Avenue, Irvine, CA 92606

Phone: (949) 261-2999 | (800) 662-0800 Fax: (949) 261-7326

Website: www.seco-larm.com Email: sales@seco-larm.com



Copyright 2014 © SECO-LARM U.S.A., Inc. All rights reserved.

The SECO-LARM policy is one of continual development. For that reason, SECO-LARM reserves the right to change prices and specifications without notice. SECO-LARM is not responsible for misprints.

SECO-LARM® ENFORCER® CRIMEBUSTER® CBA SLI®

Pi_MVM-AH44-01YQ_1405.docx