

### Electric Sheer Lock

#### SD-993B-SS

1,500lb. (680 kg.) holding force

Concealed security for remote access and exit control of aluminum and steel doors or gates. Works with sliding, single-action, and double-action (swing through) doors and gates. Plated steel plugs and magnetic bond holds doors securely in place with approximately 1,500 pounds (680 kg) of shear holding force. Surface-Mount Brackets and U-Brackets also available for surface-mount and glass-door-mount applications (see page 2 for details).



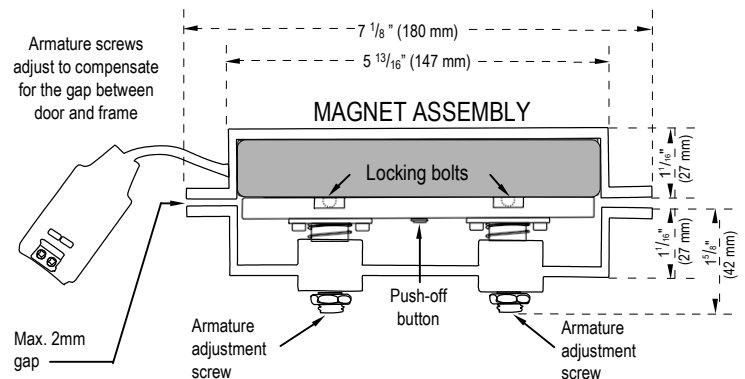
#### Features:

- Concealed security for remote access and exit control of aluminum and steel doors or gates.
- Smaller size for use with most metal door jambs.
- Zinc-plated magnet and armature, aluminum anodized housing.
- Works with sliding, single-action, and double-action (swing-through) doors and gates.
- Use with an optional digital keypad for keyless high security.
- Easily connects to SECO-LARM's Electronic Keypads.
- Spring-loaded locking bolts and magnetic bond holds doors securely in place with approximately 1,500 pounds (680kg) of shear holding force.
- Fail-secure operation (unlocks if power is lost).
- Armature plate adjusts to compensate for gaps between door and frame.
- Surface-mount bracket (SD-993S-SB) available for surface-mount installations. Please see page 2 for details.
- U-Bracket (SD-993S-UB) available for glass-door-mount installations (SD-993S-SB also required). Please see page 2 for details.

#### Specifications:

|                   | <b>SD-993B-SS</b>      |
|-------------------|------------------------|
| Operating Voltage | 12VDC or 24VDC         |
| Current Draw      | 420mA/12VDC, 210mA/24V |
| Door Gap          | Max. 1/16" (2mm)       |
| Weight (Approx.)  | 2lbs., 8oz. (1.1kg)    |

#### Dimensions:



#### SECO-LARM® U.S.A., Inc.

16842 Millikan Avenue, Irvine, CA 92606

Phone: (949) 261-2999 | (800) 662-0800 Fax: (949) 261-7326

Website: [www.seco-larm.com](http://www.seco-larm.com) Email: [sales@seco-larm.com](mailto:sales@seco-larm.com)

Copyright 2015 © SECO-LARM U.S.A., Inc. All rights reserved. All trademarks are the property of SECO-LARM U.S.A., Inc. or their respective owners. The SECO-LARM policy is one of continual development. For that reason, SECO-LARM reserves the right to change prices and specifications without notice. SECO-LARM is not responsible for misprints.

**SECO-LARM® ENFORCER® CRIMEBUSTER® CBA SLI**

### Surface-Mount Bracket SD-993S-SB

### U-Bracket (Glass Door) SD-993S-UB

### Brackets for SD-993B-SS Electric Shear Lock



SD-993S-SB

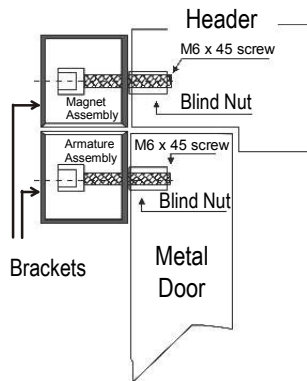


SD-993S-UB

#### Installation:

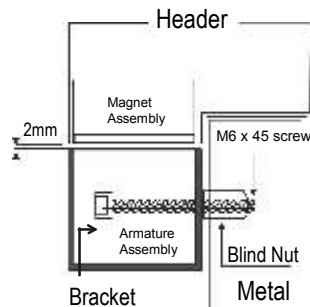
##### FOR SURFACE MOUNTING (SD-993S-SB)

Surface-mount  
(magnet and armature).  
Use 2 x SD-993S-SB



The magnet assembly is in the bracket above the door, and the armature assembly is in the bracket on the door

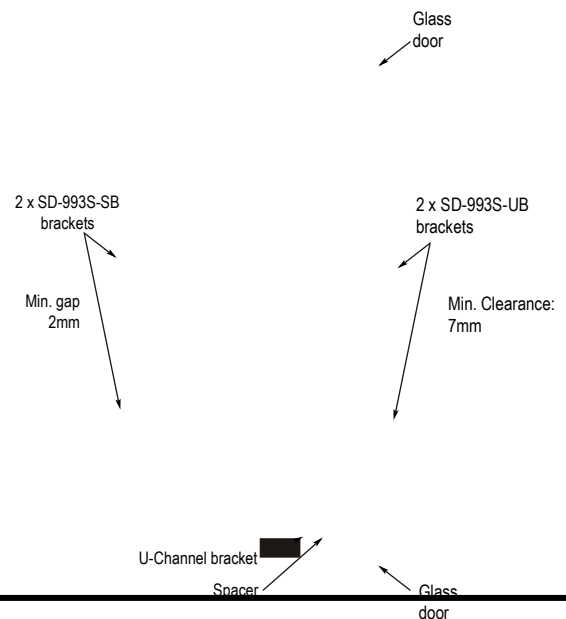
Flush-mount (magnet).  
Surface-mount (door).  
Use 1 x SD-993S-SB



The magnet assembly is flush to the door frame or header, and the armature assembly is in the bracket on the door.

##### FOR GLASS DOOR MOUNTING (SD-993S-UB)

NOTE: In most cases, requires  
2 x SD-993S-UB U-Brackets and  
2 x SD-993S-SB surface-mount  
brackets, sold separately.



#### SECO-LARM® U.S.A., Inc.

16842 Millikan Avenue, Irvine, CA 92606

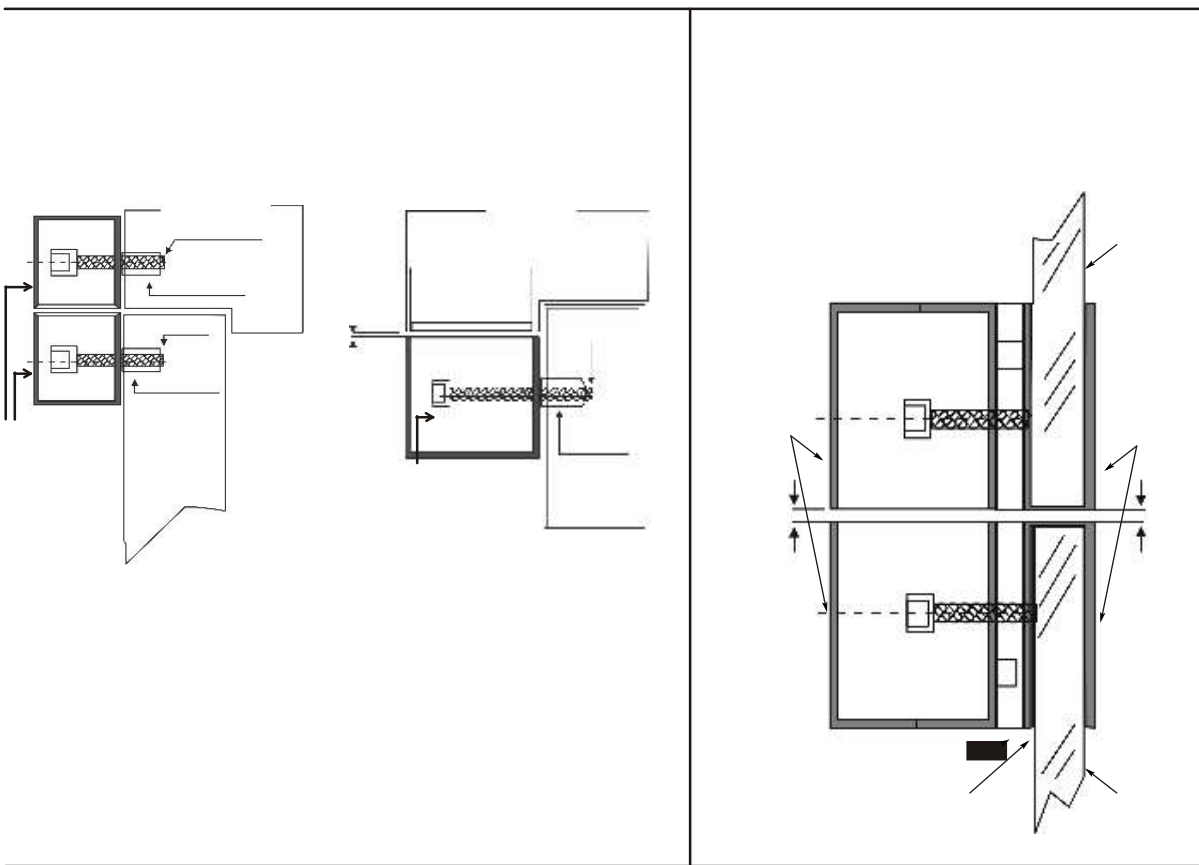
Phone: (949) 261-2999 | (800) 662-0800 Fax: (949) 261-7326

Website: [www.seco-larm.com](http://www.seco-larm.com) Email: [sales@seco-larm.com](mailto:sales@seco-larm.com)

Copyright 2015 © SECO-LARM U.S.A., Inc. All rights reserved.  
All trademarks are the property of SECO-LARM U.S.A., Inc. or their respective owners.  
The SECO-LARM policy is one of continual development. For that reason, SECO-LARM reserves the right to change prices and specifications without notice. SECO-LARM is not responsible for misprints.

SECO-LARM® ENFORCER® CRIMEBUSTER® CBA SLI





### SECO-LARM® U.S.A., Inc.

16842 Millikan Avenue, Irvine, CA 92606

Phone: (949) 261-2999 | (800) 662-0800 Fax: (949) 261-7326

Website: [www.seco-larm.com](http://www.seco-larm.com) Email: [sales@seco-larm.com](mailto:sales@seco-larm.com)

Copyright 2015 © SECO-LARM U.S.A., Inc. All rights reserved.  
All trademarks are the property of SECO-LARM U.S.A., Inc. or their respective owners.  
The SECO-LARM policy is one of continual development. For that reason, SECO-LARM reserves the right to change prices and specifications without notice. SECO-LARM is not responsible for misprints.

**SECO-LARM® ENFORCER® CRIMEBUSTER® CBA SLI**



SD-993B-SS 151006.docx