

Auto Dialer

E-921APQ

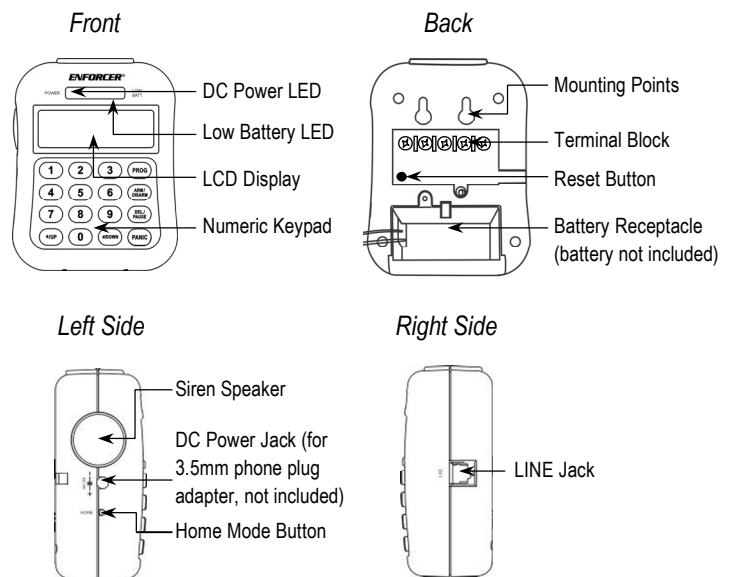
When triggered by an alarm system, the ENFORCER Auto Dialer can call up to 5 numbers and deliver a beep alert repeatedly for one minute. The receiver can then listen in to the room occupants or can disarm the system. The dialer includes a home mode (acting like a door chime when the owner is present) and a panic button. The 105dB built-in siren alarm can be programmed on or off.

Features:

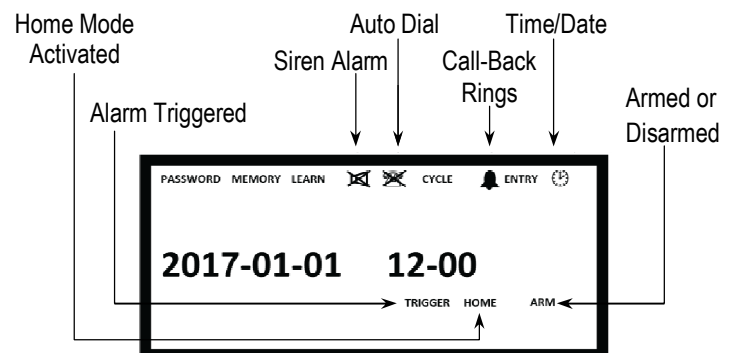
- 16-Digit large display with date/time and function icons
- 2 (N.C.) Triggers for multiple zone security
- Remote monitoring – user can call in to listen in to room sounds and arm/disarm dialer
- Remotely listen in to room sounds or disarm during call back
- Programmable PIN number and entry delay timing
- 5 Programmable emergency telephone numbers (up to 32 digits each)
- Programmable auto-dialing cycle repeat times
- Home mode function (acts as a door chime when user is at home)
- Panic button
- Built-in flash memory to protect against system data loss in case of power failure
- Touch-tone dialing
- Phone jack
- Low-battery indicator for backup battery (battery not included)
- DC Power input jack (3.5mm phone jack, not included)
- 9V Battery backup (battery not included)
- Wall-mountable
- Built-in 105dB alarm (with programmable alarm on/off)
- Built-in auxiliary output for external alarm or siren



Overview:



LCD Screen Layout:



NOTE: Designed to work with single-line analog phone lines

SECO-LARM® U.S.A., Inc.

16842 Millikan Avenue, Irvine, CA, 92606

Phone: (949) 261-2999 | (800) 662-0800 Fax: (949) 261-7326

Website: www.seco-larm.com Email: sales@seco-larm.com

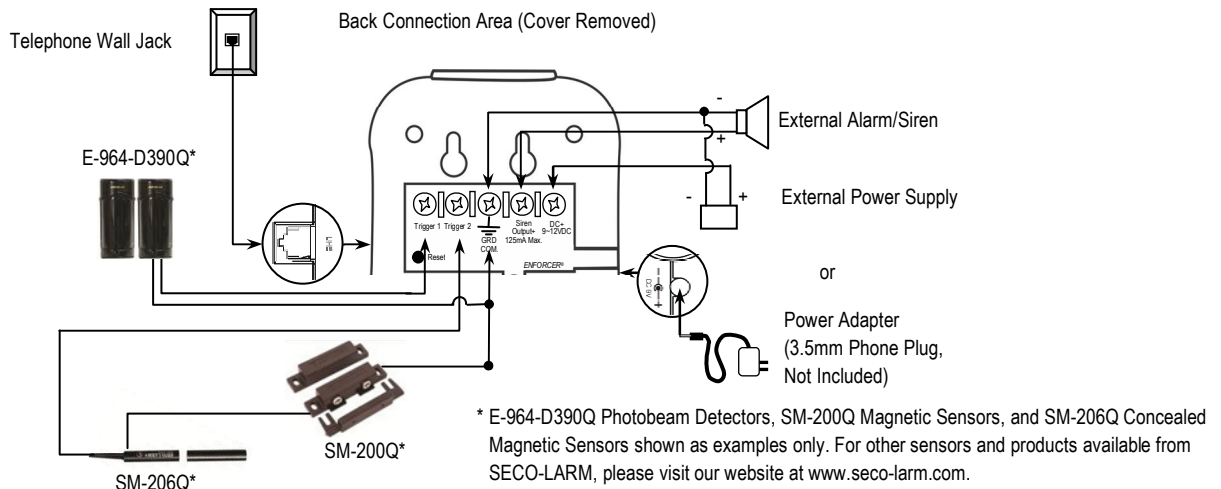


Copyright © 2017 SECO-LARM U.S.A., Inc. All rights reserved. All trademarks are the property of SECO-LARM U.S.A., Inc. or their respective owners. The SECO-LARM policy is one of continual development. For that reason, SECO-LARM reserves the right to change prices and specifications without notice. SECO-LARM is not responsible for misprints.

SECO-LARM® ENFORCER® CRIMEBUSTER® CBA® SLI®

PI_E-921APQ_170927.docx

Wiring Diagram:



Specifications:

Operating voltage		9~12 VDC
Current draw max. (at 12VDC)	Standby	5mA
	Dialing	10mA
	Alarm on	180mA
	Total	310mA
Programmable emergency phone numbers		5
Maximum digits per telephone number		32
Backup battery type/life (not included)		9VDC/≈20h
Alarm sound level at 12" (30cm)		≥105dB
Trigger inputs		2x N.C. Trigger
Trigger input timer		≥500ms
Auxiliary output current (max.)		125mA
Operating temperature		32°~104° F (0°~40° C)
Storage temperature		-4°~140° F (-20°~60° C)
Dimensions		3 ³ / ₈ "x4 ⁵ / ₁₆ "x1 ⁷ / ₈ " (86x110x47 mm)
Weight		6.2-oz (175g)

Also Available from SECO-LARM®:



Door/Window Switches,
Magnetic Contacts, etc.



LED Strobe Light
SL-1301-BAQ



Voice Dialer
E-921CPQ



Shock/Vibration Sensor
SS-040Q



Tamper Switch
SS-072Q



Photobeam Sensor
E-931-S35RRQ

SECO-LARM® U.S.A., Inc.

16842 Millikan Avenue, Irvine, CA, 92606

Phone: (949) 261-2999 | (800) 662-0800 Fax: (949) 261-7326

Website: www.seco-larm.com Email: sales@seco-larm.com



Copyright © 2017 SECO-LARM U.S.A., Inc. All rights reserved.

All trademarks are the property of SECO-LARM U.S.A., Inc. or their respective owners.

The SECO-LARM policy is one of continual development. For that reason, SECO-LARM reserves the right to change prices and specifications without notice. SECO-LARM is not responsible for misprints.

SECO-LARM® ENFORCER® CRIMEBUSTER® CBA® SLI®

PI_E-921APQ_170927.docx