

Voice Dialer

E-921CPQ

When triggered by an alarm system, the ENFORCER Voice Dialer can call up to 5 numbers and deliver a user-recorded 20-second voice message, playing repeatedly for one minute. The receiver can then listen in or broadcast a message to the room occupants or can disarm the system. The dialer includes a home mode (acting like a door chime when the owner is present) and a panic button. The 105dB built-in siren alarm can be programmed on or off.

Features:

- Trigger-activated alarm and dialer with user-programmable 20-second alarm message.
- 16-Digit large display with date/time and function icons
- 3 Triggers (1 N.C., 2 NO/NC) for multiple zone security
- Call in at any time to listen in to room, broadcast to room, arm, and disarm dialer
- Listen in, broadcast messages to room, and/or disarm during dialer call out
- Programmable PIN number and entry delay timing
- 5 Programmable emergency telephone numbers (up to 32 digits each)
- Home mode function (acts as a door chime when user is home)
- Panic button
- Back-lit keypad
- Built-in flash memory to protect against system data loss in case of power failure
- 9V Battery backup (battery not included)
- Low-battery indicator for back up battery (battery not included)
- DC power input jack (power adapter not included)
- Wall-mountable
- Built-in 105dB alarm (with programmable alarm on/off)
- Built-in auxiliary output for external alarm or siren
- Built-in line seizure

NOTE: Designed to work with single-line analog phone lines

SECO-LARM® U.S.A., Inc.

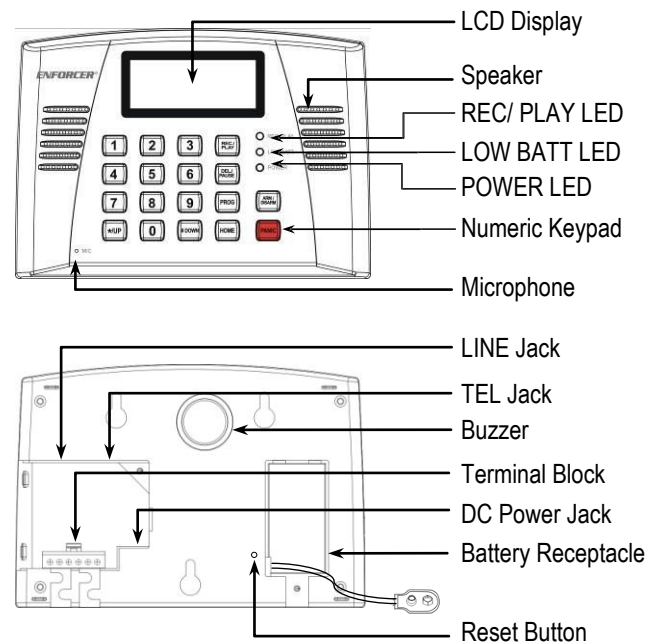
16842 Millikan Avenue, Irvine, CA, 92606

Phone: (949) 261-2999 | (800) 662-0800 Fax: (949) 261-7326

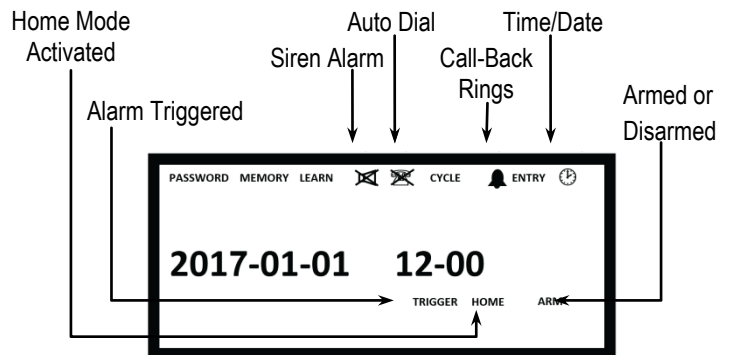
Website: www.seco-larm.com Email: sales@seco-larm.com



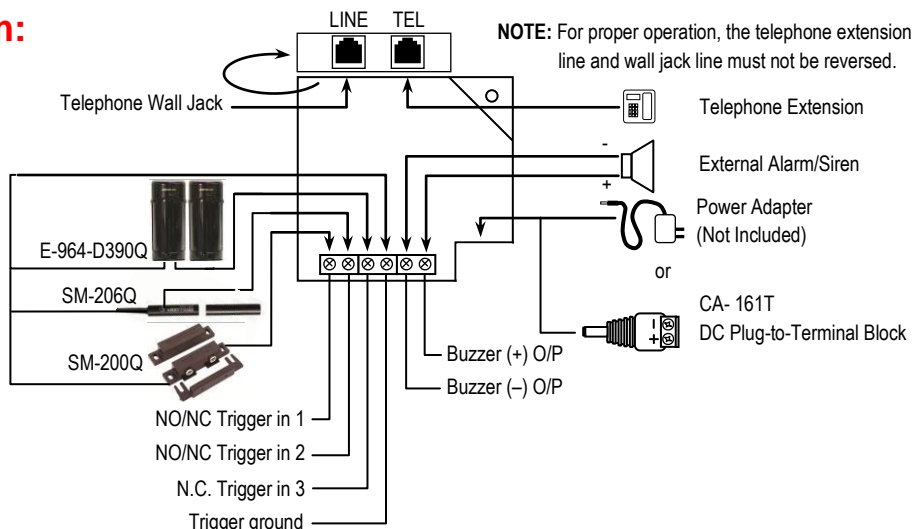
Overview:



LCD Screen Layout:



Wiring Diagram:



Specifications:

Operating voltage		9~12 VDC
Current draw max. (at 12VDC)	Standby	5mA
	Dialing	20mA
	Alarm on	150mA
	Relay on	50mA
	Speaker on	250mA
	Total	480mA
Emergency voice message length (user recorded)		Up to 20s
Programmable emergency phone numbers		5
Maximum digits per telephone number		32
Backup battery type/life (not included)		9VDC/≈20h
Alarm sound level at 12" (30cm)		≥105dB
Trigger inputs	Triggers 1 and 2	NO/NC Trigger (auto-detected)
	Trigger 3	N.C. Trigger
Trigger input timer		≥500ms
Auxiliary output current (max.)		125mA
Operating temperature		32°~104° F (0°~40° C)
Storage temperature		-4°~140° F (-20°~60° C)
Dimensions		11.15-oz (316g)
Weight		6 ¹¹ / ₁₆ "x4 ¹¹ / ₁₆ "x1 ¹ / ₂ " (170x119x38 mm)

Also Available from SECO-LARM®:



Door/Window Switches,
Magnetic Contacts, etc.



LED Strobe Light
SL-1301-BAQ



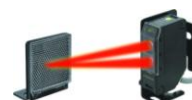
Auto Dialer
E-921APQ



Shock/Vibration Sensor
SS-040Q



Tamper Switch
SS-072Q



Photobeam Sensor
E-931-S35RRQ

SECO-LARM® U.S.A., Inc.

16842 Millikan Avenue, Irvine, CA, 92606

Phone: (949) 261-2999 | (800) 662-0800 Fax: (949) 261-7326

Website: www.seco-larm.com Email: sales@seco-larm.com



Copyright © 2017 SECO-LARM U.S.A., Inc. All rights reserved.

All trademarks are the property of SECO-LARM U.S.A., Inc. or their respective owners. The SECO-LARM policy is one of continual development. For that reason, SECO-LARM reserves the right to change prices and specifications without notice. SECO-LARM is not responsible for misprints.

SECO-LARM® ENFORCER® CRIMEBUSTER® CBA® SLI®

PI_E-921CPQ_170927_SLI.docx