

## Single-Gang Mortise Cylinder Key Switch

**SD-72031-6MQ** Maintained On/Off

**SD-72081-6MQ** Momentary

If a keypad or proximity card reader fails to activate an electronic lock, the user can switch between normally closed (N.C.) and normally open (N.O.) contacts using the Single-Gang Mortise Cylinder Key Switches (available with either momentary or maintained outputs), forcing the door to open. This acts as a backup for access control systems, so that the system does not rely on the integrity of a single device.

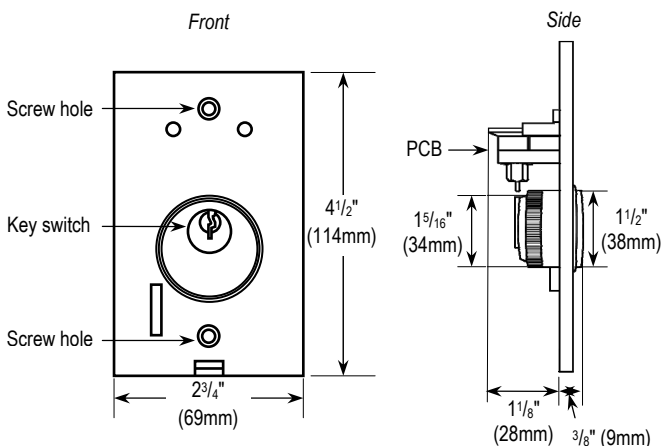
### Features:

- Keyed mortise cylinder (2 keys included)
- Mortise cylinder removable for ease of keying
- Flush mount with vandal-resistant screws
- Chrome-plated aluminum back plate fits to single-gang box
- Stainless steel front cover conceals mounting screws
- DPDT, 25A@24VAC contact rating
- Color-coded wires
- Maintained (SD-72031-6MQ) or momentary (SD-72081-6MQ) output

### Specifications:

Model	SD-72031-6MQ	SD-72081-6MQ
Switch Type	DPDT Switch	
Output	Maintained	Momentary
Contact Rating	25A@24VAC, NO/NC	
Dimensions	2 <sup>3</sup> / <sub>4</sub> "x4 <sup>1</sup> / <sub>2</sub> "x1 <sup>7</sup> / <sub>16</sub> " (69x114x37 mm)	

### Dimensions\*:

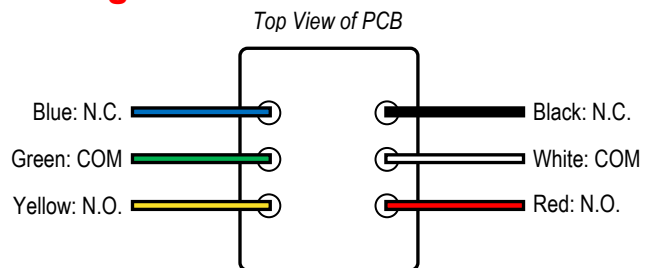


\*Note: Shown without cover.

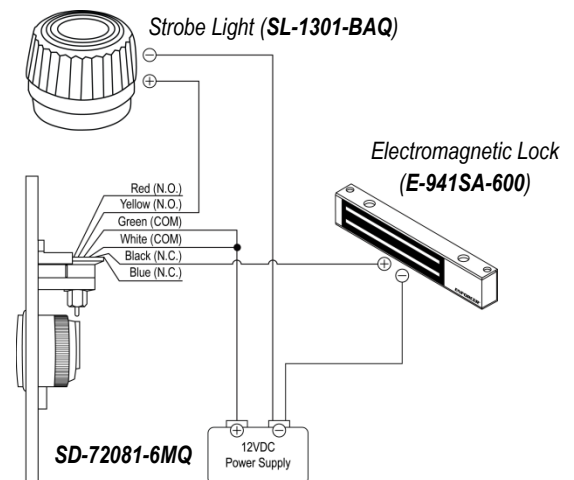
\*\*Note: Sample application is for momentary output. If maintained output is required then use the SD-72031-6MQ instead.



### Wiring:



### Sample Application\*\*:



**SECO-LARM® U.S.A., Inc.**

16842 Millikan Avenue, Irvine, CA 92606

Phone: (949) 261-2999 | (800) 662-0800 Fax: (949) 261-7326

Website: [www.seco-larm.com](http://www.seco-larm.com) Email: [sales@seco-larm.com](mailto:sales@seco-larm.com)



Copyright © 2019 SECO-LARM U.S.A., Inc. All rights reserved.

All trademarks are the property of SECO-LARM U.S.A., Inc. or their respective owners. The SECO-LARM policy is one of continual development. For that reason, SECO-LARM reserves the right to change prices and specifications without notice. SECO-LARM is not responsible for misprints.

**SECO-LARM® ENFORCER® CRIMEBUSTER® CBA® SLI®**

PI\_SD-720x1-6MQ\_190702.docx