

Indoor IR Domes

- EV-2221-N3BQ** 420 TV lines, 3.6mm lens
- EV-2221-NKBQ** 420 TV lines, 2.8~11mm lens
- EV-2801-N3BQ** 540 TV lines, 3.6mm lens
- EV-2801-NKBQ** 540 TV lines, 2.8~11mm lens

Features:

- ▶ 1/3" Sony Super HAD II CCD
- ▶ 18 IR LEDs: Up to 65ft (20m) range
- ▶ CDS sensor for LED control
- ▶ 3-Axis gimbal for wall or ceiling mounting
- ▶ Low current draw
- ▶ Auto Gain Control and White Balance
- ▶ 420 or 540 TV lines available
- ▶ Lightweight: 10-oz (283g)

EV-2221-NKBQ and EV-2801-NKBQ also feature:

- ▶ DC Auto Iris

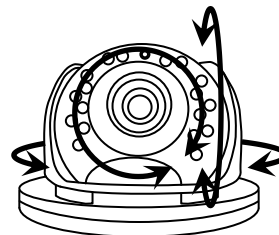
Specifications:

Model	2221-N3BQ	2221-NKBQ	2801-N3BQ	2801-NKBQ
Type	Indoor IR Dome Camera			
CCD	1/3" SONY Super HAD II			
Resolution	420 TV lines		540 TV lines	
Lens	3.6mm	2.8~11mm DC Auto Iris	3.6mm	2.8~11mm DC Auto Iris
# of IR LEDs	18 (850nm)			
IR range	65ft (20m)			
Pickup elements	510x492 pixels		768x494 pixels	
Sync	Internal			
Video output	1.0Vp-p composite video, 75Ω			
Minimum illumination	0-lux (LEDs ON)			
S/N ratio	>48dB			
Shutter control	Auto Electric Shutter			
Gain control	Auto			
White balance	Auto			
Operating voltage	12VDC ±10%			
Current draw	LEDs OFF	100mA		
	LEDs ON	250mA		
Operating temperature	-4 ~122 F (-20 ~50 C)			
Dimensions	5 1/4" x 3 3/4" (133x95 mm)			
Weight	10-oz (283g)			

Note: PAL models also available as a special-order item. Contact SECO-LARM for details.

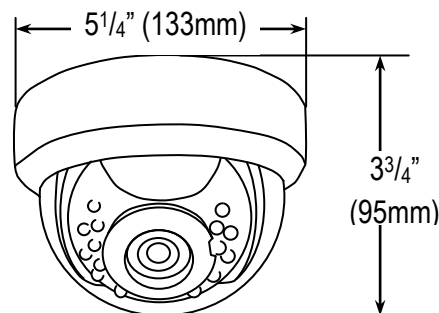


3-Axis Gimbal:



Move the camera along its 3 axes to adjust the pan, tilt, or rotation.

Dimensions:



SECO-LARM
16842 Millikan Avenue
Irvine, CA 92606

Tel: 1-949-261-2999
1-800-662-0800
Fax: 1-949-261-7326

Web: www.seco-larm.com
Email: info@seco-larm.com

CE 
Copyright © 2011
SECO-LARM U.S.A., Inc.
All rights reserved