

Flush-Mount Outdoor Access Keypad

SK-1123-FQ 110 Users, 2 Outputs, Weatherproof

Features:

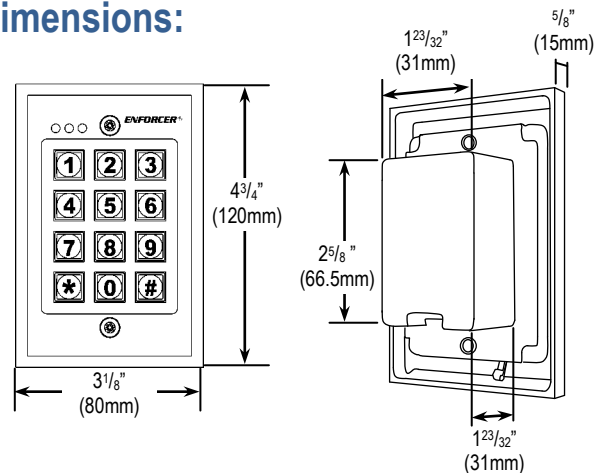
- ▶ 110 Users (Output #1: 100 users, Output #2, 10 users).
- ▶ 2 Outputs:
 - Output #1 – Form C relay, 5A@30VDC.
 - Output #2 – Transistor ground, 100mA@24VDC.
- ▶ Relay can be programmed for momentary (1 ~ 999 seconds) or latch.
- ▶ Programmable LED keys: Full-time ON, ON when keys are pressed, Full-time OFF; suitable for solar applications.
- ▶ Code flexibility: Each code can be 4~8 digits long.
- ▶ Egress input for exiting the protected premises.
- ▶ Backlit keys for easy nighttime use.
- ▶ Dual voltage: 12~24 VDC/VAC operation.
- ▶ Tamper switch: N.C. dry contact, 3A @ 12VDC.
- ▶ Mantrap: For a protected area with two doors, this feature allows only one door to be open at any time.
- ▶ All features are programmed directly from the keypad.
- ▶ Duress output: Signals a silent alarm if an authorized user is forced to open the door under duress.
- ▶ Door-forced-open and door-propped-open alarm output.
- ▶ Door-hold-open mode available.
- ▶ Keypad can be programmed to emit beeps for key presses or operate in silent mode.
- ▶ Auto or manual code entry checking:
 - Auto: # Key is not required after each code.
 - Manual: # Key must be pressed after every code.



Specifications:

Operating voltage		12~24 VDC/VAC
Current draw	Stand-by	10mA @ 12VDC
	Key pressed	45mA @ 12VDC
	Relay active	100mA @ 12VDC
Number of outputs		2
Relay output		5A@30VDC, Form "C", NO/NC/COM
Transistor Ground Output		100mA@24VDC
Egress		N.O. ground
Door sensor input		N.C. ground
Dimensions		4 ³ / ₄ " x 3 ¹ / ₈ " x 1 ¹⁵ / ₁₆ " (120x80x46 mm)
Weight		11-oz (300g)

Dimensions:



SECO-LARM[®]
 16842 Millikan Avenue
 Irvine, CA 92606

Tel: 1-949-261-2999
 1-800-662-0800
 Fax: 1-949-261-7326

Web: www.seco-larm.com
 Email: info@seco-larm.com

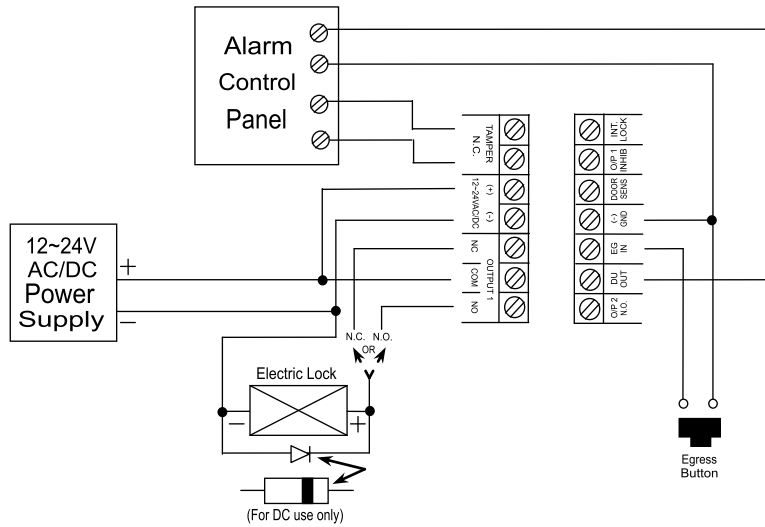


Copyright © 2010
 SECO-LARM U.S.A, Inc.
 All rights reserved

Flush-Mount Outdoor Access Keypad



Sample Wiring:



Status Buzzer and LEDs:

Red LED

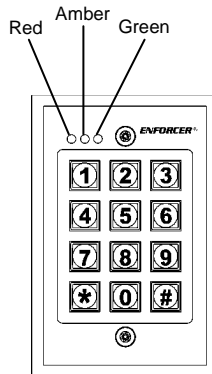
Illuminates while output #2 is activated.

Amber LED

Flashes to show the keypad status (see chart).

Green LED

Illuminates while output #1 is activated.



STATUS	BUZZER TONES	AMBER LED FLASHES
In programming mode	---	ON
Successful key entry	1 beep	1 flash
Successful code entry	2 beeps	2 flashes
Unsuccessful code entry	5 beeps	5 flashes
DAP jumper not replaced	Continuous beeps	Continuous flashes
In standby mode	---	1 flash in 2-second intervals
Output relay activated	1-second beep	---

Also Available from SECO-LARM:

SK-1123-SQ

Outdoor Stand-Alone Keypad

- ▶ Weatherproof
- ▶ 110 Users
- ▶ 2 Relays
- ▶ Surface mount



SK-2323-SDQ

Mullion-Style Keypad

- ▶ Weatherproof
- ▶ 1,010 Users
- ▶ 2 Relays
- ▶ Prox-reader available



SK-1323-SDQ

Sealed-Environment Keypad

- ▶ Weatherproof
- ▶ 1,010 Users
- ▶ 2 Relays
- ▶ Prox-reader available



SK-1011-SQ

Indoor Stand-Alone Keypad

- ▶ Indoor use
- ▶ 100 Users
- ▶ 1 Relays



SK-1131-SQ

Illuminated Indoor Keypad

- ▶ Backlit Keys
- ▶ 120 Users
- ▶ 2 Relays



Proximity Cards or Tags

(Sold in packs of 10)



PR-K1S1-A

PR-K1K1-AQ

SECO-LARM®

16842 Millikan Avenue
Irvine, CA 92606

Tel: 1-949-261-2999
1-800-662-0800
Fax: 1-949-261-7326

Web: www.seco-larm.com
Email: info@seco-larm.com



Copyright © 2010
SECO-LARM U.S.A, Inc.
All rights reserved