

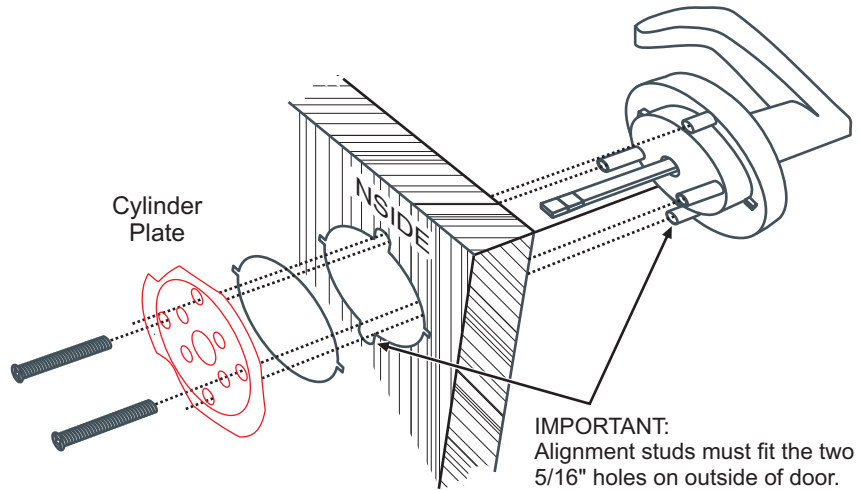
Installation Manual

ENFORCER

SD-962HL-4A

Locking Door Handle

- Use with SD-962AR-36A
- USD26D Finish
- Non-handed.
- Entry type.
- 2 Keys included.



IMPORTANT:
Alignment studs must fit the two 5/16" holes on outside of door. Removing the alignment studs will void the warranty.

WARRANTY: This SECO-LARM product is warranted against defects in material and workmanship while used in normal service for a period of one (1) year from the date of sale to the original customer. Our obligation is limited to the repair or replacement of any defective part if the unit is returned, transportation prepaid, to SECO-LARM.

SECO-LARM U.S.A., Inc.

16842 Millikan Avenue, Irvine, CA 92606
Tel: 800-662-0800 / 949-261-2999 Fax: 949-261-7326

Website: www.seco-larm.com
E-mail: sales@seco-larm.com

Made in Taiwan

PITSW6
ExitDeviceLeverTrimA4g.cdr



Cut or fold along the dotted line.

