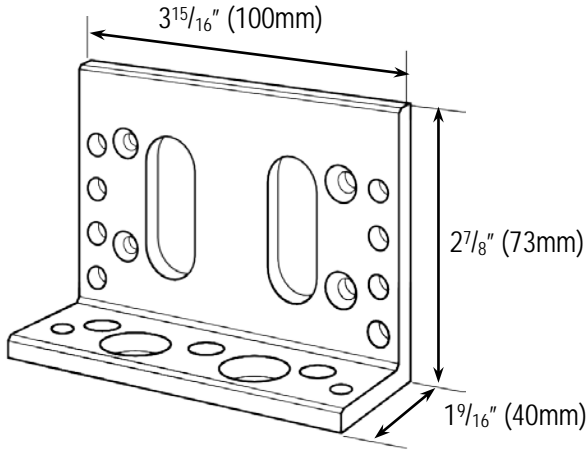


# ENFORCER®

## E-941E-1K2/LQ

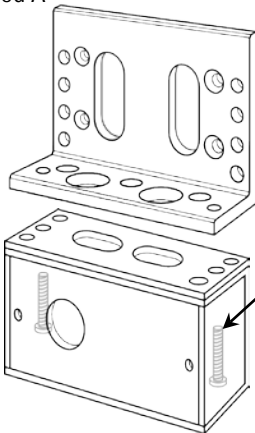
L-Bracket for  
E-941EC2-N1Q

Dimensions:

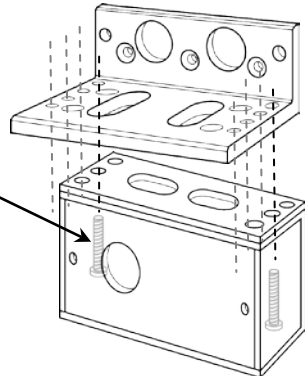


### Installation:

Method A



Method B (Choose your preferred spacing)



Hex Screw  
(inside housing)



## SECO-LARM®

16842 Millikan Ave, Irvine, CA 92606  
Tel: 949-261-2999 / 800-662-0800  
Fax: 949-261-7326

Website: [www.seco-larm.com](http://www.seco-larm.com)

Email: [sales@seco-larm.com](mailto:sales@seco-larm.com)

Order Part # 764-XXX%

ME-941E-1K2-LQ\_1303.docx