

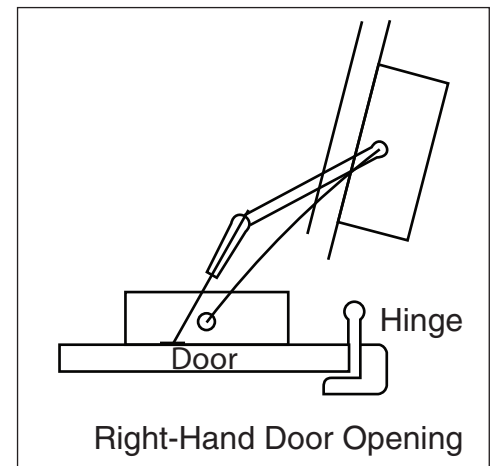
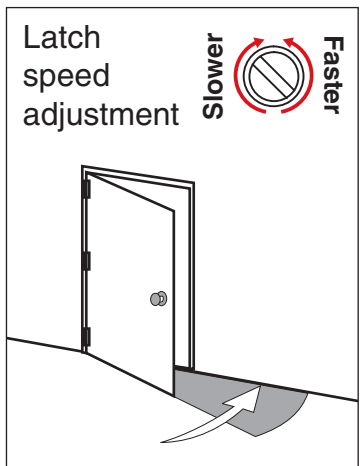
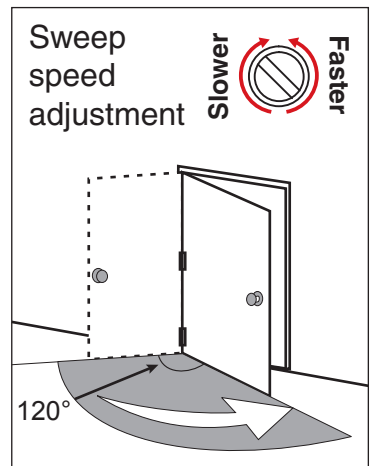
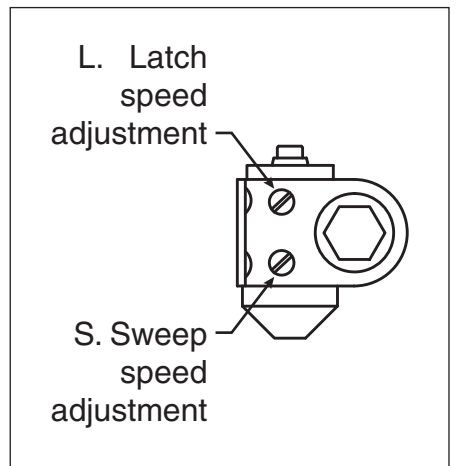
**INSTALLATION TEMPLATE  
FOR ENFORCER DOOR CLOSER**

Door Closer Standard Installation for Right-Hand Door

- Parts List:
- 1x Arm axle screw (M6\*10)
  - 4x Philips head wood screw (ST5.5\*30)
  - 2x Philips head wood screw (ST5.5\*20)
  - 4x Philips head machine screw (M5\*25)
  - 2x Philips head machine screw (M5\*15)
  - 1x Axle cover cap
  - 1x Closer body
  - 1x Closer arm

Note: Choose a mounting location ("A", "B", or "C") based on the width and weight of the door. Generally, smaller/lighter doors are mounted using "A" or "B", while larger/heavier doors are mounted using "B" or "C".

Location	Door Weight
A	Light Door
B	Medium Door
C	Heavy Door



© 2014 SECO-LARM U.S.A. Inc. All rights reserved. This material may not be reproduced or copied, in whole or in part, without the written permission of SECO-LARM.

WARRANTY This SECO-LARM product is warranted against defects in material and workmanship while used in normal service for a period of one (1) year from the date of sale to the original consumer customer.

SD-C131-SQ\_mounting\_template\_1406.ai

**SECO-LARM**  
www.seco-larm.com

**Model: SD-C131-SQ  
For Right-Hand Door**

- Parts List:
- 1x Arm axle screw (M6\*10)
  - 4x Philips head wood screw (ST5.5\*30)
  - 2x Philips head wood screw (ST5.5\*20)
  - 4x Philips head machine screw (M5\*25)
  - 2x Philips head machine screw (M5\*15)
  - 1x Axle cover cap
  - 1x Closer body
  - 1x Closer arm

Note: Choose a mounting location ("A", "B", or "C") based on the width and weight of the door. Generally, smaller/lighter doors are mounted using "A" or "B", while larger/heavier doors are mounted using "B" or "C".

Location	Door Weight
A	Light Door
B	Medium Door
C	Heavy Door

Model: SD-C131-SQ  
For Left-Hand Door

**SECO-LARM**  
www.seco-larm.com

