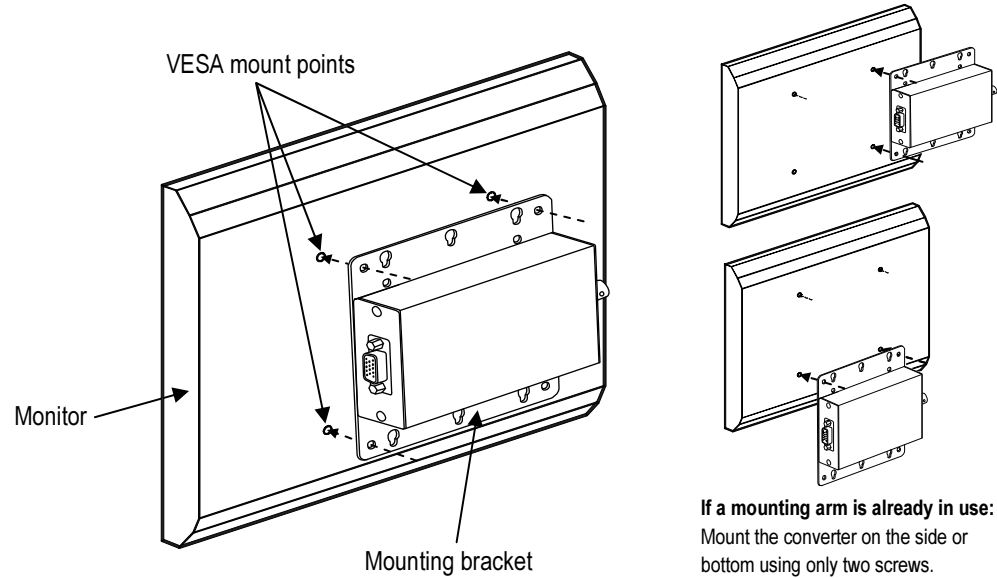


VESA Mount Bracket

Use the included bracket to mount the device on the rear of an LCD monitor.

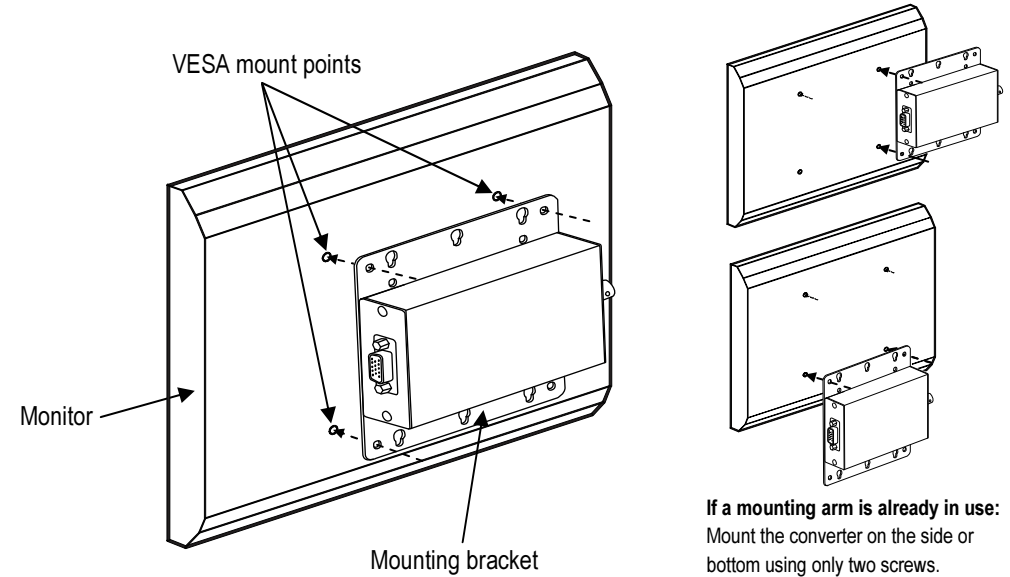
1. First attach the BNC to VGA converter to the mounting plate.
2. Attach the mounting plate to the VESA mount points on the rear of the monitor.
3. If a mounting arm or other product is already in use, connect the bracket either on one side or below using only two mounting screws.



VESA Mount Bracket

Use the included bracket to mount the device on the rear of an LCD monitor.

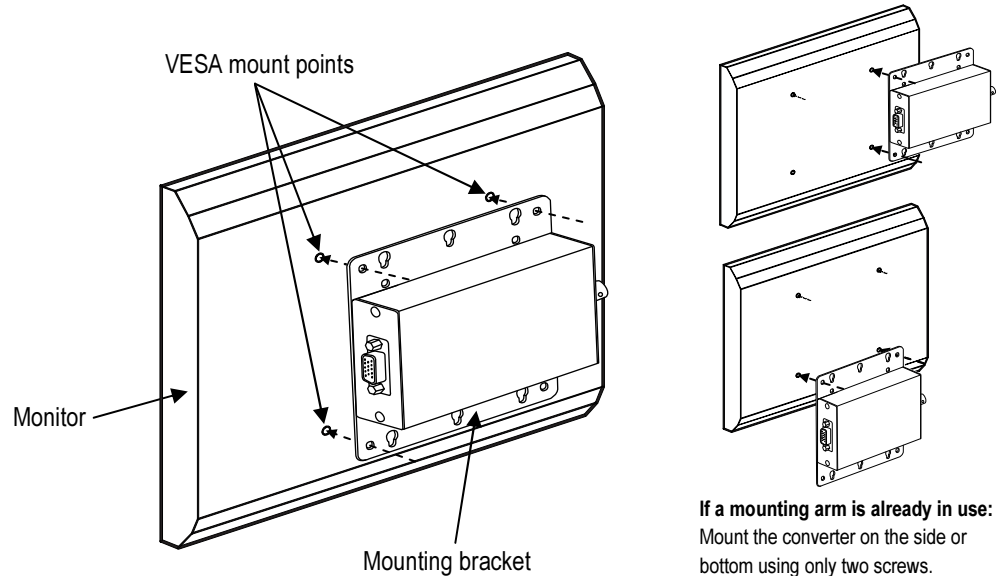
1. First attach the BNC to VGA converter to the mounting plate.
2. Attach the mounting plate to the VESA mount points on the rear of the monitor.
3. If a mounting arm or other product is already in use, connect the bracket either on one side or below using only two mounting screws.



VESA Mount Bracket

Use the included bracket to mount the device on the rear of an LCD monitor.

1. First attach the BNC to VGA converter to the mounting plate.
2. Attach the mounting plate to the VESA mount points on the rear of the monitor.
3. If a mounting arm or other product is already in use, connect the bracket either on one side or below using only two mounting screws.



VESA Mount Bracket

Use the included bracket to mount the device on the rear of an LCD monitor.

1. First attach the BNC to VGA converter to the mounting plate.
2. Attach the mounting plate to the VESA mount points on the rear of the monitor.
3. If a mounting arm or other product is already in use, connect the bracket either on one side or below using only two mounting screws.

