

Illuminated Vandal Resistant Push-To-Exit Plates

SECO-LARM's illuminated vandal-resistant push-to-exit plates come with dual-color field-selectable red/green, or green/red LEDs. Practical for a wide range of indoor and outdoor applications (IP65).

Features:

- ▶ Available in single-gang and slimline versions.
- ▶ Illuminated vandal-resistant 1" (25mm) push-button switch.
- ▶ Field-selectable dual color LED light.
- ▶ Equipped with 1 N.O. and 1 N.C. (DPST) switch.
- ▶ Switch contact rating – 5A@250VAC.
- ▶ "EXIT" and "SALIDA" silk-screened on plate.
- ▶ Weatherproof (IP65) for indoor/outdoor use.

Two Models to Choose:

SD-7275SGEX1Q

Single-Gang – Green/Red

SD-7175SGEX1Q

Slimline – Green/Red

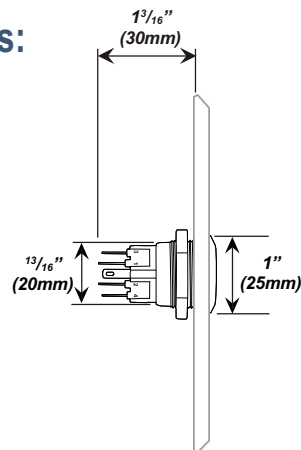


Single-Gang



Slimline

Dimensions:



Typical Installation:

