

4-Channel RF Transmitters & Receivers



SK-919TP4J-NU 4-Button Transmitter, Fixed-Code, Coded

SK-917TP4J-NU 4-Button Transmitter, CODEBUMP™



Thin design

2³/₈" x 1³/₈" x 9⁹/₁₆" (60 x 35 x 15 mm)

- Operates up to 500 feet. 315MHz.
- Over 68 billion (6.8 x 10¹⁰) possible codes
- LED transmission indicator.
- Includes 12VDC alkaline battery.
- Compatible with all SECO-LARM receivers.
- FCC certified.

SK-917TP4J-NU: Similar to SK-919TP4J-NU, but with patented CODEBUMP™ (see page 7).

SK-939TS4J-NU: Same as SK-919TP4J-NU, but 433.39MHz.

Hand-Held Transmitters: See page 9.

SK-910R4 4-Channel Receiver (11 to 24 VAC/VDC)



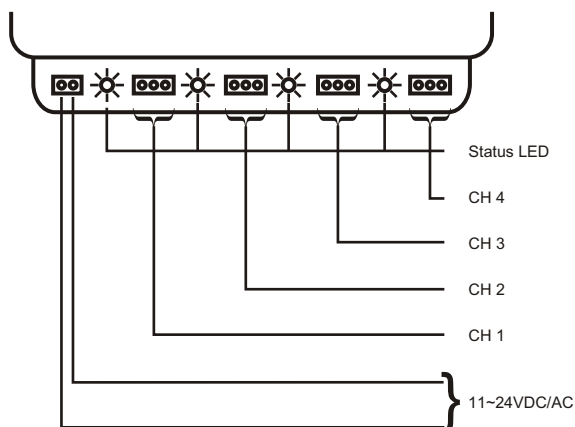
4³/₈" x 5⁵/₁₆" x 1¹/₈"
(111 x 135 x 28 mm)

- Controls home automation functions, garage doors, alarm panels, etc., from up to 500 feet.
- Similar to SK-910R & SK-910R2 except with 4 independently programmable outputs.
- Compatible with all SECO-LARM transmitters.
- Mode switch for easy programming.
- 4 LEDs, one per channel, indicate RF reception, learn mode, transmitter cleared, output type.

SK-910R4-4: Same as SK-910R4, but 433.39MHz.

Increase range with SECO-LARM's Extended Range Antenna. See page 7 for details.

Wiring:



Specifications	SK-910R4/SK-910R4-4
Operating Distance	Up to 500 feet (open air)*
Operating Temperature	-4°~162°F (-20°~72°C)
Operating Voltage	11-24 VDC/VAC
Current Draw	8mA @ 12VDC (standby), 45mA @ 12VDC (LED flashing)
Sensitivity	-87dBm (typical)
Data Format	PWM
RF Codes	18 quintillion (SK-917T2A-U, SK-917TP4J-NU); 68 billion (SK-919TD2A-UP, SK-919TD1S-UP, SK-919TT1S-BU, SK-919TP4J-NU, SK-919TP1H-BU, SK-919TP2H-NU, SK-919TP4H-NU)
Coded Channels	4
Stored Transmitter Codes	15 per channel, 60 per receiver
Receiver Outputs	4 x Form "C" dry relay contact (N.O./N.C./Com.); max. 10 Amp @ 24VDC
Receiver Output Modes	Programmable independent outputs: timed momentary (1, 2, 3, 4, 5, 10, 30, 60 sec.), toggle (ON/OFF), latched, validity**

**Validity: Receiver will output for as long as the transmitter button is pressed.
*Increase range with SECO-LARM's Extended Range Antenna. See page 7 for details.