

TROUBLE SHOOTING

The screen is blank	<ul style="list-style-type: none">• Check that the camera is powered up.• Check that the monitor is powered up.• Check that the video cable connecting the camera to the monitor is connected properly.
The screen image is dim	<ul style="list-style-type: none">• Clean the lens (using a soft, clean cloth).• Check that the light source is adequate.
The screen image has poor contrast	<ul style="list-style-type: none">• Adjust the monitor's contrast knob.• Change the position of the camera.
The screen image flickers	<ul style="list-style-type: none">• Change the position of the camera.
The screen image is distorted	<ul style="list-style-type: none">• Check "Focus" adjustment.• Change the position of the camera.
The camera case is hot	<ul style="list-style-type: none">• Check that the correct power supply is in use.

IMPORTANT Users and installers of this product are responsible for ensuring this product complies with all national, state, and local laws and statutes related to monitoring and recording audio and video signals. SECO-LARM will not be held responsible for the use of this product in violation of any current laws or statutes.

WARNING Stop using the camera if you see a malfunction like smoke or unusual heat, as it could cause fire or electric shock. Do not open the case of this device, as there are no field-serviceable components inside.

FCC COMPLIANCE STATEMENT Information to the user: This equipment has been tested and found to comply with the limits for a Class A digital device, pursuant to Part 15 of the FCC rules. These limits are designed to provide reasonable protection against harmful interference when the equipment is operated in a commercial environment. This equipment generates, uses and can radiate radio frequency energy and, if not installed and used in accordance with the instruction manual, may cause harmful interference to radio communications. Operation of this equipment in a residential area is likely to cause harmful interference in which case the user will be required to correct the interference at his own expense.

WARRANTY This SECO-LARM product is warranted against defects in material and workmanship while used in normal service for a period of one (1) year from the date of sale to the original consumer customer. SECO-LARM's obligation is limited to the repair or replacement of any defective part if the unit is returned, transportation prepaid, to SECO-LARM. This Warranty is void if damage is caused by or attributed to acts of God, physical or electrical misuse or abuse, neglect, repair, or alteration, improper or abnormal usage, or faulty installation, or if for any other reason SECO-LARM determines that such equipment is not operating properly as a result of causes other than defects in material and workmanship. The sole obligation of SECO-LARM, and the purchaser's exclusive remedy, shall be limited to replacement or repair only, at SECO-LARM's option. In no event shall SECO-LARM be liable for any special, collateral, incidental, or consequential personal or property damages of any kind to the purchaser or anyone else.

NOTICE

The information and specifications printed in this manual are current at the time of publication. However, the SECO-LARM policy is one of continual development and improvement. For this reason, SECO-LARM reserves the right to change specifications without notice. SECO-LARM is also not responsible for misprints or typographical errors.

Copyright © 2008 SECO-LARM U.S.A., Inc. All rights reserved. This material may not be reproduced or copied, in whole or in part, without the written permission of SECO-LARM.

SECO-LARM® U.S.A., Inc.

16842 Millikan Avenue, Irvine, CA 92606

Tel: 800-662-0800 / 949-261-2999 Fax: 949-261-7326

Website: www.seco-larm.com

E-mail: sales@seco-larm.com

PIKHR1

IMU_EV-133C-DWAVQ.pmd

ENFORCER[®] VIDEO

MANUAL

EV-133C-DWAVQ 1/3" CCD High-Res IR Bullet Camera with 56 LEDs, Split Glass Technology, and 550 TV Lines



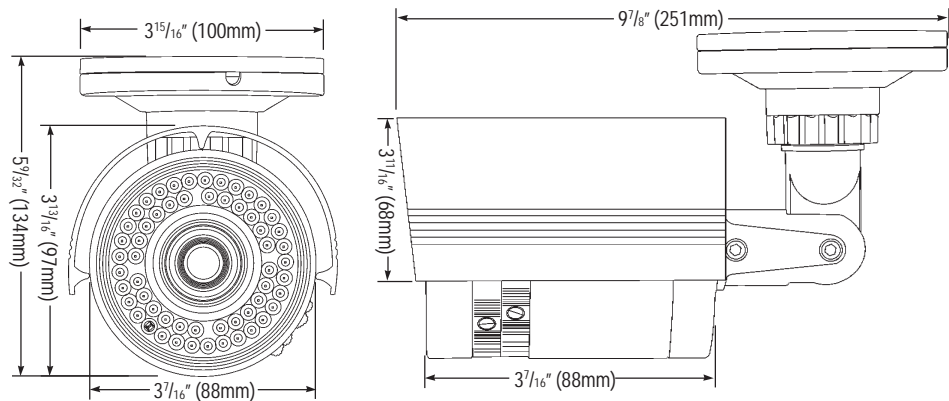
SLI[®]
SECO-LARM[®]



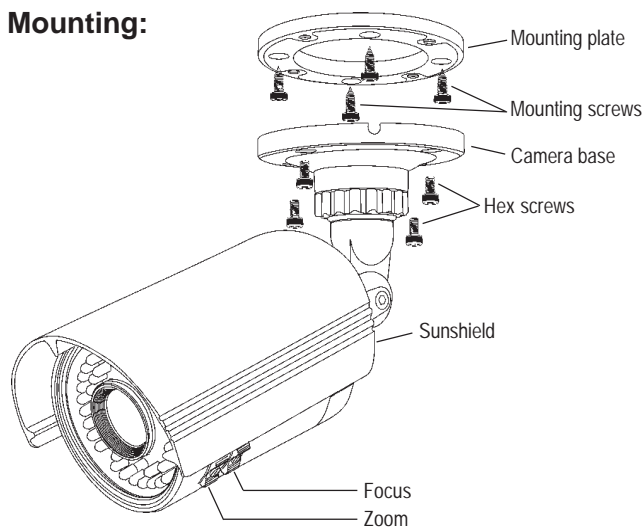
Specifications:

Type	Color camera
Chip	1/3" Sony Super HAD CCD
Resolution	550 TV lines
Pickup elements	768 x 494 pixels
Scanning system	NTSC 2:1 interlace
Sync	Internal
Video output	1V pp composite output, 75 ohms
Lens	DC Auto Iris, Varifocal 2.8mm ~ 12mm, F1.6
IR LEDs	56 IR LEDs
IR distance	Up to 100' (30m)
Minimum illumination	0.1 lux (IR off), 0 lux (IR on)
Gamma correction	0.45
S/N ratio	More than 50dB
CDS sensor	Photoconductive cells, 10 lux, Resistance 5~10k ohm
Shutter control	Auto
Backlight compensation	Off
Gain control	Auto
White balance	Auto
Power source	12VDC/24VAC (dual voltage)
Power consumption	900mA max. (IR on)
Storage temperature	-4°~140° F (-20°~60° C), humidity 95% max.
Operating temperature	14°~122° F (-10°~50° C), humidity 95% max.
Dimensions	3 ¹⁵ / ₁₆ " x 5 ⁹ / ₃₂ " x 9 ⁷ / ₈ " (100 x 134 x 251 mm)
Weight	3lb., 5oz. (1,500g)

Dimensions:



Mounting:



Parts List:

- 1 x Camera with bracket
- 1 x Mounting plate
- 1 x Sunshield
- 4 x Mounting screws
- 4 x Hex screws
- 1 x L-wrench

Before Starting

1. Please read this manual carefully and keep it for future reference.
 2. Use the camera within given temperature and electrical limits.
 3. Do not mount the camera where it is exposed to rain or other moisture, or in humid or dusty places.
 4. Do not point the camera at the sun. Heat could damage the camera, even when not in use.
 5. Do not mount the camera in areas exposed to radiation, strong magnetic fields, or strong electrical signals.*
 6. Do not open or disassemble the camera. There are no user-serviceable parts inside.
 7. Do not drop the camera or subject it to strong vibrations.
- * Note: Many video monitors produce strong electromagnetic fields close to the display CRT, especially when the monitor is turned on or during de-Gaussing, which occurs automatically with many monitors when the monitor is turned on.

Installation

1. Run a 12VDC or 24VAC power supply wire and a video cable with a male BNC connector through the wall to where the camera is to be mounted.
2. Temporarily connect the camera to the power supply.
3. Temporarily connect the camera's female BNC connector to the video cable's male BNC connector.
4. While watching the monitor, hold the camera against the wall or ceiling by hand where it is to be mounted, then turn the camera until it is certain that this mounting location is correct. Use a pencil to mark the location of the four screw holes in the mounting plate.
5. Disconnect the power supply and video cable.
6. Mount the mounting plate to the wall or ceiling using the four included mounting screws. If the wall is made of dry wall, brick, or similar material, it may be necessary to use screw anchors (not included).
7. Mount the camera base to the mounting plate using the four included hex screws.
8. Reconnect the power supply and video cable. Turn the monitor on, and make sure the camera is sending the proper video signal.
9. Adjust the camera angle.
10. Put the sunshield on the camera.
11. Do a final test of the video camera and monitor.