

ENFORCER VF Ball-Mount Indoor/Outdoor IR Camera Manual

TROUBLE SHOOTING

The screen is blank	<ul style="list-style-type: none"> • Check that the camera is powered up. • Check that the monitor is powered up. • Check that the video cable connecting the camera to the monitor is connected properly.
The screen image is dim	<ul style="list-style-type: none"> • Clean the lens (using a soft, clean cloth). • Check that the light source is adequate.
The screen image has poor contrast	<ul style="list-style-type: none"> • Adjust the monitor's contrast knob. • Change the position of the camera.
The screen image flickers	<ul style="list-style-type: none"> • Change the position of the camera.
The screen image is distorted	<ul style="list-style-type: none"> • Check "Focus" adjustment. • Change the position of the camera.
The camera case is hot	<ul style="list-style-type: none"> • Check that the correct power supply is in use.

IMPORTANT Users and installers of this product are responsible for ensuring this product complies with all national, state, and local laws and statutes related to monitoring and recording audio and video signals. SECO-LARM will not be held responsible for the use of this product in violation of any current laws or statutes.

WARNING Stop using the camera if you see a malfunction like smoke or unusual heat, as it could cause fire or electric shock. Do not open the camera, as there are no field-serviceable components inside.

FCC COMPLIANCE STATEMENT Information to the user: This equipment has been tested and found to comply with the limits for a Class A digital device, pursuant to Part 15 of the FCC rules. These limits are designed to provide reasonable protection against harmful interference when the equipment is operated in a commercial environment. This equipment generates, uses and can radiate radio frequency energy and, if not installed and used in accordance with the instruction manual, may cause harmful interference to radio communications. Operation of this equipment in a residential area is likely to cause harmful interference in which case the user will be required to correct the interference at his own expense.

WARRANTY This SECO-LARM product is warranted against defects in material and workmanship while used in normal service for a period of one (1) year from the date of sale to the original consumer customer. SECO-LARM's obligation is limited to the repair or replacement of any defective part if the unit is returned, transportation prepaid, to SECO-LARM.

This Warranty is void if damage is caused by or attributed to acts of God, physical or electrical misuse or abuse, neglect, repair, or alteration, improper or abnormal usage, or faulty installation, or if for any other reason SECO-LARM determines that such equipment is not operating properly as a result of causes other than defects in material and workmanship. The sole obligation of SECO-LARM, and the purchaser's exclusive remedy, shall be limited to replacement or repair only, at SECO-LARM's option. In no event shall SECO-LARM be liable for any special, collateral, incidental, or consequential personal or property damages of any kind to the purchaser or anyone else.

NOTICE

The information and specifications printed in this manual are current at the time of publication. However, the SECO-LARM policy is one of continual development and improvement. For this reason, SECO-LARM reserves the right to change specifications without notice. SECO-LARM is also not responsible for misprints or typographical errors.

Copyright © 2009 SECO-LARM U.S.A., Inc. All rights reserved. This material may not be reproduced or copied, in whole or in part, without the written permission of SECO-LARM.

SECO-LARM® U.S.A., Inc.

16842 Millikan Avenue, Irvine, CA 92606 Website: www.seco-larm.com
Tel: 800-662-0800 / 949-261-2999 Fax: 949-261-7326 E-mail: sales@seco-larm.com

IMUIRVandalBallMntLargeComsg.pmd

PICSN4

ENFORCER[®] VIDEO

MANUAL

Color Ball-Mount Vandal-Resistant, Indoor/Outdoor IR Dome Cameras with 4~9mm Varifocal Lens



EV-2706-NFGQ	Gray	540 TV Lines
EV-122C-DVAVQ	Gray	420 TV Lines

EV-2706-NFWQ	White	540 TV Lines
EV-122C-DVHVQ	White	420 TV Lines

SLI[®]
SECO-LARM[®]



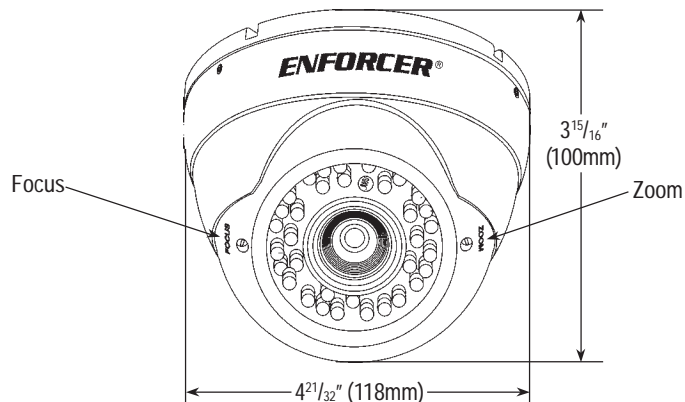
Note: Products with a model number that ends with "Q" or which have a round green "Q" sticker are RoHS compliant.

ENFORCER VF Ball-Mount Indoor/Outdoor IR Camera Manual

Specifications	EV-122C-DVAVQ (gray) EV-122C-DVHVQ (white)	EV-2706-NFGQ (gray) EV-2706-NFWQ (white)
Type	Ball-Mount Color Dome Camera	
Chip	1/3" CCD, Sony Super HAD	
Resolution	420 TV lines	540 TV lines
Pickup elements	510 x 492 pixels	768 x 494 pixels
Scanning system	2:1 interlace, V: 59.94Hz, H: 15.734KHz	
Sync	Internal	
Video output	1V p-p composite output, 75 ohms	
Lens	Varifocal 4mm~9mm, F1.6	
IR LEDs	36 LEDs (850nm)	
IR distance	Up to 100' (30m)	
Minimum illumination	0.05 lux (0 lux with IR on)	0.02 lux (0 lux with IR on)
Gamma correction	0.45	
S/N ratio	>48dB	
Shutter control	Auto Electronic Shutter (AES), 1/60~1/100,000 sec.	
Automatic gain control	Auto	
White balance	Auto	
Power source	12VDC ±10%	
Power consumption	130mA (IR off), 380mA (IR on)	80mA (IR off), 340mA (IR on)
Operating temperature	4°~122° F (-20°~50° C)	
Enclosure	IP66 weatherproof	
Dimensions	4 ¹¹ / ₁₆ " x 3 ⁷ / ₈ " (119 x 98mm)	
Weight	1lb., 13oz. (820g)	
Cable length	34" (86cm)	

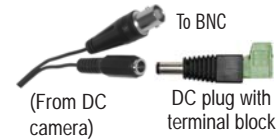
Dimensions:

(Use included small screwdriver to adjust zoom and focus.)



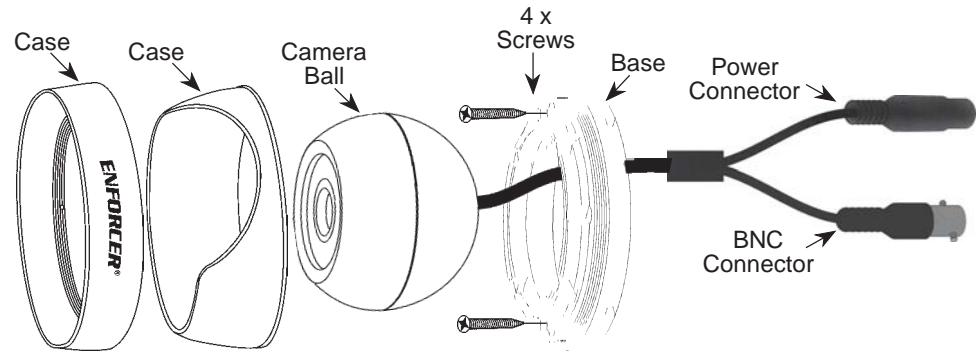
ENFORCER VF Ball-Mount Indoor/Outdoor IR Camera Manual

DC plug included.



Parts List

1 x Camera Ball	1 x Hex wrench
1 x Case	1 x Manual
1 x Base	1 x DC plug with screw terminal
4 x Screws with wall anchors	4 x Concealment stickers
1 x Small screwdriver	



Before Starting:

1. Please read this manual carefully and keep it for future reference.
 2. Use the camera within given temperature and electrical limits.
 3. While the camera is weatherproof to IP66 standard, do not mount the camera where it is exposed to rain or other moisture, or in humid or dusty places.
 4. Do not point the camera at the sun. Heat could damage the camera, even when not in use.
 5. Do not mount the camera in areas exposed to radiation, strong magnetic fields, or strong electrical signals.*
 6. Do not open or disassemble the camera. There are no user-serviceable parts inside.
 7. Do not drop the camera or subject it to strong vibrations.
- * **Note:** Many video monitors produce strong electromagnetic fields close to the display CRT, especially when the monitor is turned on or during de-Gaussing, which occurs automatically with many monitors when the monitor is turned on.

Installation:

1. Run a 12VDC power supply wire and a video cable with a male BNC connector through the wall to where the camera is to be mounted.
2. Loosen the set screws with the included hex wrench and unscrew the case from the base.
NOTE - The camera ball is NOT attached to the case or the base. It sits loose inside the case. Therefore, be very careful when removing the case from the base to not drop the camera ball.
3. Mount the base to the wall using the four included mounting screws. If the wall is made of dry wall, brick, or similar material, it may be necessary to use the included plastic screw anchors.
4. Run the camera's BNC and power connectors through the camera base, and connect to the video and power wires that were run through the wall.
5. Place the case over the camera ball and screw the outer ring clockwise 2-3 turns.
6. With the camera ball still loose, set your desired zoom/focus to cover the area you wish to protect.
7. Once the ball is pointing in the desired direction, tighten the outer case ring to secure the camera in its position.
8. Use the included small screwdriver to adjust the zoom and the focus of the camera ball if needed, via the holes marked "ZOOM" and "FOCUS" on the top of the camera ball.
9. Do a final test of the video camera and the monitor.
10. Apply the concealment stickers over the zoom and focus screws to prevent tampering.