

Additional Optional CCTV Connectors

CA-1526-1FQ	Single DC jack to double DC plug, 1' wire.
CA-1536-1FQ	Single DC jack to triple DC plug, 1' wire.
EVA-F5521-3	Female DC pigtail connector.
EVA-M5521-3	Male DC pigtail connector.
EVA-F5521-T	Similar to EVA-F5521-3, but with screw terminal connector.
CA-1616-Q	DC plug-to-plug adapter.
CA-1515-Q	DC jack-to-jack adapter.
CA-1615-06LQ	DC jack to DC plug with LED and 6" wire.
CA-1510-3FLQ	Male DC Jack with LED and 3' wire.
CA-1610-3FLQ	Female DC plug with LED and 3' wire.
CA-151T-02SQ	Male DC jack to terminal block, snap-in, 2.5" wire.
CA-161T-02SQ	Female DC plug to terminal block, snap-in, 2.5" wire.
CA-151T-02SLQ	Male DC jack to terminal block, snap-in, 2.5" wire, LED.
CA-161T-02SLQ	Female DC plug to terminal block, snap-in, 2.5" wire, LED.
CA-171T-02Q	RJ45 male to terminal block with 2" cable.

IMPORTANT Users and installers of this product are responsible for ensuring this product complies with all national, state, and local laws and statutes related to monitoring and recording audio and video signals. **SECO-LARM** will not be held responsible for the use of this product in violation of any current laws or statutes.

WARNING Stop using the illuminator if you see a malfunction like smoke or unusual heat, as it could cause fire or electric shock. Do not open the case of this device, as there are no field-serviceable components inside.

WARRANTY This SECO-LARM product is warranted against defects in material and workmanship while used in normal service for a period of one (1) year from the date of sale to the original consumer customer. SECO-LARM's obligation is limited to the repair or replacement of any defective part if the unit is returned, transportation prepaid, to SECO-LARM. This Warranty is void if damage is caused by or attributed to acts of God, physical or electrical misuse or abuse, neglect, repair, or alteration, improper or abnormal usage, or faulty installation, or if for any other reason SECO-LARM determines that such equipment is not operating properly as a result of causes other than defects in material and workmanship. The sole obligation of SECO-LARM, and the purchaser's exclusive remedy, shall be limited to replacement or repair only, at SECO-LARM's option. In no event shall SECO-LARM be liable for any special, collateral, incidental, or consequential personal or property damages of any kind to the purchaser or anyone else.

NOTICE

The information and specifications printed in this manual are current at the time of publication. However, the SECO-LARM policy is one of continual development and improvement. For this reason, SECO-LARM reserves the right to change specifications without notice. SECO-LARM is also not responsible for misprints or typographical errors.

Copyright © 2007 SECO-LARM U.S.A., Inc. All rights reserved. This material may not be reproduced or copied, in whole or in part, without the written permission of SECO-LARM.

SECO-LARM® U.S.A., Inc.

16842 Millikan Avenue, Irvine, CA 92606
Tel: 800-662-0800 / 949-261-2999 Fax: 949-261-7326

Website: www.seco-larm.com
E-mail: sales@seco-larm.com

 PITNW1
MilR_Illuminator.PMD

ENFORCER[®] VIDEO

MANUAL

VI-B1003-SBQ 24-LED IR Illuminator



Weatherproof

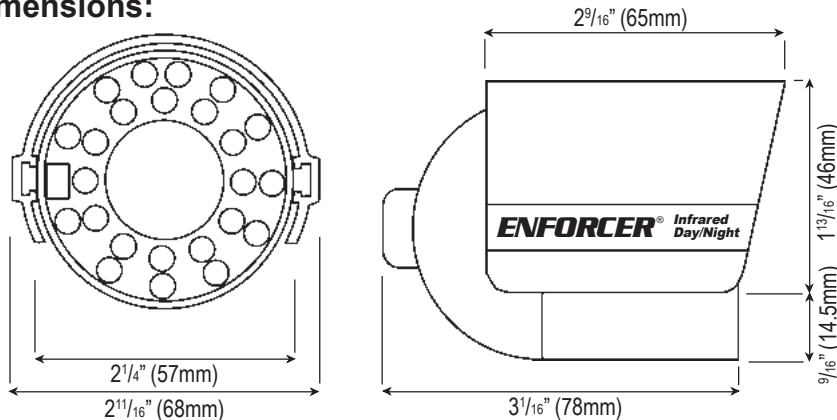
SLI[®]
SECO-LARM[®]

Specifications

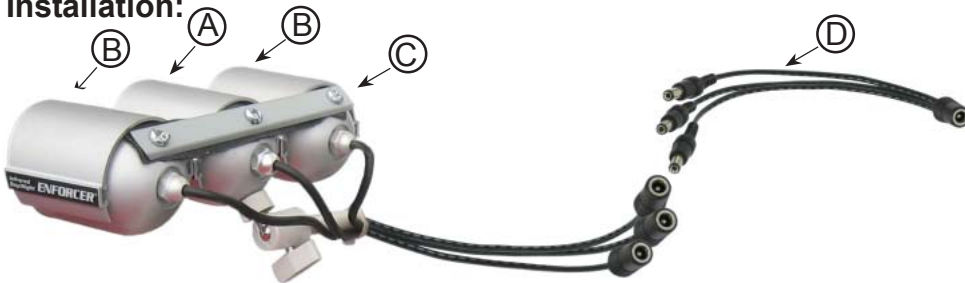
VI-B1003-SBQ

Type	IR Illuminator
Enclosure	IP67 weatherproof
# of infrared LEDs	24
Max. LED range	Up to 80 ft.
Illumination angle	35°
Power source	12VDC±10%
Power consumption	0.05mA (IR off), 210mA (IR on)
Operating temperature	14°~131° F (-10°~55° C)
Dimensions	3 ¹ / ₁₆ "(L) x 2 ¹ / ₁₆ "(D) (78 x 57 mm) (without sunshield)
Weight	16 oz. (454g)

Dimensions:



Typical Installation:



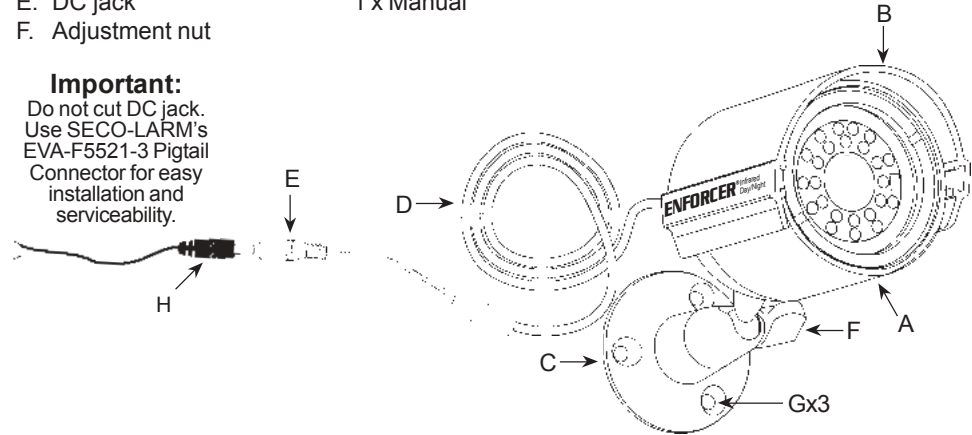
- A. 1 EV-1323C12DW (or most other IR Cameras) (sold separately)
- B. 2 VI-B1003-SBQ IR Illuminator (additional unit sold separately)
- C. 1 VB-CF1Q Bracket (sold separately)
- D. 1 CA-1536-1FQ (1 DC Jack to 3 DC Plugs.) (sold separately)

Parts List

- A. 1 x IR Illuminator
- B. 1 x Adjustable Sunshield
- C. 1 x Mounting bracket
- D. 36" cord
- E. DC jack
- F. Adjustment nut
- G. Mounting holes
- H. 1 x DC pigtail connector
- 3 x Mounting screws
- 3 x Screw anchors
- 1 x Manual

Important:

Do not cut DC jack. Use SECO-LARM's EVA-F5521-3 Pigtail Connector for easy installation and serviceability.



BEFORE STARTING

1. Please read this manual carefully and keep it for future reference.
 2. Use the illuminator within given temperature and electricity limits.
 3. Do not aim the LED light directly at the eyes when the LEDs are on.
 4. Do not mount the illuminator in areas exposed to radiation, strong magnetic fields, or strong electrical signals.*
 5. Do not open or disassemble the illuminator. There are no user-serviceable parts inside.
 6. Do not drop the illuminator or subject it to strong vibrations.
- * Note: Many video monitors produce strong electromagnetic fields close to the CRT, especially when the monitor is turned on or during de-Gaussing, which occurs automatically with many monitors when the monitor is turned on.

INSTALLATION

1. Run a 12VDC power supply wire through the wall to where the illuminator is to be mounted (if necessary).
2. Assemble the mounting bracket; then screw it into the back of the illuminator.
3. Hold the illuminator bracket against the wall by hand where it is to be mounted. Use a pencil to mark the location of the three screw holes in the bracket.
4. Mount the bracket to the wall using the three included mounting screws. If the wall is made of dry wall, brick, or similar material, it may be necessary to use the three included screw anchors.
5. Connect the 12VDC power supply.
6. Adjust the illuminator angle. Loosen and tighten the bracket's thumb screw to turn the illuminator and change its angle relative to the bracket. This ensures the illuminator is pointing in the right direction.
7. Tighten the bracket's thumb screw so that the illuminator does not move, but not so tight that it cracks the case or bracket.
8. Do a final test of the illuminator.

TROUBLE SHOOTING

- | | |
|-----------------------------|--|
| The illuminator case is hot | • Check that the correct power supply is in use. |
| IR LEDs do not turn on | • Check that the correct power supply is in use. |