

Door Closer Installation Manual

Specifications:

	SD-C141S
Door widths	Up to 42" (1.1m) wide
Door weight	Up to 143-lbs. (65kg.)
Door types	Metal or wood
Hand	Non-handed
Body	Anodized aluminum
Arm	Forged steel

WARNING: Incorrect mounting which leads to exposure to rain or moisture inside the enclosure could damage the device and void the warranty.

WARRANTY This SECO-LARM product is warranted against defects in material and workmanship while used in normal service for a period of one (1) year from the date of sale to the original consumer customer. SECO-LARM's obligation is limited to the repair or replacement of any defective part if the unit is returned, transportation prepaid, to SECO-LARM. This Warranty is void if damage is caused by or attributed to acts of God, physical or electrical misuse or abuse, neglect, repair, or alteration, improper or abnormal usage, or faulty installation, or if for any other reason SECO-LARM determines that such equipment is not operating properly as a result of causes other than defects in material and workmanship. The sole obligation of SECO-LARM, and the purchaser's exclusive remedy, shall be limited to replacement or repair only, at SECO-LARM's option. In no event shall SECO-LARM be liable for any special, collateral, incidental, or consequential personal or property damages of any kind to the purchaser or anyone else.

NOTICE: The information and specifications printed in this manual are current at the time of publication. However, the SECO-LARM policy is one of continual development and improvement. For this reason, SECO-LARM reserves the right to change specifications without notice. SECO-LARM is also not responsible for misprints or typographical errors. Copyright © 2010 SECO-LARM U.S.A., Inc. All rights reserved. This material may not be reproduced or copied, in whole or in part, without the written permission of SECO-LARM.

SECO-LARM® U.S.A., Inc.

16842 Millikan Avenue, Irvine, CA 92606

Tel: 800-662-0800 / 949-261-2999 Fax: 949-261-7326

Website: www.seco-larm.com

E-mail: sales@seco-larm.com

Made in Taiwan



SECO-LARM U.S.A., Inc.

Installation Manual

ENFORCER[®] **SD-C141S**

Door Closer

Features:

- Reversible non-handed design
- Metal or wood doors up to 42" wide
- Two valve adjustments (Sweep and Latch) for speed.
- Anodized aluminum body
- Silver finish
- Forged steel arms
- Includes hardware



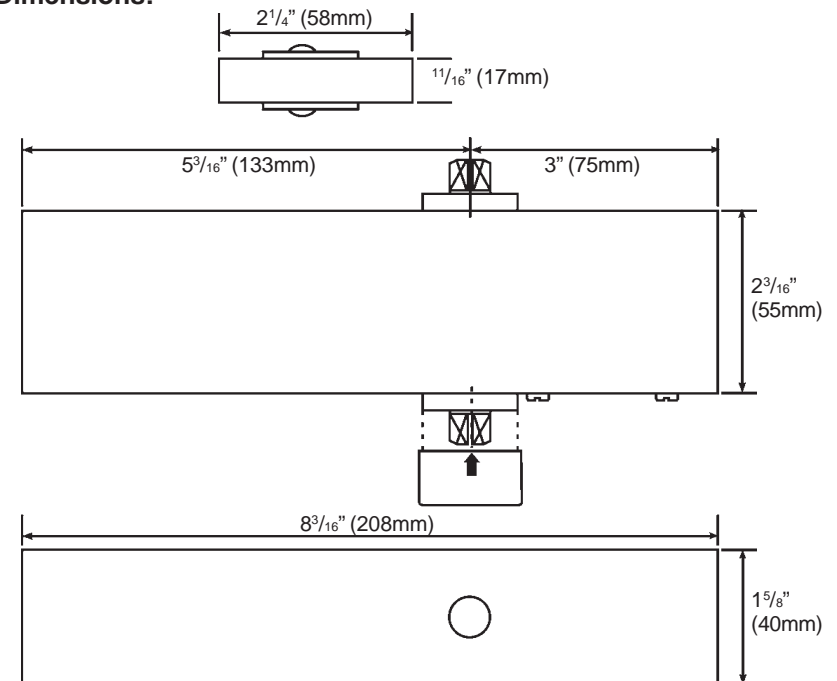
Caution:

A misadjusted door closer can cause damage or injury. Read the complete installation manual before you begin to insure correct installation.

What It Does:

SECO-LARM's SD-C141S Door Closer is designed to work on either left or right swinging doors. It has adjustable sweep and latch speed for more control over how fast the door swings.

Fig. 1 – Dimensions:



Door Closer Installation Manual

Fig. 2 – Parts List

- 2 x 3/16" UNC Arm Door Frame Bracket Screws
- 4 x 3/16" - 24 Door Closer Body Attachment Screws
- 1 x Arm Axle Screw
- 1 x Arm Assembly
- 1 x Axle Cap
- 1 x Cover Plate

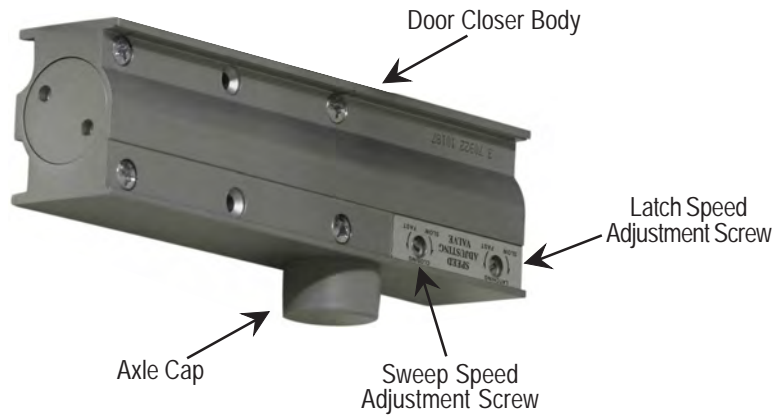
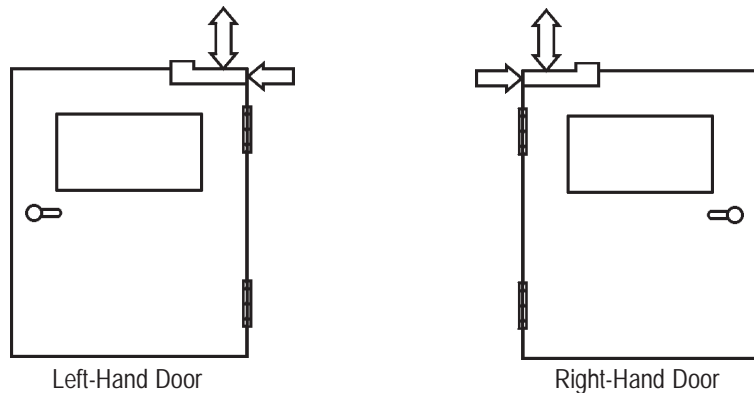


Fig. 3



Installation:

1. Determine the type of door swing (see Fig 3).
2. Select the appropriate template (Right Hand or Left Hand). Attach the template to the door.
3. Mark the mounting holes. 4 holes for the door closer body and 2 holes for the door frame arm bracket.
4. Drill pilot holes for the screws.
5. Attach the door closer to the door and frame.
6. Adjust the door closer (see caution at the front of the manual).

Door Closer Installation Manual

Adjustment:

1. Arm adjustment: (see Fig. 4).
 - Loosen jam nut on adjustment arm.
 - Thread arm in or out until adjustment arm is at 90 degree angle from the door frame.
 - Tighten jam nut.
2. Closing speed adjustment: (see Fig. 5)
 - Adjust sweep speed to the desired closing speed.
 - Adjust latch speed so that just before the door closes all the way it slows just before latching.

Fig. 4

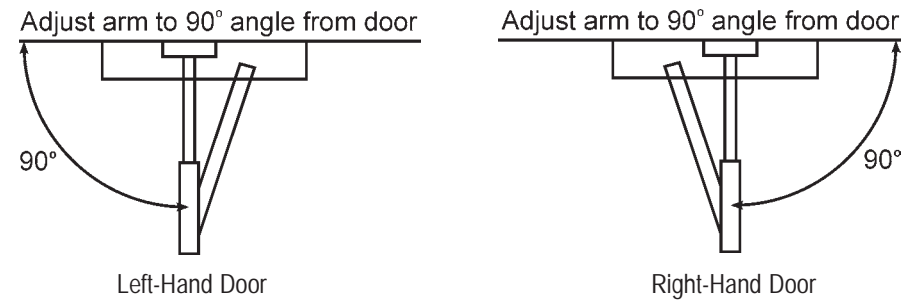
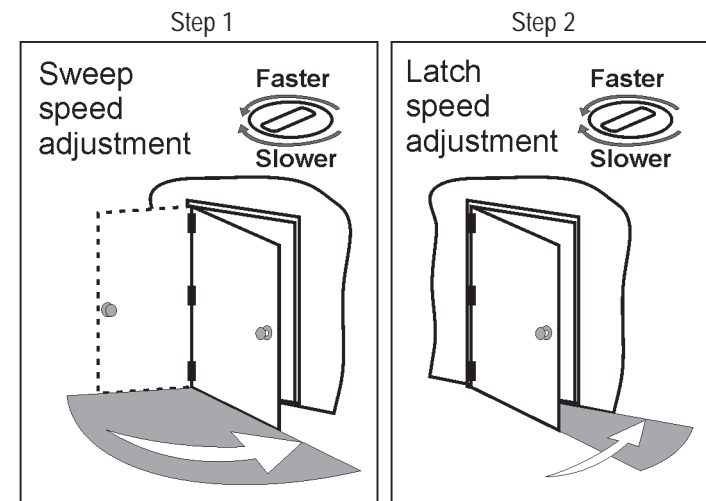


Fig. 5



Note: See template for location of adjustment screws.