

## Electromagnetic Lock

**E-941SA-1K2PD — 1,200 lb. (545kg)**

### Features:

- ▶ Holding force: 1200 lb. (545 kg).
- ▶ Anodized aluminum housing (US 28).
- ▶ Dual voltage: 12 or 24 VDC (selectable).
- ▶ No residual magnetism.
- ▶ Detachable faceplate.
- ▶ Adjustable mounting bracket.
- ▶ Built-in status sensor 3-amp dry relay output, for monitoring if door is opened or closed.
- ▶ Built-in 2-color LED shows lock/unlock status.
- ▶ Built-in timer to adjust the door relock time (1 to 78 seconds).
- ▶ MOV surge protection.
- ▶ Complete mounting hardware included.
- ▶ "L" brackets and "Z" brackets available for easy mounting.



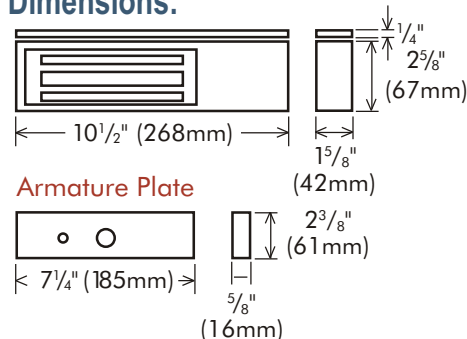
### Technical Specifications:

	E-941SA-1K2PD
Operating Voltage	12 or 24VDC
Holding Force	1200 lb. (545 kg)
Current Draw	500mA/12V, 250mA/24V
Voltage Tolerance	±10%
Temperature	14°~131° F (-10°~55° C)
Status Sensor	SPDT Relay: 3A@12VDC
Status LED (2-Color)	Locked (Green) Unlocked (Red)
Door Relock Timer	Adjustable 1-78 seconds
Weight (Approx.)	11 lb. (5kg)

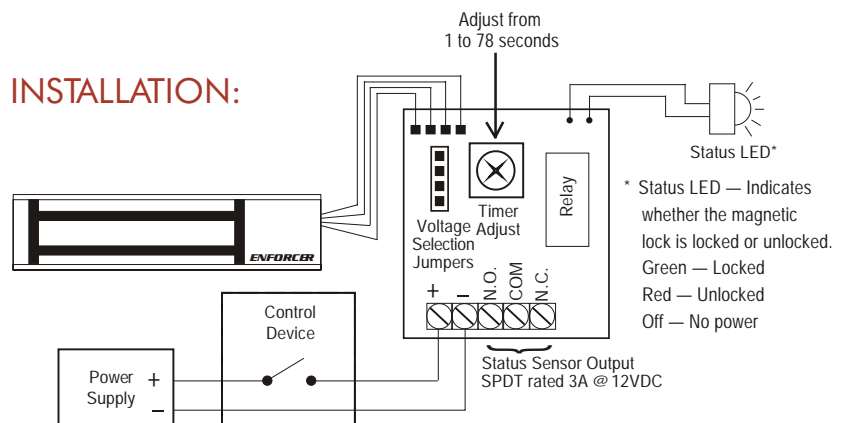
### NOW WITH:

- ➔ Status LED -- Lights green when the door is locked, red when the door is unlocked.
- ➔ Timer -- Adjusts the time it takes the door to relock from 1 to 78 seconds.
- ➔ Door lock monitor relay output (3-amp, N.O./N.C.) -- Remotely monitors the door lock/unlock status.

### Dimensions:



### INSTALLATION:



PI-E941SA-1K2PD.cdr

Copyright 2009 SECO-LARM U.S.A., Inc. Allrights reserved.

The SECO-LARM policy is one of continual development. For that reason, SECO-LARM reserves the right to change prices and specifications without notice. SECO-LARM is not responsible for misprints.