

## Multi-Axis Interior Ball-Mount Camera

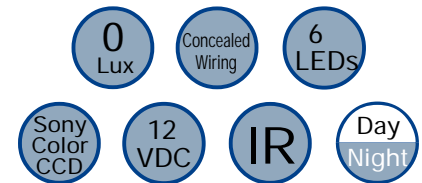
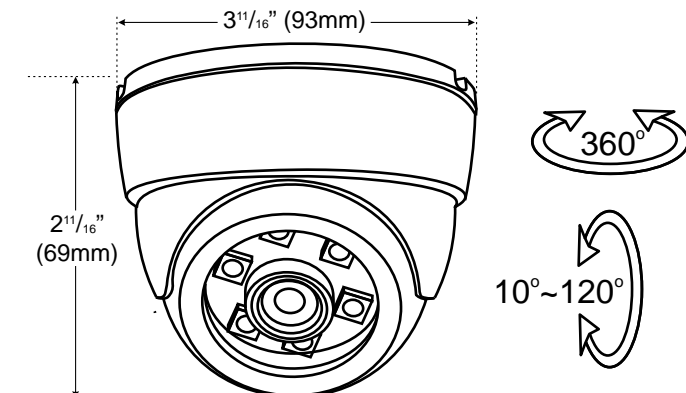
### EV-122C-DXA3Q

SECO-LARM's IR Day/Night Color Dome Camera with 6 IR LEDs provides a clear picture and outstanding resolution at a very low lux. The camera itself features a Sony 1/3" CCD chip with a 3.6mm lens and a multi-axis ball mount that allows 360° rotation and a 10°-120° tilt. Additional features include Auto Electronic Shutter, Auto Gain Control, Backlight Compensation, and Auto White Balance.

#### Features:

- ▶ Multi-axis ball mount for walls or ceiling mounting (360° rotation, 10°-120° tilt).
- ▶ Sony 1/3" Color CCD.
- ▶ Auto Electronic Shutter (AES), Auto Gain Control (AGC), Back Light Compensation, Auto White Balance.
- ▶ Light weight (6oz. (170g)).
- ▶ 50' (15m) IR range.
- ▶ 3.6mm lens. F1.2.
- ▶ 6 LEDs.

#### Dimensions:



#### Specifications:

	EV-122C-DXA3Q
Type	IR Color Ball-Mount Camera
Chip	1/3" Sony CCD
Resolution	420 TV lines horizontal
Pickup elements	510 x 492
Sync	Internal
Video output	1 Vp-p composite output, 75 Ohms
Lens	F1.2, 3.6mm
Minimum illumination	0.05 lux, 0 lux with IR LEDs on
Backlight compensation	Auto
Shutter control	Auto Electronic Shutter (AES), 1/60-1/100,000 sec.
Gain control	Automatic
Gamma correction	0.45
White balance	Auto, (2500°K-9500°K)
S/N ratio	>50dB
Power source	12VDC ±10%
Current consumption	IR on: 280mA, IR off: 100mA
Ambient temperature	14° ~ 122° F (-10° ~ 50° C)
IR Range	50' (15m)
IR LEDs	6

Copyright 2009 SECO-LARM U.S.A., Inc. All rights reserved.

The SECO-LARM policy is one of continual development. For that reason, SECO-LARM reserves the right to change prices and specifications without notice. SECO-LARM is not responsible for misprints.