

Multi-Axis Indoor Ball-Mount Camera

EV-122C-DXB3Q

Features:

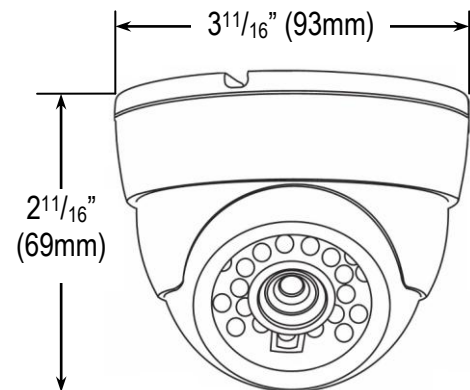
- ▶ Multi-axis ball mount for walls or ceiling mounting (360° rotation, 10°~120° tilt)
- ▶ 1/3" SONY Super HAD CCD
- ▶ Lightweight
- ▶ 50ft (15m) IR range
- ▶ 3.6mm lens
- ▶ 24 IR LEDs
- ▶ Split glass design to eliminate IR reflection
- ▶ Day/Night operation (0-lux with LEDs on)
- ▶ Wiring concealed in base to prevent tampering
- ▶ Small size: 3^{11/16}"x2^{11/16}"



Specifications:

		EV-122C-DXB3Q
CCD		1/3" Sony Super HAD II CCD
Resolution		420 TV lines
Pickup elements		510x492 pixels
Sync		Internal
Video output format		NTSC
Video output		1.0Vp-p composite video, 75Ω
Lens		F1.2, 3.6mm
Viewing angle		92°
Minimum illumination		0.05-lux, 0-lux with IR LEDs on
S/N ratio		>50dB
Power source		12VDC±10%
Gamma correction		0.45
Gain control		Automatic
Power source		12VDC±10%
Current draw	LEDs ON	200mA
	LEDs OFF	70mA
Operating temperature		14°~122° F (-10°~50° C)
Dimensions (LxWxH)		3 ^{11/16} "x2 ^{11/16} " (93x69 mm)
Weight		6-oz (170g)

Dimensions:



SECO-LARM

16842 Millikan Avenue
Irvine, CA 92606

Tel: 1-949-261-2999

1-800-662-0800

Fax: 1-949-261-7326

Web: www.seco-larm.com

Email: info@seco-larm.com



Copyright © 2010
SECO-LARM U.S.A., Inc.
All rights reserved