

The **Elite** Series Long-Range Bullet Camera EV-133C-DWBWQ

- ▶ 15 Hi-Intensity IR LEDs
- ▶ Up to 250 ft. (75m) Range
- ▶ 5 - 50mm Varifocal Lens
- ▶ Day/Night Weatherproof



15 Hi-Intensity Infrared LEDs
These LEDs illuminate the protected area with bright infrared light to a range of up to 250 ft. (75 meters), allowing a single EV-133C-DWBWQ camera to replace multiple cameras at many customer sites.



Split-Glass Design To Stop IR Reflection
Two separate panes of glass—one covering the lens, the other covering the LEDs—are separated by the lens hood to stop the LEDs' infrared light from reflecting off the glass and back into the lens.



DC Auto Iris Varifocal Lens
The focal length of the lens can be adjusted from 5mm to 50mm via a convenient adjustment screw under the camera. This allows the camera to be set to cover a wide area or focus in on a specific target.



Concealed Cabling Through The Camera Mount
The power and video cables are concealed in the mount between the camera and the mounting base in order to protect the cables and provide for a more attractive installation.

EV-133C-DWBWQ

Features:

- ▶ 1/3" Sony Super HAD CCD.
- ▶ 550 TV lines for high resolution.
- ▶ 15 Hi-Intensity IR LEDs: Up to 250 ft. (75m) range.
- ▶ Day/Night Operation (0 lux with LEDs on).
- ▶ DC auto iris varifocal 5 - 50mm lens.
- ▶ External adjustments for zoom and focus.
- ▶ Split-glass design to eliminate IR reflection.
- ▶ CDS sensor.
- ▶ Wiring concealed in bracket to prevent tampering.
- ▶ Weatherproof IP66 for outdoor use.
- ▶ Dual voltage: 12VDC or 24VAC.

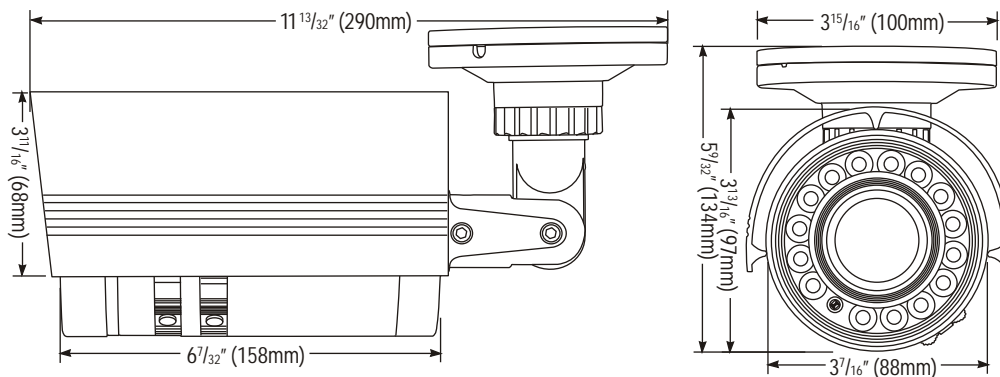
The SECO-LARM policy is one of continual development. For that reason, SECO-LARM reserves the right to change prices and specifications without notice. SECO-LARM is not responsible for misprints.



Specifications:

Type	Color camera
Chip	1/3" Sony Super HAD CCD
Resolution	550 TV lines
Pickup elements	768 x 494 pixels
Scanning system	NTSC 2:1 interlace
Sync	Internal
Video output	1V pp composite output, 75 ohms
Lens	DC Auto Iris, Varifocal 5mm ~ 50mm, F1.4
IR LEDs	15 high-power IR LEDs
IR distance	Up to 250' (76m)
Minimum illumination	0.1 lux (IR off), 0 lux (IR on)
Gamma correction	0.45
S/N ratio	More than 50dB
CDS sensor	Photoconductive cells, 10 lux, Resistance 5~10k ohm
Shutter control	Auto
Backlight compensation	Off
Gain control	Auto
White balance	Auto
Power source	12VDC/24VAC (dual voltage)
Power consumption	600mA max. (IR on)
Storage temperature	-4°~140° F (-20°~60° C), humidity 95% max.
Operating temperature	14°~122° F (-10°~50° C), humidity 95% max.
Dimensions	3 ¹⁵ / ₁₆ " x 5 ⁹ / ₃₂ " x 11 ⁷ / ₁₆ " (100 x 134 x 290 mm)
Weight	4lb., 7oz. (2,000g)

Dimensions:



Copyright 2008 SECO-LARM U.S.A., Inc. All rights reserved.

The SECO-LARM policy is one of continual development. For that reason, SECO-LARM reserves the right to change prices and specifications without notice. SECO-LARM is not responsible for misprints.

SECO-LARM®
16842 Millikan Avenue, Irvine, CA 92606

1.949.261.2999 (CA & Int'l)
Email: info@seco-larm.com

1.800.662.0800 Fax: 1.949.261.7326
Website: www.seco-larm.com

