

ENFORCER® VIDEO

12 LED IR Day/Night Color Weatherproof Cameras

EV-132C-DW2 - 2.9mm Lens

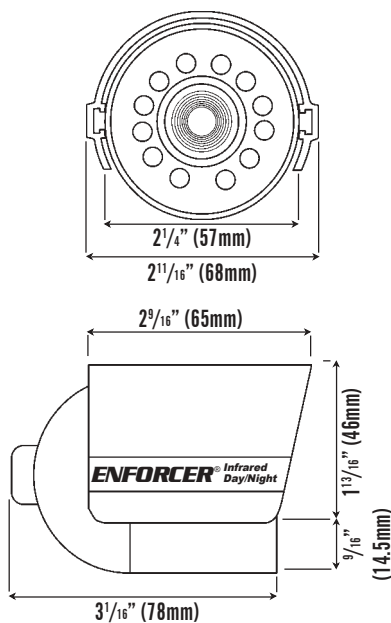
EV-1323C12DW - 4.3mm Lens

Features:

SECO-LARM's IR Day/Night Color Cameras with 12 IR LEDs incorporate the Sony CCD to provide a clear picture and outstanding resolution (420 TV lines) at a very low lux (0.1 lux LED off, 0 lux LED on). Both combine a rugged die-cast aluminum construction with a unique weatherproof (IP67) design and sunscreen for indoor or outdoor use.

Power consumption is very low: 60mA (LED off) and 160mA (LED on).

DIMENSIONS:



	EV-132C-DW2	EV-1323C12DW
Lens (F1.8)	2.9mm*	4.3mm*
View Angle	120°	78°
Type	Color IR Camera	
Chip	1/3" CCD, Sony	
S/N ratio	50dB (AGC off)	
Current consumption	60mA (LED off) 160mA (LED on)	
Resolution	420 TV lines horizontal	
Pickup elements	512 x 492 pixels	
Infrared Illumination	12 IR LEDs, projects up to 40 ft.	
Scanning system	Interlace 2:1	
Sync	Internal	
Video output	1 Vp-p composite output, 75 ohms	
Minimum illumination	0.1 LUX (LED off), 0 LUX (LED on)	
Backlight compensation	Auto	
Shutter control	Auto, 1/60 ~ 1/100,000 sec.	
Gain control	Auto	
Gamma correction	0.45	
White balance	Auto	
Power source	12VDC ± 10%	
Enclosure	IP 67 Weatherproof	
Ambient temperature	14° ~ 131° F (-10° ~ 55° C)	
Dimensions	3 1/16" (L) x 2 1/4" (D) (78 x 57 mm)	
Sunscreen & Bracket	Included	

*Also available: 6mm, 8mm, 12mm, 16mm versions with 24 LEDs.

EV-132Color.pmd

The SECO-LARM policy is one of continual development. For that reason, SECO-LARM reserves the right to change prices and specifications without notice. SECO-LARM is not responsible for misprints.

SECO-LARM® U.S.A., Inc.,
Tel: 1-949-261-2999 (California & International)

16842 Millikan Avenue, Irvine, CA 92606
Fax: 1-949-261-7326

Tel: 1-800-662-0800 (Domestic U.S. & Canada)
Email: info@seco-larm.com Website: www.seco-larm.com