

Ground Loop Isolator Balun for CCTV Equipment

EVT-PB1-VITGO

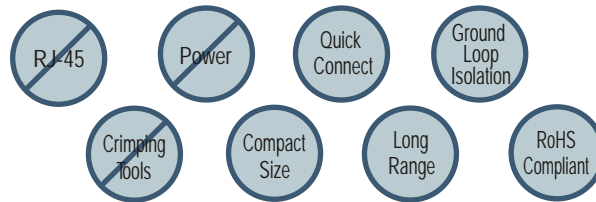
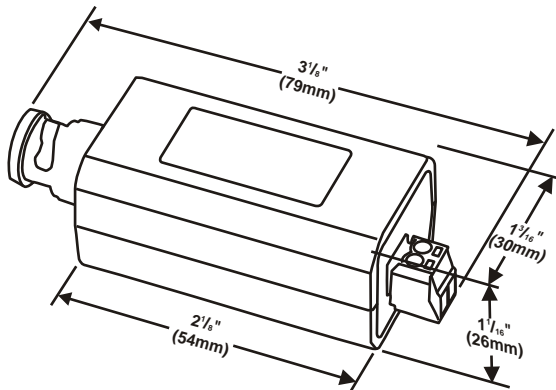
The ENFORCER series video ground loop isolators are passive devices that help reduce ground loop interference caused by a difference in ground potential typically resulting from unbalanced building power loads. Ground loop isolators can be installed in new installations or added to existing installations.

Video ground loop isolators should be installed on the camera side of your cable and can be used with standard BNC coax cable or with video baluns over UTP.

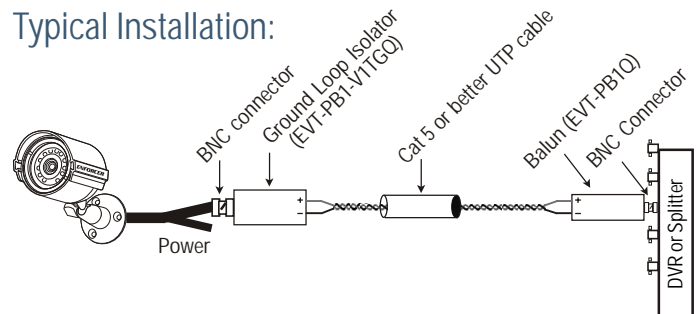
Features:

- ▶ Built-in ground loop isolation.
- ▶ Built-in Transient Voltage Suppression (TVS).
- ▶ Gold-plated BNC connector improves reliability and product life.
- ▶ Passive operation -- No external power required.
- ▶ Uses low-cost CAT 5 cable instead of costly coaxial cable.
- ▶ High immunity from interference -- Built-in impedance coupled device and noise filter helps to reduce RF interference, cross talk, picture tearing, and other picture quality problems.
- ▶ Transmits a video signal up to 980 feet (300m).
- ▶ BNC and quick connect terminals for easy installation.
- ▶ Small size, only 3¹/₈" x 1³/₁₆" x 1¹/₁₆" (79 x 30 x 26 mm). (Case only: 2¹/₈" (54mm))

Dimensions:



Typical Installation:



Specifications:

Bandwidth	Video DC to 8MHz
Maximum Input	1.0Vp-p
Insertion Loss	<0.5dB
Frequency Response	0-3dB at 10MHz
Isolation Voltage	600VDC (Min)
Insulation Resistance	100 Ohm
Transient Voltage Suppression	12Vrms
Range	980' (300m)
Connectors In	BNC Male
UTP Connector Out	Removable terminal block
Impedance	75 Ohms (BNC) 100 Ohms (UTP)
Dimensions	3 ¹ / ₈ " x 1 ³ / ₁₆ " x 1 ¹ / ₁₆ " (79 x 30 x 26 mm)*
Material	ABS Black
Temperature	Operating temp. 32°-131° F (0°-55° C)

* Case alone is 2¹/₈" (54mm)

Copyright 2008 SECO-LARM U.S.A., Inc. Allrights reserved.

The SECO-LARM policy is one of continual development. For that reason, SECO-LARM reserves the right to change prices and specifications without notice. SECO-LARM is not responsible for misprints.