

Rim Exit Device SD-962AR-36A

Features:

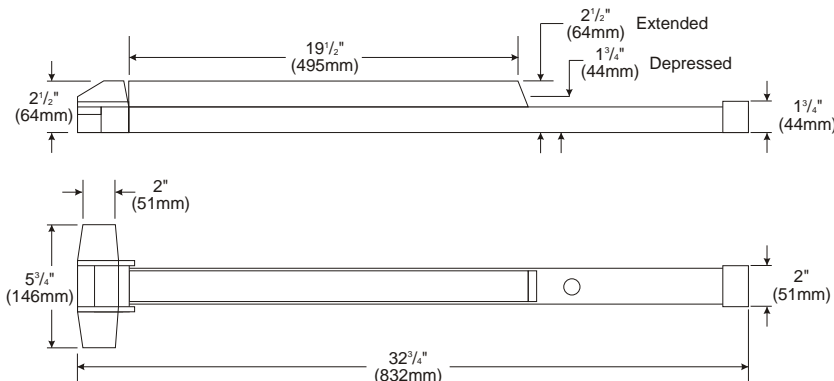
- ▶ For exit doors --
Allows exit from inside while locked from outside.
- ▶ Reversible non-handed design.
- ▶ For metal or wood doors up to 1-3/4" thick.
- ▶ Stainless steel 3/4" throw latch bolt.
- ▶ Deadlocking latch -- Prevents the use of credit cards or similar means to open the latch bolt.
- ▶ Allen-type 1/4-turn dogging lock -- Allows the exit bar to be unlocked for extended periods of time.
- ▶ Includes all hardware for typical installation.
- ▶ Works with standard external door handle/lock devices (not included).
- ▶ Fits doors from 30" to 48" wide.
- ▶ Heavy-duty steel construction.
- ▶ Stainless steel spring.



SD-962AR-36A



Dimensions:



Specifications:

For Doors	1 3/4" thick, Wood or Metal
Hand	Non-Handed
Latchbolt	Stainless Steel, 3/4" throw
Dead Latch	Stainless Steel, 5/8"
Strike	For 5/8" Stop plus Shim for 1/2" Stop
Spring	Stainless Steel
Chassis	Steel
Cover	High-density rust-resistant alloy
Rail Assembly	Steel
End Cap	Steel
Dogging	Allen-type dogging standard

The SECO-LARM policy is one of continual development. For that reason, SECO-LARM reserves the right to change prices and specifications without notice. SECO-LARM is not responsible for misprints.