

Surface-Mount Bracket

SD-993S-SB

U-Bracket (Glass Door)

SD-993S-UB

► Brackets for SD-993B-SS Electric Shear Lock



SD-993S-SB

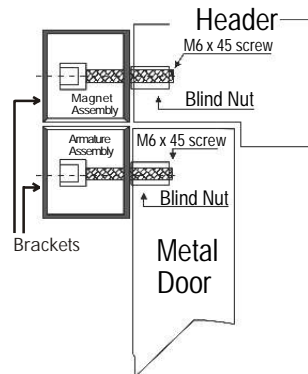


SD-993S-UB

Installation:

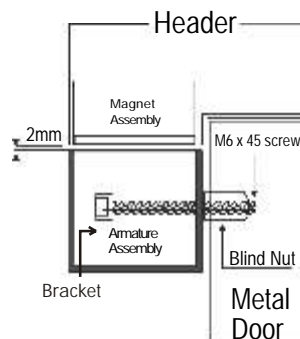
FOR SURFACE MOUNTING (SD-993S-SB)

Surface-mount
(magnet and armature).
Use 2 x SD-993S-SB



The magnet assembly is in the bracket above the door, and the armature assembly is in the bracket on the door.

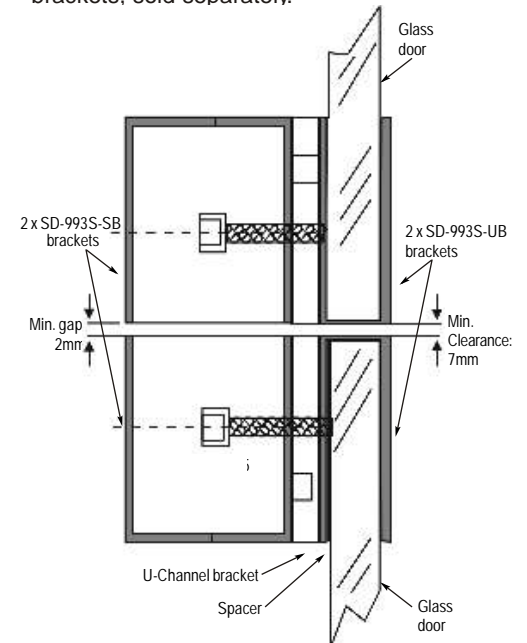
Flush-mount (magnet).
Surface-mount (door).
Use 1 x SD-993S-SB



The magnet assembly is flush to the door frame or header, and the armature assembly is in the bracket on the door.

FOR GLASS DOOR MOUNTING (SD-993S-UB)

NOTE: In most cases, requires
2 x SD-993S-UB U-brackets and
2 x SD-993S-SB surface-mount
brackets, sold separately.



The SECO-LARM policy is one of continual development. For that reason, SECO-LARM reserves the right to change prices and specifications without notice. SECO-LARM is not responsible for misprints.