

## Illuminated Indoor Stand-Alone Keypad

**SK-1131-SQ** 120 Users, Two Relays, One Transistor Ground Output

### Features:

- ▶ 120 Users over 3 Outputs. Codes may be 4~8 digits:
  - Output #1 – Form C relay, 5A@28VDC, 100 users.
  - Output #2 – Form C relay, 1A@28VDC, 10 users.
  - Output #3 – Transistor ground, 100mA@24VDC, 10 users.
- ▶ Durable and attractive stainless steel faceplate.
- ▶ Programmable lockout or duress output after 5~10 unsuccessful attempts to key in a code.
- ▶ Relay output inhibit control.
- ▶ Egress input lets users exit the protected premises without keying in the code.
- ▶ Built-in tamper (N.C.) circuit.
- ▶ EEPROM memory prevents data loss.
- ▶ Power: 12~24 VAC/VDC.
- ▶ Illuminated keypad with programmable status LEDs.
- ▶ Door-propped-open warning.
- ▶ Alarm output triggers an optional alarm control panel if a protected door is forced open.
- ▶ Mantrap: For a protected area with two doors, this feature allows only one door to be open at a time.
- ▶ Duress output signals a silent alarm if an authorized user is forced to open the door under duress.
- ▶ Keypad active output activates for 10 seconds when any key on the keypad is pressed.



**3**  
Outputs

**120**  
User  
Codes

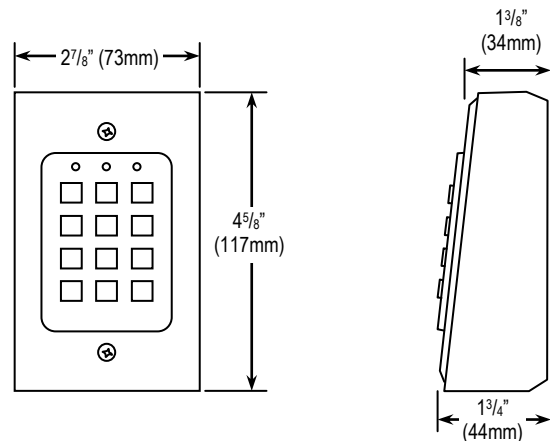
Programmable  
Status  
LEDs

**12~24**  
VAC/  
VDC

### Specifications:

Operating voltage	12~24 VAC/VDC	
Current draw	Stand-by	10mA@12VDC
	Key pressed	30mA@12VDC
	Relay active	130mA@12VDC
Number of relays	2	
Output #1	5A@28VDC, Form C, NO/NC/COM	
Output #2	1A@28VDC, Form C, NO/NC/COM	
Output #3	Transistor ground (-), 100mA@24VDC	
Tamper output	N.C. dry contact	
Egress input	N.O. ground	
Door sensor input	N.C.	
Keypad active output	NPN transistor open collector ground (-)	
Duress output	NPN transistor open collector ground (-)	
Number of LED inputs	3	
Dimensions	Keypad	4 <sup>5</sup> / <sub>8</sub> "x2 <sup>7</sup> / <sub>8</sub> "x1 <sup>3</sup> / <sub>4</sub> " (117x73x44 mm)
	PCB	2 <sup>3</sup> / <sub>4</sub> "x2"x1" (70x49x25 mm)
Weight	6.3-oz (180g)	

### Dimensions:



**SECO-LARM<sup>®</sup>**  
16842 Millikan Avenue  
Irvine, CA 92606

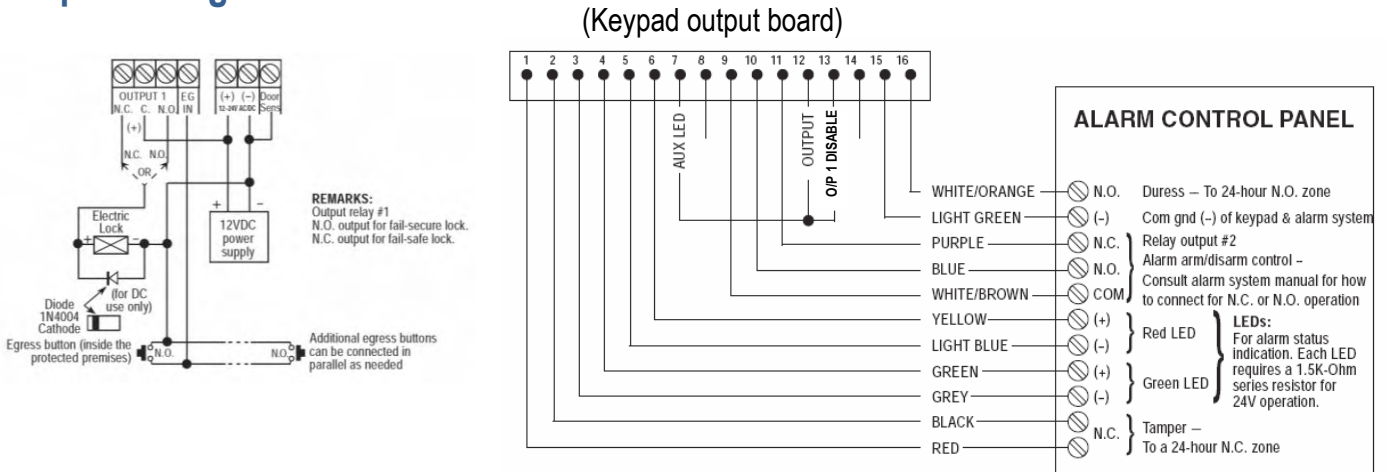
Tel: 1-949-261-2999  
1-800-662-0800  
Fax: 1-949-261-7326

Web: [www.seco-larm.com](http://www.seco-larm.com)  
Email: [info@seco-larm.com](mailto:info@seco-larm.com)



Copyright © 2010  
SECO-LARM U.S.A, Inc.  
All rights reserved

## Sample Wiring:



## Status Buzzer and LEDs:

### Red LED

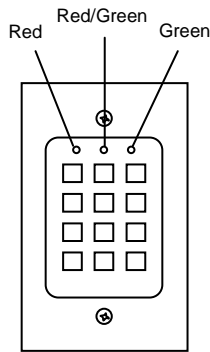
No predetermined function. May be wired as needed.

### Red / Green LED

Flashes to show the keypad status. May also be wired as needed.

### Green LED

No predetermined function. May be wired as needed.



STATUS	BUZZER TONES	RED/GREEN LED (Will flash Green)
In programming mode	---	ON
Successful key entry	1 beep	1 flash
Successful code entry	2 beeps	2 flashes
Unsuccessful code entry	5 beeps	5 flashes
DAP jumper not replaced	Continuous beeps	Continuous flashes
In standby mode	---	1 flash in 2-second intervals
Output relay activated	1-second beep	---

## Also Available from SECO-LARM:

### SK-1123-SQ

Outdoor Stand-Alone Keypad

- ▶ Weatherproof
- ▶ 110 Users
- ▶ 2 Relays
- ▶ Surface mount



### SK-2323-SDQ

Mullion-Style Keypad

- ▶ Weatherproof
- ▶ 1,010 Users
- ▶ 2 Relays
- ▶ Prox-reader available



### SK-1323-SDQ

Sealed-Environment Keypad

- ▶ Weatherproof
- ▶ 1,010 Users
- ▶ 2 Relays
- ▶ Prox-reader available



### SK-1123-FQ

Indoor Stand-Alone Keypad

- ▶ Weatherproof
- ▶ 110 Users
- ▶ 2 Relays
- ▶ Flush mount



### SK-1011-SQ

Indoor Stand-Alone Keypad

- ▶ Backlit Keys
- ▶ 120 Users
- ▶ 2 Relays



### Proximity Cards or Tags

(Sold in packs of 10)



PR-K1S1-A

PR-K1K1-AQ

## SECO-LARM®

16842 Millikan Avenue  
Irvine, CA 92606

Tel: 1-949-261-2999  
1-800-662-0800  
Fax: 1-949-261-7326

Web: [www.seco-larm.com](http://www.seco-larm.com)  
Email: [info@seco-larm.com](mailto:info@seco-larm.com)



Copyright © 2010  
SECO-LARM U.S.A, Inc.  
All rights reserved