

SECO-LARM



Installation Manual

SD-997SMB-AQ Electric Deadbolt Mounting Bracket



The SD-997SMB-AQ electric deadbolt mounting bracket kit allows SECO-LARM's SD-997BQ deadbolts to be mounted on the door jamb instead of in the door and door frame for those situations where in-door mounting is not possible due to space or door material considerations.

The SD-997SMB-AQ kit includes two brackets, one for the SD-997BQ deadbolt itself, and the other for the deadbolt's strike plate. One side of the brackets can be removed for easy screwing into the door or the door jamb. Installation on nearly any type of door is made fast and easy.

The brackets come with an attractive brushed aluminum finish, and are designed to withstand years of abuse resulting from continuous locking and unlocking of the door.

WARNING - This bracket kit is not weatherproof. It is NOT designed for outdoor use.

INCLUDES

- 1 x large aluminum bracket for deadbolt
- 1 x small aluminum bracket for strike plate
- 11 x wood screws
- 1 x manual

TO INSTALL

Find the Right Location

While the brackets could be located anywhere on the door, for aesthetic reasons it will typically be located at the top of the door. The brackets should be mounted in such a way that the corner of the smaller bracket is flush with the corner on the top of the door away from the door hinge. The brackets should be mounted indoors, and inside the protected area.

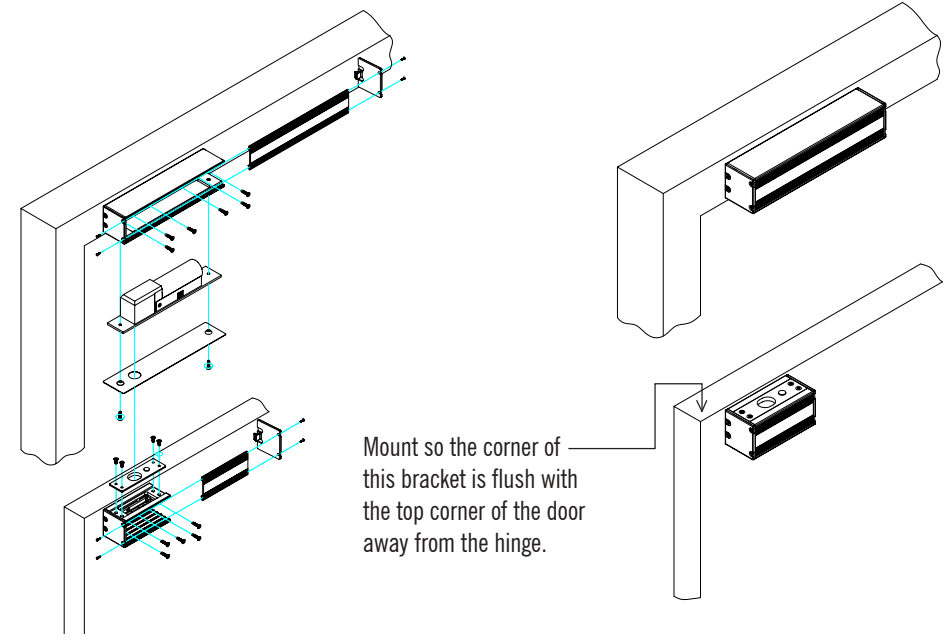
Mounting the Strike Plate Bracket

1. Remove the four small screws from the gray plastic side panel. Please reference the diagram.
2. Slide out the front aluminum panel of the smaller bracket.
3. Using the five screws provided, screw the smaller bracket into the door at the desired location.
4. Replace the side panel and the four small screws.
5. Mount the strike plate in the smaller bracket using the screws which came with the deadbolt.

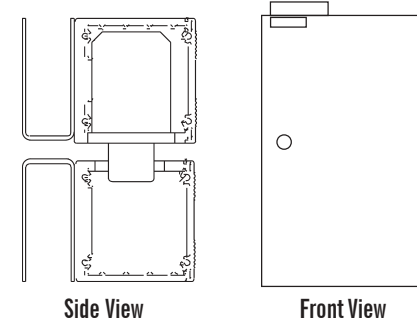
Mounting the Deadbolt Bracket

1. Remove the four small screws from the gray plastic side panel. Please reference the diagram.
2. Slide out the front aluminum panel of the larger bracket.
3. Using the six screws provided, screw the larger bracket into the door at the desired location. The side of the larger bracket away from the hinge should be flush with the side of the smaller bracket which is flush with the corner of the door.
4. Replace the side panel and the four small screws.
5. Run the cable for the deadbolt through the door jamb into the larger bracket through the bracket's holes, and connect to the deadbolt.
6. Mount the deadbolt and its faceplate to the larger bracket using the screws which came with the deadbolt.

Note: Products with model numbers that end with "Q" or that have a round green "Q" sticker are RoHS compliant.



Typical Installation



WARRANTY: This SECO-LARM product is warranted against defects in material and workmanship while used in normal service for a period of one (1) year from the date of sale to the original consumer customer. SECO-LARM's obligation is limited to the repair or replacement of any defective part if the unit is returned, transportation prepaid, to SECO-LARM. This Warranty is void if damage is caused by or attributed to acts of God, physical or electrical misuse or abuse, neglect, repair, or alteration, improper or abnormal usage, or faulty installation, or if for any other reason SECO-LARM determines that such equipment is not operating properly as a result of causes other than defects in material and workmanship. The sole obligation of SECO-LARM, and the purchaser's exclusive remedy, shall be limited to replacement or repair only, at SECO-LARM's option. In no event shall SECO-LARM be liable for any special, collateral, incidental, or consequential personal or property damages of any kind to the purchaser or anyone else.

NOTICE: The information and specifications printed in this manual are current at the time of publication. However, the SECO-LARM policy is one of continual development and improvement. For this reason, SECO-LARM reserves the right to change specifications without notice. SECO-LARM is also not responsible for misprints or typographical errors. Copyright © 2011 SECO-LARM U.S.A., Inc. All rights reserved. This material may not be reproduced or copied, in whole or in part, without the written permission of SECO-LARM.

SECO-LARM U.S.A., Inc.

16842 Millikan Avenue, Irvine, CA 92606

Website: www.seco-larm.com

Tel: 800-662-0800 / 949-261-2999 Fax: 949-261-7326 E-mail: sales@seco-larm.com

File: MiSD997SMB-AQZZ_1103.pmd