

TROUBLESHOOTING

The screen is blank	<ul style="list-style-type: none">• Check that the CCTV camera is powered up.• Check that the monitor is powered up.• Check that the video cable connecting the camera to the monitor is connected properly.
The screen image is dim	<ul style="list-style-type: none">• Clean the lens (using a soft, clean cloth).• Check that the light source is adequate.• Clean the dome.
The screen image is dark	<ul style="list-style-type: none">• If the backlight control (BLC) DIP switch is set to OFF, try setting it to ON.
The screen image has poor contrast	<ul style="list-style-type: none">• Check that the automatic electronic shutter (AES) DIP switch is turned OFF.• Adjust the monitor's contrast knob.
The screen image flickers	<ul style="list-style-type: none">• Change the position of the camera.
The screen image rolls	<ul style="list-style-type: none">• If multiple cameras are used, make sure the polarity of the power connections is consistent.• (24VAC only) If more than one camera is attached to the same power source, adjust the other camera's linelock sync. This camera cannot be adjusted.
The screen image is distorted	<ul style="list-style-type: none">• Change the position of the camera.
The camera case is hot	<ul style="list-style-type: none">• Check that the correct power supply is in use.

FCC COMPLIANCE STATEMENT: Information to the user: This equipment has been tested and found to comply with the limits for a Class A digital device, pursuant to Part 15 of the FCC rules. These limits are designed to provide reasonable protection against harmful interference when the equipment is operated in a commercial environment. This equipment generates, uses and can radiate radio frequency energy and, if not installed and used in accordance with the instruction manual, may cause harmful interference to radio communications. Operation of this equipment in a residential area is likely to cause harmful interference in which case the user will be required to correct the interference at his own expense.

IMPORTANT: Users and installers of this product are responsible for ensuring this product complies with all national, state, and local laws and statutes related to monitoring and recording audio and video signals. SECO-LARM will not be held responsible for the use of this product in violation of any current laws or statutes.

WARNING: Incorrect mounting which leads to exposure to rain or moisture inside the enclosure could cause a dangerous electric shock, damage the device, and void the warranty. Do not open the case of this device, as there are no field-serviceable components inside.

WARRANTY: All SECO-LARM products are warranted against defects in material and workmanship while used in normal service for a period of one (1) year from the date of sale to the original consumer customer. Our obligation is limited to the repair or replacement of any defective part if the unit is returned, transportation prepaid, to SECO-LARM. For complete details regarding the SECO-LARM warranty, please contact SECO-LARM.

NOTICE: The information and specifications printed in this manual are current at the time of publication. However, the SECO-LARM policy is one of continual development and improvement. For this reason, SECO-LARM reserves the right to change specifications without notice. SECO-LARM is also not responsible for misprints or typographical errors. Copyright © 2008 SECO-LARM U.S.A., Inc. All rights reserved. This material may not be reproduced or copied, in whole or in part, without the written permission of SECO-LARM.

SECO-LARM® U.S.A., Inc.

16842 Millikan Avenue, Irvine, CA 92606

Tel: 800-662-0800 / 949-261-2999 Fax: 949-261-7326

Website: www.seco-larm.com

E-mail: sales@seco-larm.com

PIKPR1
WDR1208_IUM.pmd

The Elite Series

ENFORCER[®] VIDEO

MANUAL

Wide Dynamic Range (WDR) Vandal-Resistant Dome Camera

EV-2625-NKEQ



Flush or
Surface
Mount



SLI[®]
SECO-LARM[®]



Table Of Contents

Introduction	2	Mounting Instructions (Surface or Flush) ...	5
Features	2	3-Axis Gimbal Adjustment	6
Optional Accessories	2	Zoom and Focus Adjustment	6
Specifications	3	On-Screen Display	7
Dimensions	3	Camera Connections	7
Camera Assembly	4	Troubleshooting	8
Before Starting	4	Warranty	8

Introduction

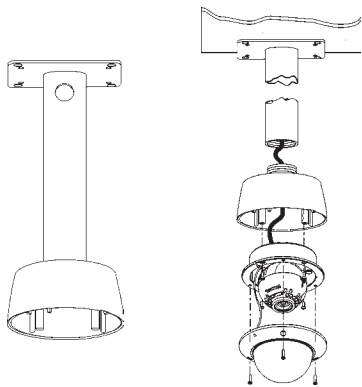
The ENFORCER EV-2625-NKEQ Wide Dynamic Range (WDR) Camera is the solution to protect areas in difficult lighting situations. The camera features a 1/3" Pixim DPS Image Sensor, a Digital Slow Shutter (DSS), and Digital Noise Reduction (DNR). The camera is easily adjusted through the On-Screen Display (OSD), which is controlled via a circuit-board inside the camera, or an included remote control.

Features

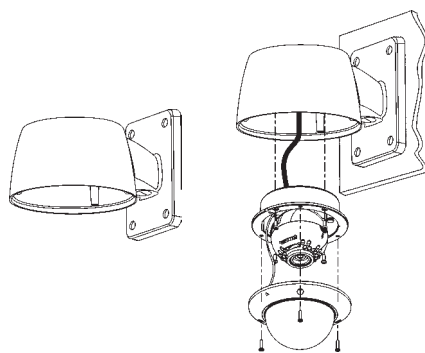
- 1/3" Pixim DPS Image Sensor
- Wide Dynamic Range (WDR)
- 540 TV lines
- Digital Slow Shutter
- On-screen display
- Included remote control
- Easy adjustment of zoom and focus
- Service monitor port
- Vandal-resistant and weatherproof
- 360° triple-axis rotation
- Dual voltage 12VDC or 24VAC
- 2.8 ~ 11.0 mm varifocal lens
- Surface or flush mountable

Optional Accessories

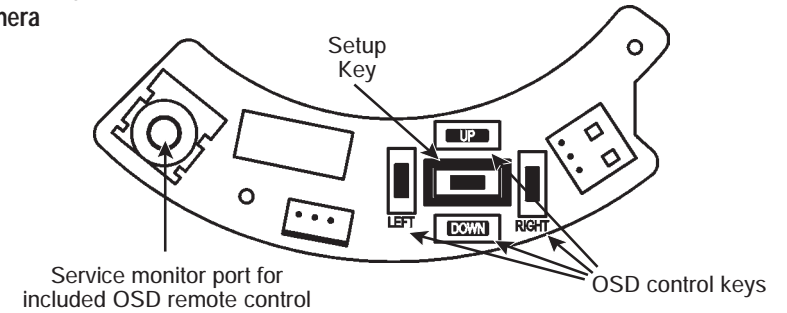
Ceiling Mount Bracket EV-260CM



Wall Mount Bracket EV-260WM



On-Screen Display Inside Camera



Included Remote Control

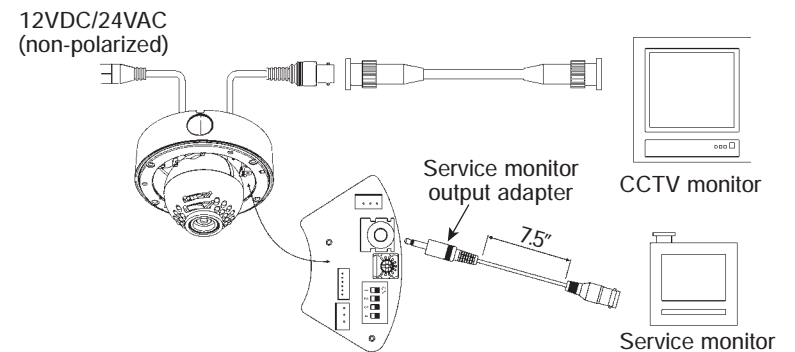
OSD Controls

- Set: Access Menu Mode or confirm a selection
 Up/Down: Move between selections
 Left/Right: Change values of selection



Camera Connections

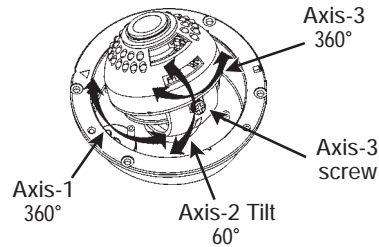
- Power: 12VDC or 24VAC.
- Use the supplied service monitor adapter to connect to service monitor.



3-Axis Gimbal Adjustment

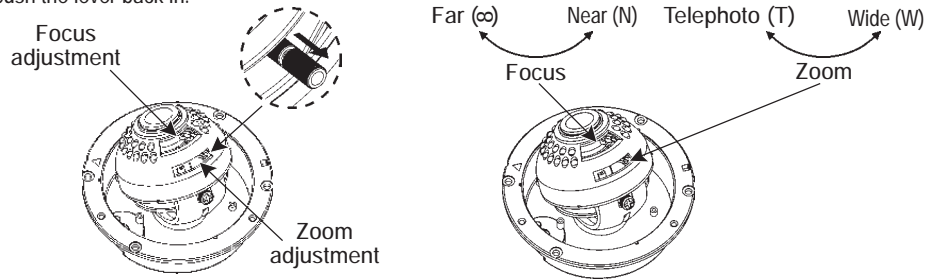
The 3-axis gimbal allows the camera to rotate 360° horizontally, 360° vertically and 60° tilt. Adjust the proper angle as needed.

1. Axis-1: Turn axis-1 by hand for up to 360 degrees rotation.
2. Axis-2: Adjust axis-2 (tilt) up or down by hand.
3. Axis-3: Loosen the axis-3 screw to adjust the 3rd axis to the desired angle and then tighten the screw.



Zoom And Focus Adjustment

1. Make any necessary adjustments to the horizontal and vertical angles of the camera itself while checking the image in the video monitor.
2. Pull the zoom lever out and loosen it by turning it counter-clockwise. Slide the lever right or left depending on how close the camera is to the protected area. After adjustments have been made, turn the lever clockwise to tighten it, then push the lever back in.
3. Pull the focus lever out and loosen it by turning it counter-clockwise. Slide the lever right or left to bring the protected area into focus. After adjustments have been made, turn the lever clockwise to tighten it, then push the lever back in.



IMPORTANT: Make sure the focus and zoom levers are pushed back in after adjustments are made. Failure to do so may cause damage to the dome.

Also Available from SECO-LARM

DNR (Digital noise reduction)

EV-2615-NKEQ

- Ultra-low lux (0.002 lux).
- On-Screen Display (OSD).



WDR (Wide dynamic range)

EV-2625-NKEQ

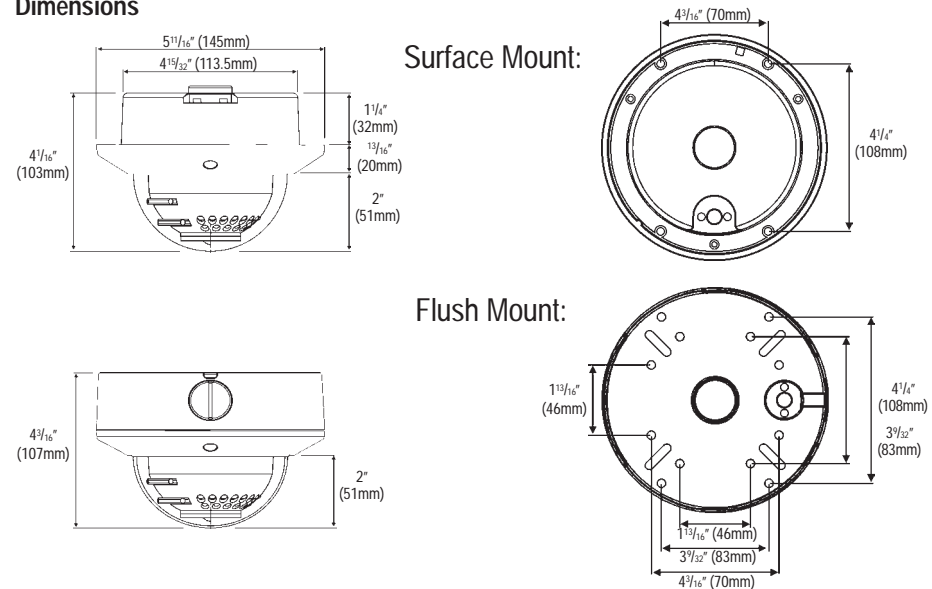
- 1/3" Pixim DPS image sensor.
- On-Screen Display (OSD)



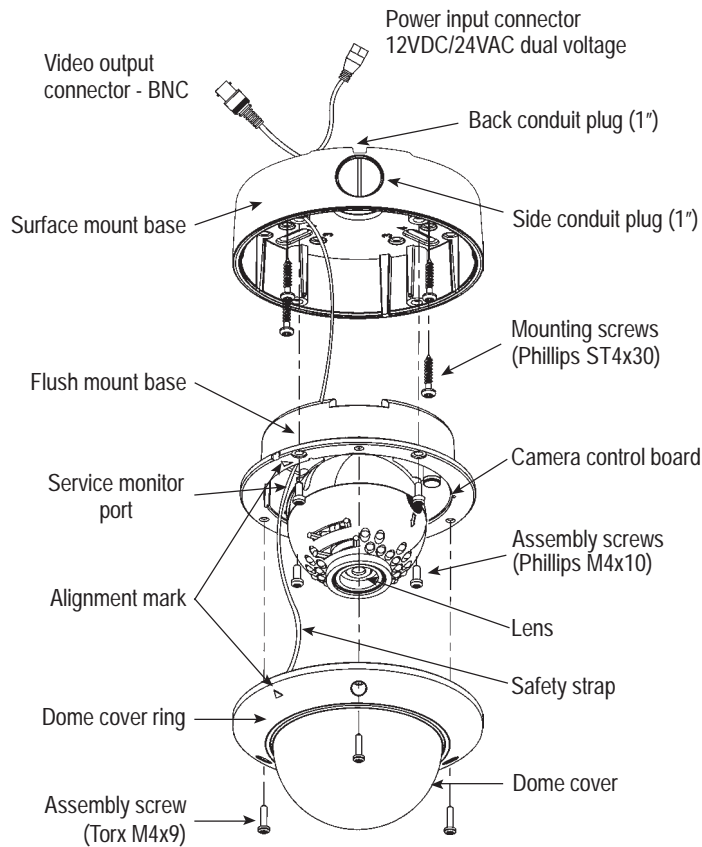
Specifications

Model	EV-2625-NKEQ
Image sensor	1/3" Pixim DPS Image Sensor
Resolution	540 TV lines
Pickup elements	720 x 540 pixels
Lens	2.8 ~ 11 mm varifocal, F1.2 DC auto iris
Wide dynamic range (WDR)	Maximum - 120dB
Digital slow shutter (DSS)	OFF, ON: 2x ~ 32x
On-screen display (OSD)	Built-in
Digital noise reduction	ON/OFF
Sync	Internal
Shutter speed	1/60 sec.
Iris control	DC auto iris
Gain control	Auto
White balance	ATW / AWC / Manual
Video output	1 Vp-p composite output, 75 Ohms.
S/N ratio	> 50dB (AGC off)
Power source	12/24 VDC/AC (+/-10%)
Ambient temperature	14° ~ 122° F (-10° ~ 50° C)
Minimum illumination	0.4 Lux color, 0.08 Lux DSS ON
Power consumption @ 24VAC	Max. 4.8VA
Power consumption @ 12VDC	Max: 240mA
Weight	4 lbs. 6 oz. (2.0 kg)

Dimensions



Camera Assembly



Before Starting

1. Please read this manual carefully and keep it for future reference.
2. Use the camera within given temperature and electrical limits.
3. Do not point the CCTV camera at the sun. Heat could damage the camera, even when not in use.
4. Do not mount the CCTV camera in areas exposed to radiation, strong magnetic fields, or strong electrical signals.*
5. Do not drop the camera or subject it to strong vibrations.

* NOTE: Many video monitors produce strong electromagnetic fields close to the display CRT, especially when the monitor is turned on or during de-Gaussing, which occurs automatically with many monitors when the monitor is turned on.

Mounting Instructions

1. Remove the dome cover by loosening 3 security screws with supplied Torx wrench.
2. Mount the camera to ceiling or wall.
 - A. If surface mounting, see figure 1.
 - B. If flush mounting, see figure 2.
 - C. If mounting to electrical box, see figure 3 and 4.

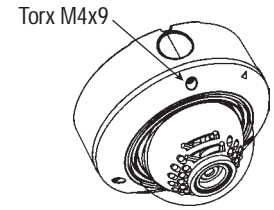


Figure 1 - Surface Mount

- A. Use Guide Pattern on wall or ceiling.
- B. Using four ST4x30 screws, mount surface base to a sturdy surface.
- C. Using four M4x10 screws, affix flush mount base to surface base.

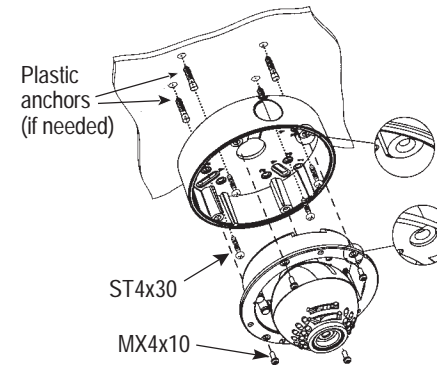


Figure 2 - Flush Mount

- A. Use Guide Pattern on wall or ceiling.
- B. Using four ST4x30 screws, affix flush mount base to a sturdy surface.

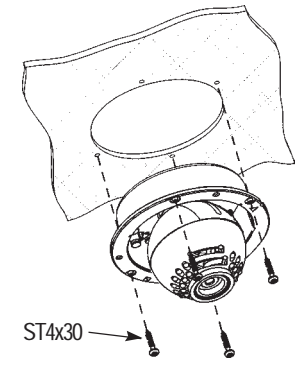


Figure 3 - Mounting to Electrical Junction Box (with surface mount base)

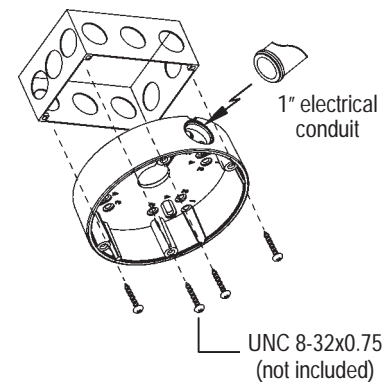


Figure 4 - Mounting to Electrical Junction Box (flush mount)

