

ENFORCER CCD Dome CAMERA Manual

TROUBLE SHOOTING

The screen is blank	<ul style="list-style-type: none">• Check that the dome camera is powered up.• Check that the monitor is powered up.• Check that the video cable connecting the camera to the monitor is connected properly.
The screen image is dim	<ul style="list-style-type: none">• Clean the lens (using a soft, clean cloth).• Check that the light source is adequate.• Clean the dome (using a soft, clean cloth).
The screen image has poor contrast	<ul style="list-style-type: none">• Adjust the monitor's contrast knob.• Change the position of the camera
The screen image flickers	<ul style="list-style-type: none">• Change the position of the camera
The screen image is distorted	<ul style="list-style-type: none">• Change the position of the camera
The camera case is hot	<ul style="list-style-type: none">• Check that the correct power supply is in use.

IMPORTANT

Users and installers of this product are responsible for ensuring this product complies with all national, state, and local laws and statutes related to monitoring and recording audio and video signals. **SECO-LARM** will not be held responsible for the use of this product in violation of any current laws or statutes.

WARNING

- Stop using the camera if you see a malfunction like smoke or unusual heat, as it could cause fire or electric shock. Do not open the case of this device, as there are no field-serviceable components inside.
- This product was designed for indoor use only. Mounting outdoors or exposure to rain or moisture could cause a dangerous electric shock, damage the device, and void the warranty. Do not open the case of this device, as there are no field-serviceable components inside.

FCC COMPLIANCE STATEMENT

Information to the user: This equipment has been tested and found to comply with the limits for a Class A digital device, pursuant to Part 15 of the FCC rules. These limits are designed to provide reasonable protection against harmful interference when the equipment is operated in a commercial environment. This equipment generates, uses and can radiate radio frequency energy and, if not installed and used in accordance with the instruction manual, may cause harmful interference to radio communications. Operation of this equipment in a residential area is likely to cause harmful interference in which case the user will be required to correct the interference at his own expense.

WARRANTY

ENFORCER dome cameras are warranted against defects in material and workmanship while used in normal service for a period of two (2) years from the date of sale to the original customer. Our obligation is limited to the repair or replacement of any defective part if the unit is returned, transportation pre-paid, to SECO-LARM.

NOTICE

The information and specifications printed in this manual are current at the time of publication. However, the SECO-LARM policy is one of continual development and improvement. For this reason, SECO-LARM reserves the right to change specifications without notice. SECO-LARM is also not responsible for misprints or typographical errors.

Copyright © 2004 SECO-LARM U.S.A., Inc. All rights reserved. This material may not be reproduced or copied, in whole or in part, without the written permission of SECO-LARM.

SECO-LARM® U.S.A., Inc.

16842 Millikan Avenue, Irvine, CA 92606 Website: www.seco-larm.com
Tel: 800-662-0800 / 949-261-2999 Fax: 949-261-7326 E-mail: sales@seco-larm.com

 PITFW1
file: DOME_IMUb.pmd

ENFORCER[®] VIDEO

MANUAL

EV-1224C12

1/4" CCD Color Dome Cameras

EV-1223B12

1/3" CCD B/W Dome Cameras

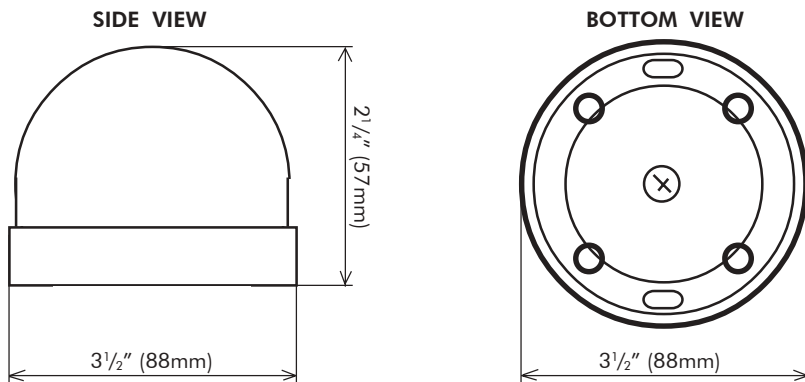


SLI[®]
SECO-LARM[®]

Specifications

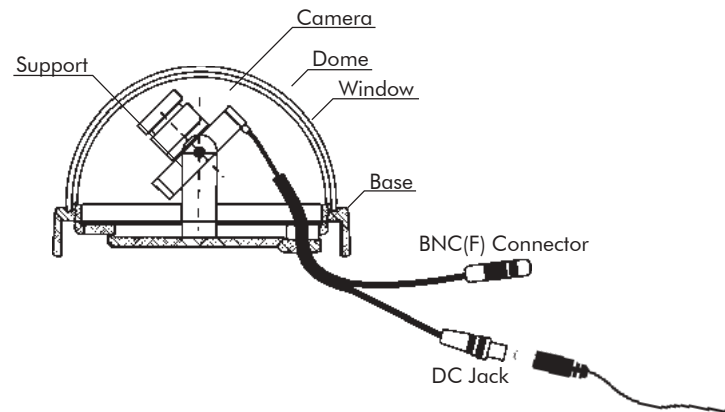
	EV-1223B12 (EIA)	EV-1224C12 (NTSC)
Type	B/W camera	Color camera
Chip	1/3" CCD, Sharp	1/4" CCD, Panasonic
Resolution	400 TV lines	330 TV lines
Pickup elements	512 x 492 pixels	510 x 492 pixels
Scanning system	2:1 interlace V: 60Hz, H: 15.734KHz	2:1 interlace V: 60Hz, H: 15.734KHz
Sync	Internal	Internal
Video output	1V pp composite output, 75 ohms	1V pp composite output, 75 ohms
Lens mount	F3.6mm (lens included)	F3.6mm (lens included)
Minimum illumination	0.08 lux	1.8 lux
Gamma correction	0.45	0.45
S/N ratio	48dB	46dB
Shutter control	Auto Electronic Shutter (AES) 1/60~1/100,000 sec.	Auto Electronic Shutter (AES) 1/60~1/100,000 sec.
Backlight compensation	N/A	N/A
Gain control	N/A	N/A
Power source	12VDC ± 10%	12VDC ± 10%
Power consumption	1.6W (max.)	1.5W (max.)
Ambient temperature	14°~122° F (-10°~50° C)	14°~122° F (-10°~50° C)
Relative humidity	30 - 90%	30 - 90%
Dimensions	3 1/2" x 2 1/4" (88 x 57mm)	3 1/2" x 2 1/4" (88 x 57mm)
Weight	4.2 oz. (118g)	4.2 oz. (118g)

Dimensions



Parts List

- 1 x Dome camera
- 4 x Mounting screws
- 1 x Manual



Important:
Do not cut DC jack.
Use SECO-LARM's optional EVA-F5521-3 Pigtail Connector for easy installation and serviceability.

BEFORE STARTING

1. This product was designed for indoor use only. Do not mount the CCTV camera where it is exposed to rain or other moisture, or in humid or dusty places.
2. Do not point the CCTV camera at the sun. Heat could damage the camera, even when not in use.
3. Do not mount the CCTV camera in areas exposed to radiation, strong magnetic fields, or strong electrical signals.*

4. Do not open or disassemble the camera. There are no user-serviceable parts inside.
5. Do not drop the camera or subject it to strong vibrations.
- * Note: Many video monitors produce strong electromagnetic fields close to the display CRT, especially when the monitor is turned on or during de-Gaussing, which occurs automatically with many monitors when the monitor is turned on.

INSTALLATION

1. Remove the dome. Be careful not to scratch the dome. DO NOT TOUCH ANY OF THE COMPONENTS INSIDE THE DOME.
2. Connect the camera to a video monitor via the video cable.
3. Temporarily connect the camera to a 12VDC power source.
4. Hold the base of the dome camera with your hand against the ceiling, and try various locations and angles while watching the video monitor to find the location which offers the best protection. Mark that location with a pencil.
5. Run a hidden, permanent video cable from the monitor to the mounting location.
6. Run a hidden cable from a 12VDC power supply to the mounting location.
7. Connect the two cables to the dome camera.
8. Mount the base to the ceiling at the selected location with the four mounting screws.
9. Make any necessary adjustments to the horizontal and vertical angles of the camera itself while checking the image in the video monitor.
10. Replace the dome, taking care not to touch the camera or scratch the dome.
11. Test the camera again under the exact lighting conditions under which it is expected to be used.