

## TROUBLE SHOOTING

|                                    |  |
|------------------------------------|--|
| The screen is blank                | <ul style="list-style-type: none"><li>• Check that the camera is powered up.</li><li>• Check that the power supply's polarity is correct.</li><li>• Check that the monitor is powered up.</li><li>• Check that the video cable connecting the camera to the monitor is connected properly.</li></ul> |
| The screen image is dim            | <ul style="list-style-type: none"><li>• Clean the lens (using a soft, clean cloth).</li><li>• Check that the light source is adequate.</li></ul>   |
| The screen image has poor contrast | <ul style="list-style-type: none"><li>• Adjust the monitor's contrast knob.</li><li>• Change the position of the camera.</li></ul>   |
| The screen image flickers          | <ul style="list-style-type: none"><li>• Change the position of the camera.</li></ul>   |
| The screen image is distorted      | <ul style="list-style-type: none"><li>• Change the position of the camera.</li></ul>   |
| The camera case is hot             | <ul style="list-style-type: none"><li>• Check that the correct power supply is in use.</li></ul>   |
| IR LEDs do not turn on             | <ul style="list-style-type: none"><li>• Check that the correct power supply is in use.</li></ul>   |

## IMPORTANT

Users and installers of this product are responsible for ensuring this product complies with all national, state, and local laws and statutes related to monitoring and recording audio and video signals. **SECO-LARM** will not be held responsible for the use of this product in violation of any current laws or statutes.

## WARNING

Stop using the camera if you see a malfunction like smoke or unusual heat, as it could cause fire or electric shock. Do not open the case of this device, as there are no field-serviceable components inside.

## FCC COMPLIANCE STATEMENT

Information to the user: This equipment has been tested and found to comply with the limits for a Class A digital device, pursuant to Part 15 of the FCC rules. These limits are designed to provide reasonable protection against harmful interference when the equipment is operated in a commercial environment. This equipment generates, uses and can radiate radio frequency energy and, if not installed and used in accordance with the instruction manual, may cause harmful interference to radio communications. Operation of this equipment in a residential area is likely to cause harmful interference in which case the user will be required to correct the interference at his own expense.

## WARRANTY

ENFORCER IR Cameras are warranted against defects in material and workmanship while used in normal service for a period of one (1) year from the date of sale to the original customer. Our obligation is limited to the repair or replacement of any defective part if the unit is returned, transportation pre-paid, to SECO-LARM.

## NOTICE

The information and specifications printed in this manual are current at the time of publication. However, the SECO-LARM policy is one of continual development and improvement. For this reason, SECO-LARM reserves the right to change specifications without notice. SECO-LARM is also not responsible for misprints or typographical errors.

Copyright © 2005 SECO-LARM U.S.A., Inc. All rights reserved. This material may not be reproduced or copied, in whole or in part, without the written permission of SECO-LARM.

## SECO-LARM® U.S.A., Inc.

16842 Millikan Avenue, Irvine, CA 92606 Website: [www.seco-larm.com](http://www.seco-larm.com) PITNW1  
Tel: 800-662-0800 / 949-261-2999 Fax: 949-261-7326 E-mail: [sales@seco-larm.com](mailto:sales@seco-larm.com) DAY\_NIGHT\_IMU0604c.PMD

# ENFORCER<sup>®</sup> VIDEO

## MANUAL

### EV-1323C12DWL (NTSC) EV-1353C12DWL (PAL)

### 1/3" CCD Color IR Day/Night Cameras with 24 LEDs



Weatherproof

**SLI**<sup>®</sup>  
**SECO-LARM**<sup>®</sup>

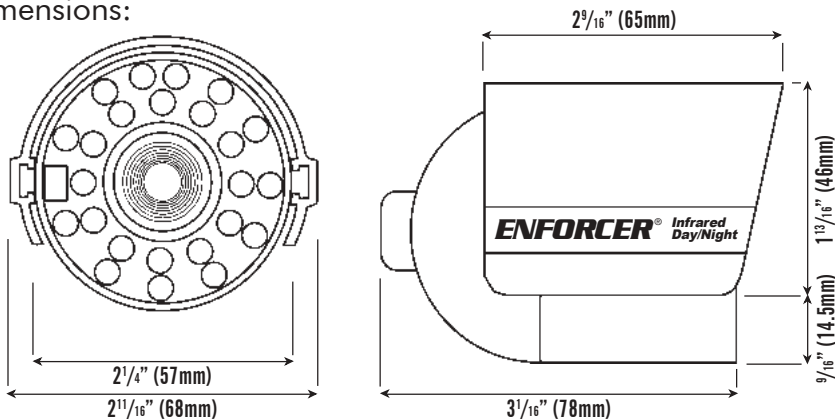
FC CE

Specifications

EV-1323C12DWL (NTSC)  
EV-1353C12DWL (PAL)

|                              |   |
|------------------------------|---|
| Type                         | Color camera  |
| Chip                         | 1/3" CCD, Sony  |
| Resolution                   | 420 TV lines  |
| Pickup elements              | 512 x 492 pixels (NTSC)<br>512 x 582 pixels (PAL)             |
| Scanning system              | 2:1 interlace   |
| Sync                         | Internal  |
| Video output                 | 1V pp composite output, 75 ohms                               |
| Lens                         | F1.8, 4.3mm (lens included)                                   |
| Minimum illumination         | 0.1 lux (LEDs off), 0.0 lux (LEDs on)                         |
| Gamma correction             | 0.45  |
| S/N ratio                    | > 50dB (AGC off)  |
| Shutter control              | Auto Electronic Shutter (AES)<br>1/60 (1/50) ~ 1/100,000 sec. |
| Backlight compensation       | auto  |
| Automatic gain control (AGC) | auto  |
| Enclosure                    | IP67 weatherproof   |
| # of infrared LEDs           | 24  |
| Max. LED range               | Approximately 80' (25m)                                       |
| Power source                 | 12VDC ± 10%   |
| Power consumption            | 90mA (IR off), 290mA (IR on)                                  |
| Operating temperature        | 14° ~ 131° F (-10° ~ 55° C)                                   |
| Dimensions                   | 3 1/16" (L) x 2 1/4" (D) (78 x 57 mm)<br>(without sunshield)  |
| Weight                       | 16 oz. (454g)   |

Dimensions:



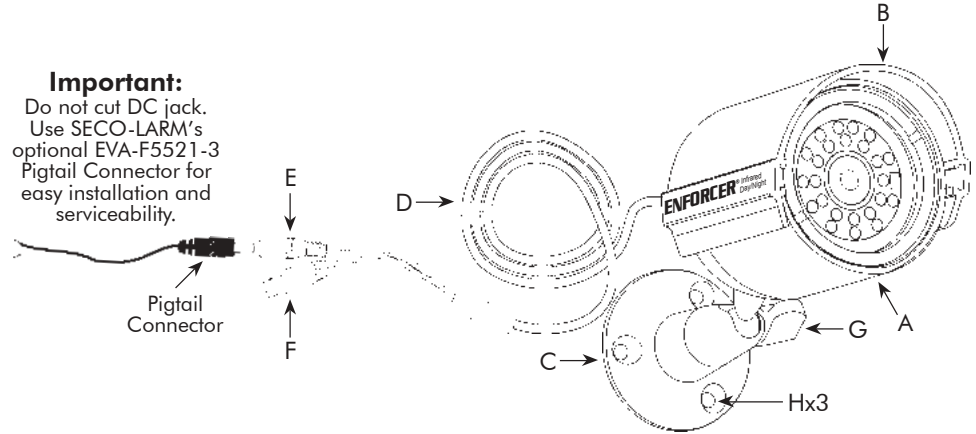
- A. Camera
- B. Adjustable Sunshield
- C. Mounting bracket
- D. 36" cord
- E. DC jack
- F. BNC connector (female)
- G. Adjustment nut
- H. Mounting holes

Parts List

- 1 x IR camera
- 1 x Sunshield
- 1 x Mounting bracket
- 3 x Mounting screws
- 3 x Screw anchors
- 1 x Manual

Important:

Do not cut DC jack. Use SECO-LARM's optional EVA-F5521-3 Pigtail Connector for easy installation and serviceability.



BEFORE STARTING

1. Please read this manual carefully and keep it for future reference.
  2. Use the camera within given temperature and electricity limits.
  3. Do not aim the LED light directly at the eyes when the LEDs are on.
  4. Do not point the camera at the sun. Heat could damage the camera, even when not in use.
  5. Do not mount the camera in areas exposed to radiation, strong magnetic fields, or strong electrical signals.\*
  6. Do not open or disassemble the camera. There are no user-serviceable parts inside.
  7. Do not drop the camera or subject it to strong vibrations.
- \* Note: Many video monitors produce strong electromagnetic fields close to the display CRT, especially when the monitor is turned on or during de-Gaussing, which occurs automatically with many monitors when the monitor is turned on.

INSTALLATION

1. Run a 12VDC power supply wire and a video cable with a male BNC connector through the wall to where the camera is to be mounted (if necessary).
2. Assemble the mounting bracket; then screw it into the back of the camera. Make sure the mounting base is tightened to the bracket.
3. Temporarily connect the camera to the 12VDC power supply.
4. Temporarily connect the camera's female BNC connector to the video cable's male BNC connector.
5. While watching the monitor, hold the camera bracket against the wall by hand where it is to be mounted, then twist the camera until it is certain that this mounting location is correct. Use a pencil to mark the location of the three screw holes in the bracket.
6. Disconnect the 12VDC power supply and video cable.
7. Mount the bracket to the wall using the three included mounting screws. If the wall is made of dry wall, brick, or similar material, it may be necessary to use the three included screw anchors.
8. Reconnect the 12VDC power supply and video cable. Turn the monitor on, and make sure the camera is sending the proper video signal.
9. Adjust the camera angle:
  - (a) Loosen and tighten the bracket's thumb screw to turn the camera and change its angle relative to the bracket. This ensures the camera is pointing in the right direction.
  - (b) Loosen and tighten the adjustment plate to rotate the camera on its axis. This rotates the angle of the video image.
10. Tighten the bracket's thumb screw and the adjustment plate so that the camera does not move, but not so tight that it cracks the case or bracket.
11. Do a final test of the video camera and monitor.