

Security Housing Installation:

1. Place the rubber gasket snugly in one side (both sides are the same) of the security housing.
2. Use a cable fastener or zip tie to secure the cables together (optional).
3. Put the security housing with the gasket still attached underneath the hub, face down.
4. Carefully tuck the male BNC connectors and coax cables into the housing.
5. Fold the gasket over the cables and press the two sides together using the alignment tabs. The gasket can be cut to accommodate for larger sized cables.
6. Make sure no wires or connectors will be pinched or crimped and snap the other piece of the housing so both lock in place together.
7. Using the included 4 screws, secure the two sides of the housing to each other.



Troubleshooting:

Wavy or ghost image when connected to image processor, but not directly connected to monitor	<ul style="list-style-type: none"> • Move the cable away from possible sources of interference • Install a video amplifier between image processor and balun • Make sure the same twisted pair connects balun at both ends • Replace cable with new cable
Image background flutters between black and white	<ul style="list-style-type: none"> • Remove power source or adjust monitor's brightness and contrast
Image is wavy and shakes	<ul style="list-style-type: none"> • Reverse polarity of the 2 wires at one of cable
Image is weak or faded	<ul style="list-style-type: none"> • Reduce cable length • Replace with higher grade cable. Cat5 cable meets the specifications in this manual, Cat6 will extend the range
No image	<ul style="list-style-type: none"> • Check the power supplies of all devices connected to cable • Double-check that the cable is connected properly • Run a continuity test on all wires in the cable • Replace the camera
Poor image quality when testing using cable on a reel	<ul style="list-style-type: none"> • Test only with cable laid out in such a way that is not coiled and does not double back on itself

WARRANTY This SECO-LARM product is warranted against defects in material and workmanship while used in normal service for a period of one (1) year from the date of sale to the original consumer customer. SECO-LARM's obligation is limited to the repair or replacement of any defective part if the unit is returned, transportation prepaid, to SECO-LARM. This Warranty is void if damage is caused by or attributed to acts of God, physical or electrical misuse or abuse, neglect, repair, or alteration, improper or abnormal usage, or faulty installation, or if for any other reason SECO-LARM determines that such equipment is not operating properly as a result of causes other than defects in material and workmanship. The sole obligation of SECO-LARM, and the purchaser's exclusive remedy, shall be limited to replacement or repair only, at SECO-LARM's option. In no event shall SECO-LARM be liable for any special, collateral, incidental, or consequential personal or property damages of any kind to the purchaser or anyone else.

NOTICE: The information and specifications printed in this manual are current at the time of publication. However, the SECO-LARM policy is one of continual development and improvement. For this reason, SECO-LARM reserves the right to change specifications without notice. SECO-LARM is also not responsible for misprints or typographical errors. Copyright © 2008 SECO-LARM U.S.A., Inc. All rights reserved. This material may not be reproduced or copied, in whole or in part, without the written permission of SECO-LARM.

SECO-LARM® U.S.A., Inc.

16842 Millikan Avenue, Irvine, CA 92606
Tel: 800-662-0800 / 949-261-2999 Fax: 949-261-7326

Website: www.seco-larm.com
E-mail: sales@seco-larm.com

 PITSW1
mi-EVT-PH4-V2W0Q.docx

ENFORCER® VIDEO

MANUAL

EVT-PH4-V2W0Q

4-Port Passive Video Balun Hub

Range: Up to 2,000' (610m)



With Optional Security / Cable Management Housing



The ENFORCER EVT-PH4-V2W0Q Passive 4-Port Video Balun Hub transmits 4 video input signals over a single Cat5 cable. The EVT-PH4-V2W0Q works with all other SECO-LARM passive baluns to deliver video signals up to 2,000' (610m). A built-in impedance coupled-device and noise filter gives the Hub high immunity from outside interference.

- Transmits 4 video inputs over a single Cat5 cable.
- Compatible with both color and B/W signals.
- Connect to a video camera, multiplexer, DVR and so on.
- Transmits video signals up to 2,000'.
- Video output: RJ-45 connector or screwless terminal block.
- Optional security housing for increased protection. Part Number: 870-015Q.
- Gold-Plated BNC connectors.

SLI®
SECO-LARM®



NOTE: Products with a model number that ends with "Q" or have a round green "Q" sticker represent RoHS compliant products.

Specifications:

EVT-PH4-V2W0Q			
Video	Range	2,000' (610m) B/W, 1,300' Color (400m)	
	Video format	RS170, NTSC, PAL, SECAM, CCIR	
	Maximum input	1vp-p	
	Insertion loss	< 2dB per pair from DC ~ 5Mhz	
	Return loss	>-15dB from DC ~ 5Mhz	
	Common mode rejection	15KHz-5MHz, 60dB	
	Attenuation	1.5dB	
	Frequency response	DC ~ 5Mhz	
	Power	No power required for video	
Connections	Wire type	UTP (unshielded twisted pair)	
	Wire category	20 - 24 AWG @ screwless terminal blocks Cat2 or better, Cat5 ideal, Cat6 improves range	
	Connectors	Coax side	4 Gold-plated female BNC
		UTP side	RJ-45 or screwless terminal block
	Impedance	Coax male BNC	75 Ohms
Terminal block		100 Ohms	
Other	Dimensions	3 7/8" x 3 3/8" x 1 1/4" (98 x 86 x 32 mm)	
	Humidity range	0 ~ 95%	
	Temperature Range	14°-165°F (-10°-74°C)	
	Case	ABS plastic	

Figure 1: 4-Port Passive Video Hub Detail

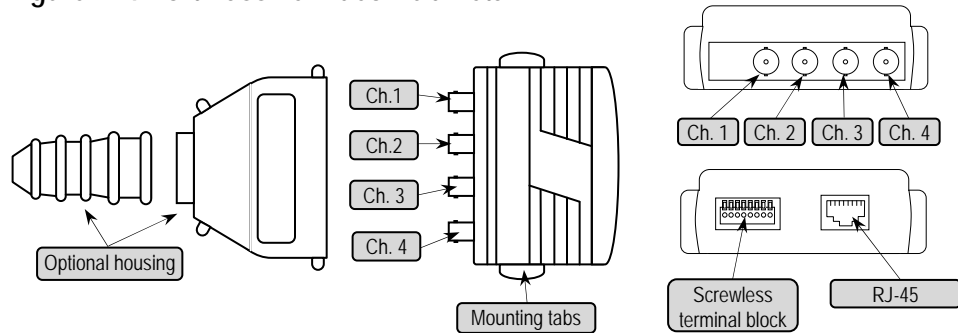
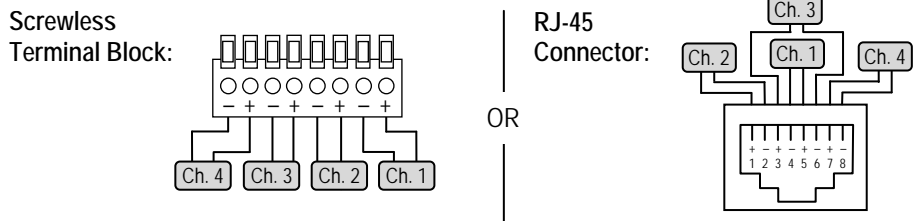


Figure 2: Wiring Diagram

NOTE: When wiring the EVT-PH4-V2W0Q, use either the screwless terminal block OR the RJ-45 connector. Both cannot be used at the same time.



Installation:

Application #1

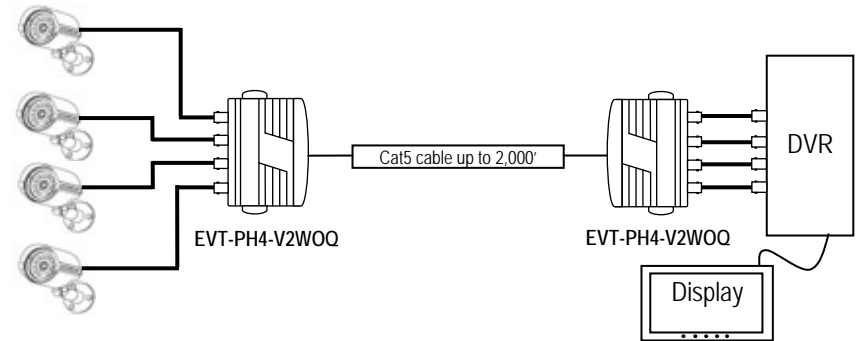
1. Run UTP cable from the multiplexer or DVR to where the hub is being installed.
2. Using coaxial cable, connect the video output of each camera to the female BNC connector 1 through 4 on the camera side hub, see sample application #1 below.
3. Connect the male RJ45 connector of one end of the CAT5 cable into the RJ45 female connector of the camera side hub and connect the other end of the CAT5 cable to the DVR side hub as shown on sample application #1 below.
4. Using coaxial patch cable, connect each video output of the DVR side hub to the desired DVR's video input connector.

Application #2

1. Run UTP cable from the multiplexer or DVR to where the hub is being installed.
2. Using coaxial cable, connect the video output of each camera to the female BNC connector 1 through 4 on the camera side hub, see sample application #2 below.
3. Using 4 ENFORCER EVT-PB1Q passive balun and CAT5 cable, connect each video output of the hub to the desired DVR's video input connector.

Sample Application #1:

Use 2 EVT-PH4-V2W0Q 4-Port Balun Hubs to connect 4 cameras to a DVR over a single Cat5 cable.1



Sample Application #2:

Use 4 EVT-PB1Q Passive Video Baluns and 1 EVT-PH4-V2W0Q 4-Port Balun Hub to connect 4 cameras to a DVR over a single Cat5 cable.

