

ENFORCER[®] Audio/Video

MANUAL

4 x 1 HDMI Switcher MVS-H4101-0Q



Introduction:

The HDMI Switcher allows up to 4 HDMI sources to be connected to a single HDTV display. The switcher works with most HDMI 1.3b devices, delivering the very best in digital audio and video signals with HD resolutions of up to 1080p being supported. An included remote control easily switches between HDMI sources. LED indicators clearly display power status as well as the HDMI source being used.

Features:

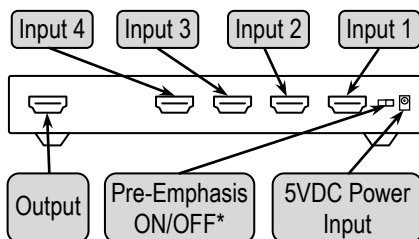
- Switches between four (4) separate HDMI inputs
- Works with most HDMI 1.3b compatible devices
- Gold-Plated connectors for superior picture and sound
- Supports up to full 1080p resolution
- Individual status LEDs for input
- Included remote control for switching between inputs

Specifications:

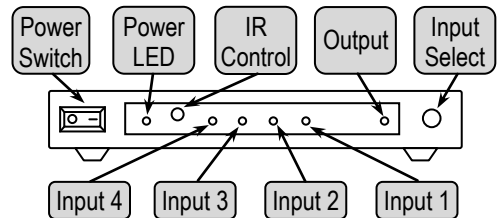
Input video signal	0.5-1V p-p
Input DDC signal	5 Vpp (TTL)
Maximum resolution	1920 x 1200, 1080p
Output video	HDMI 1.3b
Supported resolutions	1080p/1080i/720p 576p/576i/480p/480i
Size	7 1/2 x 3 7/8 x 1 1/4" (190 x 98 x 32 mm)
Weight	8.7 oz (246 g)
Power Consumption	200mA @ 5VDC
Operating temperature	32°~158° F (0°~70° C)
External power supply	5VDC@2A (adapter included)

Overview:

Back



Front



* See note on page 2 for description of Pre-Emphasis Switch

SLI[®] SECO-LARM[®]



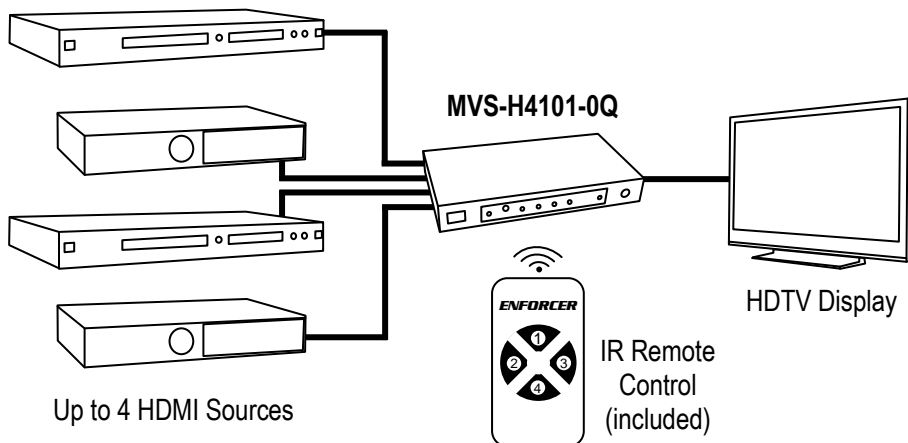
NOTE: Products with a model number that ends with "Q" or have a round green "Q" sticker represent RoHs compliant

Installation:

1. Determine the location of where the HDMI Switcher will be installed in relation to the HDMI sources the unit will be switching between.
2. Plug the HDMI sources into HDMI connector inputs 1-4 on the switcher.
3. Plug the HDMI display into the HDMI connector output on the switcher.
4. Plug the 5VDC adapter into the switcher.
5. Turn the power on the HDMI input and output devices. Using the included remote control or selection button on the switcher, change the HDMI source going to the HDMI display.

NOTE: If long HDMI cables are being used, the picture may be distorted. Turn ON the pre-emphasis switch located on the back of the HDMI switcher to correct this distortion.

Sample Application:



WARRANTY This SECO-LARM product is warranted against defects in material and workmanship while used in normal service for a period of one (1) year from the date of sale to the original consumer customer. SECO-LARM's obligation is limited to the repair or replacement of any defective part if the unit is returned, transportation prepaid, to SECO-LARM. This Warranty is void if damage is caused by or attributed to acts of God, physical or electrical misuse or abuse, neglect, repair, or alteration, improper or abnormal usage, or faulty installation, or if for any other reason SECO-LARM determines that such equipment is not operating properly as a result of causes other than defects in material and workmanship. The sole obligation of SECO-LARM, and the purchaser's exclusive remedy, shall be limited to replacement or repair only, at SECO-LARM's option. In no event shall SECO-LARM be liable for any special, collateral, incidental, or consequential personal or property damages of any kind to the purchaser or anyone else.

NOTICE: The information and specifications printed in this manual are current at the time of publication. However, the SECO-LARM policy is one of continual development and improvement. For this reason, SECO-LARM reserves the right to change specifications without notice. SECO-LARM is also not responsible for misprints or typographical errors. Copyright © 2009 SECO-LARM U.S.A., Inc. All rights reserved. This material may not be reproduced or copied, in whole or in part, without the written permission of SECO-LARM.

SECO-LARM® U.S.A., Inc.

16842 Millikan Avenue, Irvine, CA 92606
Tel: 800-662-0800 / 949-261-2999 Fax: 949-261-7326

Website: www.seco-larm.com
E-mail: sales@seco-larm.com

PICCN3
mi-MVS-H4101-0Q.docx