

Troubleshooting:

Video Amplifier does not function correctly

- Make sure the power, input and output cables are connected firmly to the distributor.
- Make sure the video input device is turned on.
- Make sure the video output device is turned on.
- Test the coaxial cable between the video input and the amplifier to make sure it is functional.
- Test the coaxial cable between the video output and the amplifier to make sure it is functional.

Power LED indicator not lit

- Make sure power is connected to the amplifier.

Also Available from SECO-LARM:

Passive VGA Balun

Passive Video Balun

BNC-to-VGA Converter



EVT-SBP-GQ

EVT-PB1Q

VC-1BAQ

SECO-LARM has a complete line of security products. Please visit [www.seco-larm.com](http://www.seco-larm.com) for more information.

WARRANTY This SECO-LARM product is warranted against defects in material and workmanship while used in normal service for a period of one (1) year from the date of sale to the original consumer customer. SECO-LARM's obligation is limited to the repair or replacement of any defective part if the unit is returned, transportation prepaid, to SECO-LARM. This Warranty is void if damage is caused by or attributed to acts of God, physical or electrical misuse or abuse, neglect, repair, or alteration, improper or abnormal usage, or faulty installation, or if for any other reason SECO-LARM determines that such equipment is not operating properly as a result of causes other than defects in material and workmanship. The sole obligation of SECO-LARM, and the purchaser's exclusive remedy, shall be limited to replacement or repair only, at SECO-LARM's option. In no event shall SECO-LARM be liable for any special, collateral, incidental, or consequential personal or property damages of any kind to the purchaser or anyone else.

NOTICE: The information and specifications printed in this manual are current at the time of publication. However, the SECO-LARM policy is one of continual development and improvement. For this reason, SECO-LARM reserves the right to change specifications without notice. SECO-LARM is also not responsible for misprints or typographical errors. Copyright © 2008 SECO-LARM U.S.A., Inc. All rights reserved. This material may not be reproduced or copied, in whole or in part, without the written permission of SECO-LARM.

SECO-LARM® U.S.A., Inc. 16842 Millikan Avenue, Irvine, CA 92606 Tel: 800-662-0800 / 949-261-2999 Fax: 949-261-7326

Website: [www.seco-larm.com](http://www.seco-larm.com) E-mail: [sales@seco-larm.com](mailto:sales@seco-larm.com) PITSW4 mi-VA-2X0XB-WQ.docx

SECO-LARM U.S.A., Inc.

# ENFORCER VIDEO

## MANUAL Video Amplifiers

Transmission distance up to 3280' (1000m)



VA-2101B-WQ 1 Video Input 1 Video Output



VA-2404B-WQ 4 Video Inputs 4 Video Outputs

The ENFORCER VA-2101B-WQ and VA-2404B-WQ Video Amplifiers are the ideal way to boost the strength of video signals. Using the included 12VDC power adapter, video signals are amplified for transmission distances of up to 3280' (1000m). Brightness and sharpness adjustments can be made independently for each channel to provide fine-tuning of video signals.



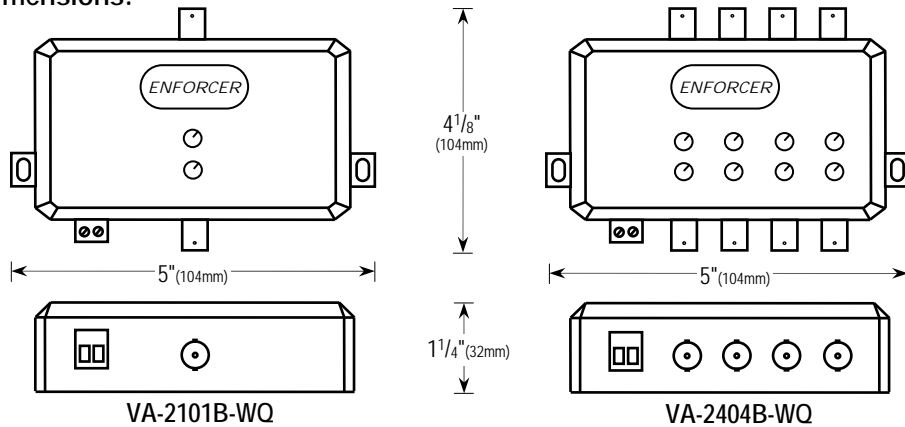
**Features:**

- Compatible with both color and B/W signals.
- Transmission distance up to 3,280' (1,000m).
- Connect to a video camera, multiplexer, DVR and so on.
- Gold-plated BNC connectors
- Sharpness and brightness adjustments for each channel.
- 12VDC power adapter included.
- Pass-through circuit: Power output can power nearby devices.

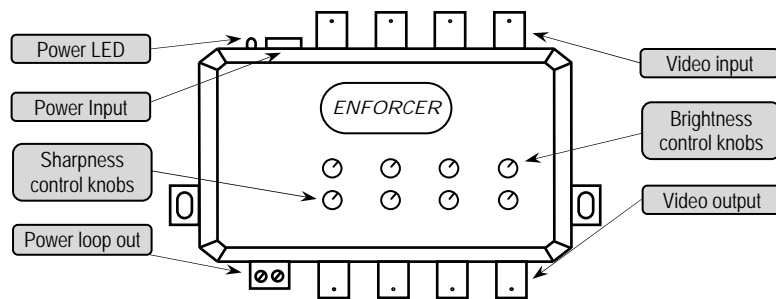
**Specifications:**

	VA-2101B-WQ	VA-2404B-WQ
Number of inputs	1	4
Number of outputs	1	4
Maximum range	3280' (1000m)	
Video input level	0.8-1.2Vpp, 75ohms	
Video output level	1Vpp, 75ohms	
Video bandwidth	10hz-10MHz	
Power supply	12VDC	
Current consumption	100mA	220mA
Dimensions	5" x 4 1/8" x 1 3/8" (127 x 104 x 35 mm)	
Weight	4.1 oz (116g)	6.3 oz. (116g)

**Dimensions:**



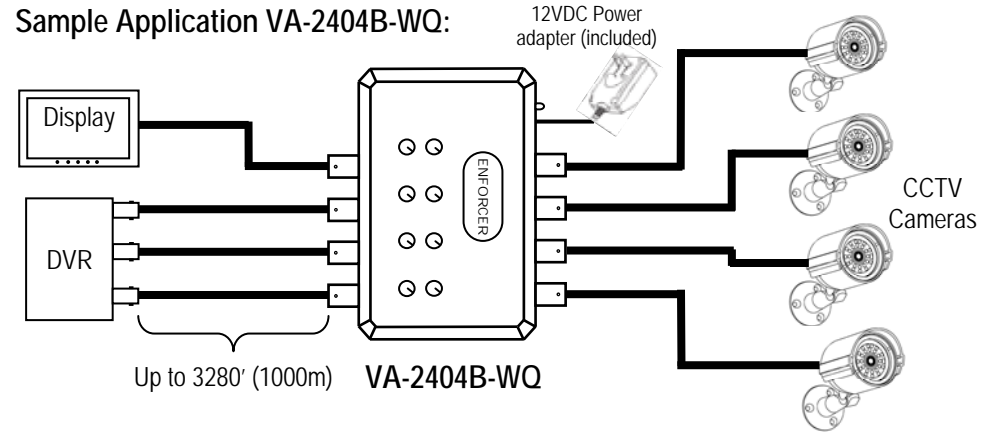
**Overview:**



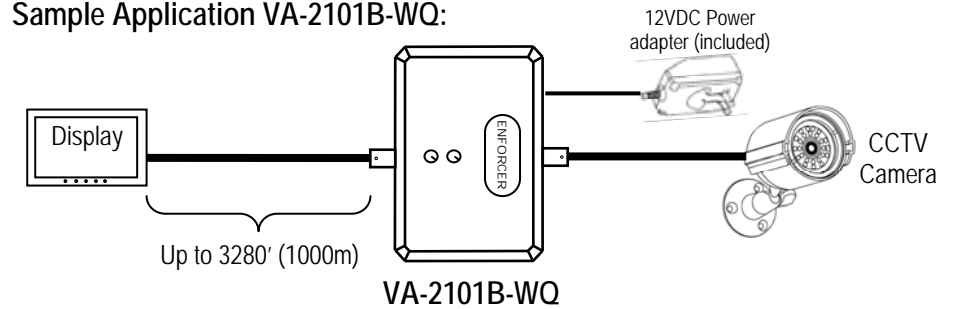
**Installation:**

1. Mount and install the amplifier where the video inputs and outputs can be easily accessed.
2. Connect the video output of each camera to the female BNC input connector(s) on the amplifier.
3. Connect coax cable from the female output BNC connector(s) to the DVR or display.
4. Connect power to the distributor with the included 12VDC power adapter.
5. Turn on power to the video input and the video output units the amplifier is connected to.

**Sample Application VA-2404B-WQ:**

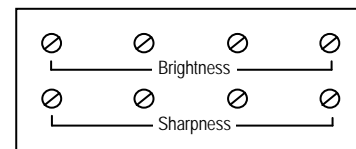


**Sample Application VA-2101B-WQ:**



**Brightness and Sharpness Adjustments:**

The ENFORCER VA-2101B-WQ and VA-2404B-WQ Video Amplifiers have sharpness and brightness adjustments for each channel. Turn the knobs with a small screwdriver clockwise to increase the sharpness or brightness, or counter-clockwise to decrease them.



**Power Loop Out:**

The ENFORCER VA-2101B-WQ and VA-2404B-WQ Video Amplifiers have the ability to power other 12VDC devices. Connect other devices to the Power Loop Out terminal blocks.

**NOTE:** The current draw of the Video Amplifiers will lower the amount of voltage present at the Power Loop Out. To ensure proper operation of connected devices, first check the voltage present at the terminal blocks.