

SECO-LARM®

Motorized Cabinet Lock

CL-210M-U3BQ

Installation Manual



The SECO-LARM Motorized Cabinet Lock provides security for lockers, cabinets, cases, and drawers. The built-in door status sensor and fail-secure operation offer additional security. The Motorized Cabinet Lock's small size and compatibility with existing keypads or readers allow for various installations.

- Electronically secure lockers, cabinets, cases, and drawers
- Lock status sensor monitors whether the lock is engaged
- Compatible with existing keypads or readers
- Spring feature gently pushes the door open
- Fail-secure operation
- Various mounting positions
- 12~24 VAC/VDC Operating voltage
- Low current draw:
 - 10mA@12/24 VDC (standby)
 - 70mA@12/24 VDC (active)
- 220-lb (100kg) Holding force
- Two locking orientations

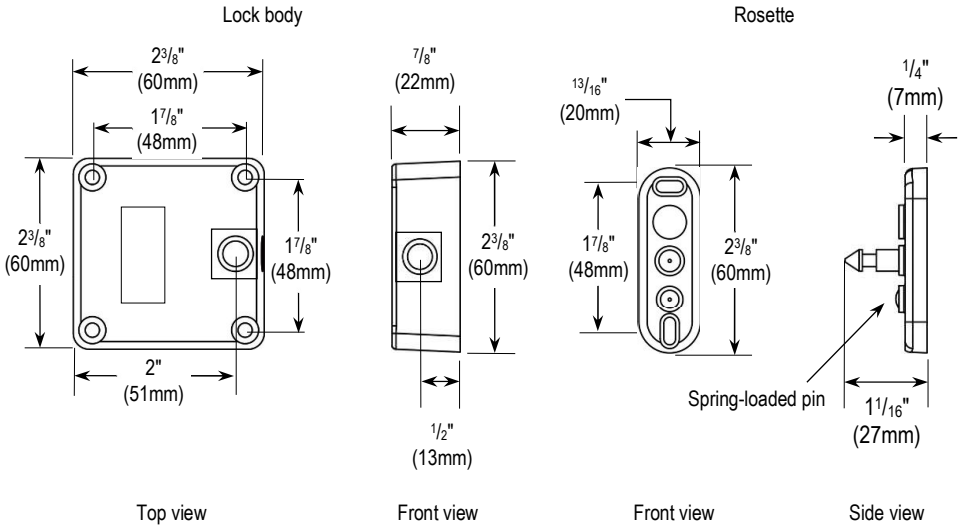
Parts List

1x Lock body	1x Rosette	1x 5-Pin connector	5x Crimp connectors
4x Long wood screws	2x Short wood screws	1x Manual	

Specifications

Operation	Fail-Secure
Operating voltage	12~24 VAC/VDC
Current draw	10mA@12/24 VDC
Standby	70mA@12/24 VDC
Active	1A@125VAC
Door status output	220-lb (100kg)
Holding force	2~5 seconds
Relock time delay	Polyamide
Case	0~95% non-condensing
Operating humidity	14°~113° F (-10°~45° C)
Operating temperature	2 ³ / ₈ "x2 ³ / ₈ "x1 ⁷ / ₈ " (60x60x22 mm)
Dimensions	1 ³ / ₁₆ "x2 ³ / ₈ "x1 ¹ / ₁₆ " (20x60x27 mm)
Lock body	
Rosette	
Weight	3-oz (93g)

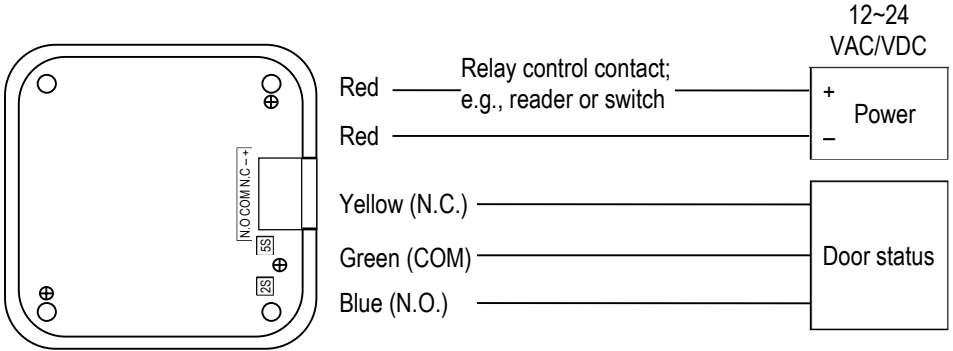
Overview



Installation

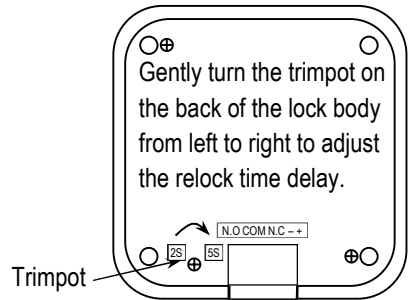
1. Find a suitable location for the cabinet lock. Ensure the lock body and rosette do not prevent the drawer/door from opening and closing completely.
2. Set relock time delay. See "Relock Time Delay" below.
3. Wire the cabinet lock according to the wiring diagram below.
4. Mount the lock body using the included 4 long wood screws.
5. Apply a small piece of double-sided tape (not included) to the back of the rosette and gently insert the pin into the receptacle on the lock body as to not lock the pin in place. Check that the rosette is orientated correctly.
6. Close the drawer/door and open again. The rosette will be attached in the correct location.
NOTE: If the pin becomes locked, trigger the relay control contact to unlock it.
7. Secure the rosette to the drawer/door using the included 2 short wood screws.
8. Test to ensure the rosette is aligned properly. Make adjustments as needed.

Wiring Diagram

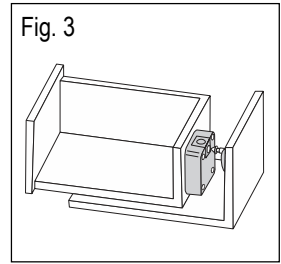
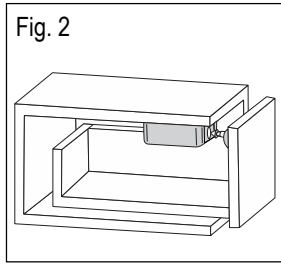
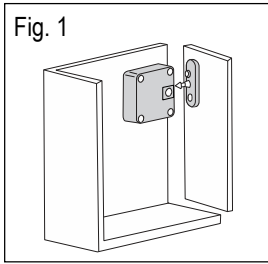


Relock Time Delay

NOTE: Connected access control devices must set the time delay an additional 3 seconds longer than the Motorized Cabinet Lock's relock time delay.



Sample Applications



Troubleshooting

Doesn't unlock

- Check connection to power
- Check connection to reader, switch, etc.

Doesn't lock

- Check connection to power
- Make sure the rosette's pin is going into the receptacle unobstructed and engaging the locking element completely

IMPORTANT: Users and installers of this product are responsible for ensuring that the installation and configuration of this product complies with all national, state, and local laws and codes. SECO-LARM will not be held responsible for the use of this product in violation of any current laws or codes.

California Proposition 65 Warning: These products may contain chemicals which are known to the State of California to cause cancer and birth defects or other reproductive harm. For more information, go to www.P65Warnings.ca.gov.

WARRANTY: This SECO-LARM product is warranted against defects in material and workmanship while used in normal service for two (2) years from the date of sale to the original customer. SECO-LARM's obligation is limited to the repair or replacement of any defective part if the unit is returned, transportation prepaid, to SECO-LARM. This Warranty is void if damage is caused by or attributed to acts of God, physical or electrical misuse or abuse, neglect, repair or alteration, improper or abnormal usage, or faulty installation, or if for any other reason SECO-LARM determines that such equipment is not operating properly as a result of causes other than defects in material and workmanship. The sole obligation of SECO-LARM and the purchaser's exclusive remedy, shall be limited to the replacement or repair only, at SECO-LARM's option. In no event shall SECO-LARM be liable for any special, collateral, incidental, or consequential personal or property damage of any kind to the purchaser or anyone else.

NOTICE: The SECO-LARM policy is one of continual development and improvement. For that reason, SECO LARM reserves the right to change specifications without notice. SECO-LARM is also not responsible for misprints. All trademarks are the property of SECO-LARM U.S.A., Inc. or their respective owners. Copyright © 2026 SECO-LARM U.S.A., Inc. All rights reserved.

SECO-LARM® U.S.A., Inc.

16842 Millikan Avenue, Irvine, CA 92606
Phone: (949) 261-2999 | (800) 662-0800

Website: www.seco-larm.com
Email: sales@seco-larm.com

 PITGW1

ML_CI-210M-U3BQ_260407.docx