

SECO-LARM™

Glass Door U-Brackets for Electromagnetic Locks

E-941S-600/UQ / E-941S-1K2/UQ

Installation Manual



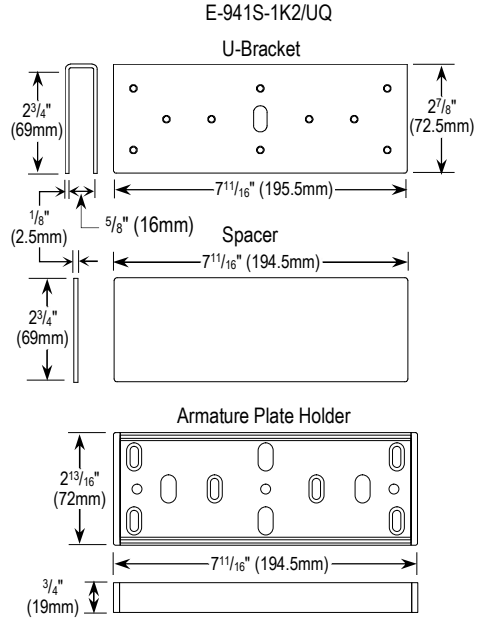
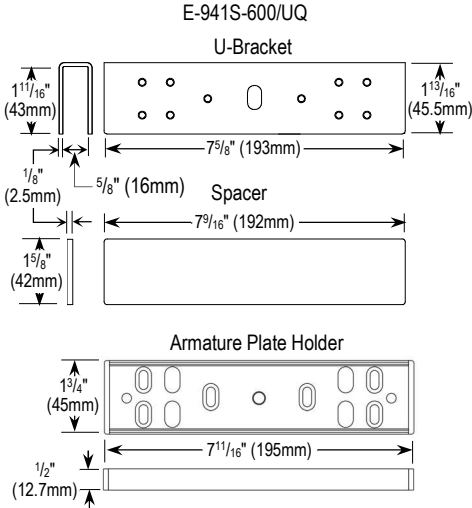
- For mounting to 9~13mm thick glass doors
- Armature plate holder and mounting hardware included
- Compatibility chart below. Check the product page at www.seco-larm.com for specific product compatibility

Model	SECO-LARM Compatibility
E-941S-600/UQ	For 600-lb Electromagnetic locks
E-941S-1K2/UQ	For 1,200-lb Electromagnetic locks

Parts List

- | | |
|--------------------------|---------------------|
| 1x U-Bracket | 1x Armature screw |
| 1x Armature plate holder | 6x Flat-head screws |
| 4x Round-head screws | 1x Spacer |
| 1x Rubber washer | 1x Manual |
| 6x Self-tapping screws* | |
- *Self-tapping screws are not needed for glass-door installations.

Overview



NOTE: E-941S-600/UQ and E-941S-1K2/UQ are not drawn to the same scale.

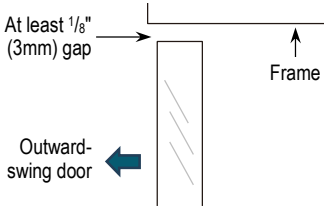
Installation Notes

Before beginning installation, read the entire manual carefully. Some things to take note of before beginning.

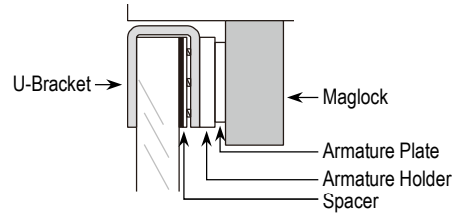
- Since the armature plate holder is designed to keep the armature in place, the guide pins included with the maglock are not needed and should not be used.
- For the same reason, only the rubber washer is necessary and requires using the shorter armature screw included with this product.

Installation

Step 1: Prepare for installation

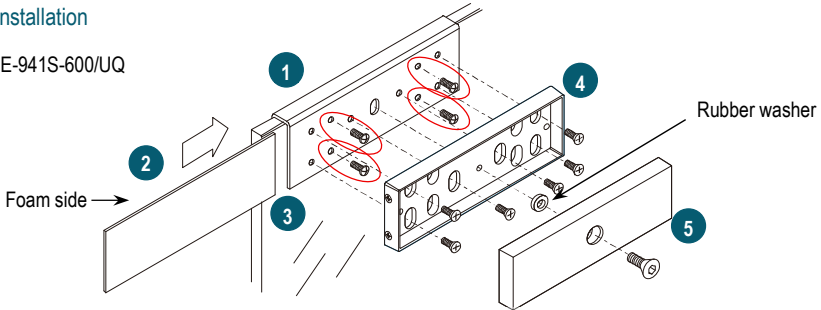


Step 2: Typical Installation



Step 3: Installation

E-941S-600/UQ

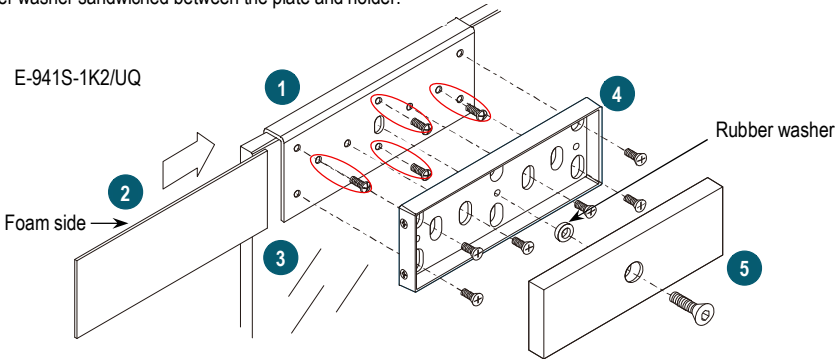


1. Place U-bracket over glass door.
2. Slide spacer between bracket and door with foam side facing the glass.
3. Tighten in place with 4 round-head screws (note the correct holes circled).
4. Attach armature plate holder with 6 flat-head machine screws.*
5. Mount the armature plate using the armature screw and a rubber washer sandwiched between the plate and holder.

NOTES:

- Use only the armature screw supplied with the bracket.
- Use the provided rubber washer.
- Do not overly tighten the armature to allow the armature plate to pivot around the armature screw.
- Do NOT use the armature plate guide pins.

E-941S-1K2/UQ



*The provided self-tapping screws are not used for glass door installations.

IMPORTANT: Users and installers of this product are responsible for ensuring that the installation and configuration of this product complies with all national, state, and local laws and codes. SECO-LARM will not be held responsible for the use of this product in violation of any current laws or codes.

California Proposition 65 Warning: These products may contain chemicals which are known to the State of California to cause cancer and birth defects or other reproductive harm. For more information, go to www.P65Warnings.ca.gov.

WARRANTY: This SECO-LARM product is warranted against defects in material and workmanship while used in normal service for one (1) year from the date of sale to the original customer. SECO-LARM's obligation is limited to the repair or replacement of any defective part if the unit is returned, transportation prepaid, to SECO-LARM. This Warranty is void if damage is caused by or attributed to acts of God, physical or electrical misuse or abuse, neglect, repair or alteration, improper or abnormal usage, or faulty installation, or if for any other reason SECO-LARM determines that such equipment is not operating properly as a result of causes other than defects in material and workmanship. The sole obligation of SECO-LARM and the purchaser's exclusive remedy, shall be limited to the replacement or repair only, at SECO-LARM's option. In no event shall SECO-LARM be liable for any special, collateral, incidental, or consequential personal or property damage of any kind to the purchaser or anyone else.

NOTICE: The SECO-LARM policy is one of continual development and improvement. For that reason, SECO-LARM reserves the right to change specifications without notice. SECO-LARM is also not responsible for misprints. All trademarks are the property of SECO-LARM U.S.A., Inc. or their respective owners. Copyright © 2025 SECO-LARM U.S.A., Inc. All rights reserved.

SECO-LARM® U.S.A., Inc.

16842 Millikan Avenue, Irvine, CA 92606
Phone: (949) 261-2999 | (800) 662-0800

Website: www.seco-larm.com
Email: sales@seco-larm.com

 PITSW2

MI_E-941S-xxxUQ_250910.docx