

ENFORCER®

Multicolor Illuminated Vandal Resistant Request-to-Exit Plates

Manual



SD-7275SGEX1Q shown



SD-7175SGEX1Q	Brushed stainless slimline faceplate with English and Spanish
SD-7275SGEX1Q	Brushed stainless single-gang faceplate with English and Spanish
SD-7275SGEX2Q	Brushed stainless single-gang faceplate with English and Arabic

Features:

- Vandal resistant, $\varnothing 1"$ ($\varnothing 25\text{mm}$) multicolor illuminated momentary pushbutton
- Illuminated 12VDC LED (supports 24VDC with included 1k Ω , 1/4W resistor)
- NO/NC Contact rated 50A@24VAC
- Switch is IP65 rated for outdoor use
- Selectable LED color (red, green, blue, magenta, yellow, cyan, or white)
- "EXIT" and "SALIDA" silk-screened on plate (SD-7275SGEX2Q is English and Arabic)
- Conforms to UL294

ENFORCER Multicolor Illuminated Vandal Resistant Request-to-Exit Plates

Introduction:

Please read the manual carefully before beginning installation.

The ENFORCER Multicolor Illuminated Vandal Resistant Request-To-Exit Plates use a stainless steel vandal resistant button, illuminated by a perimeter LED. The LED color is easily selectable during installation to not only red, green, or blue, but also yellow, cyan, magenta, or white.

Parts List:

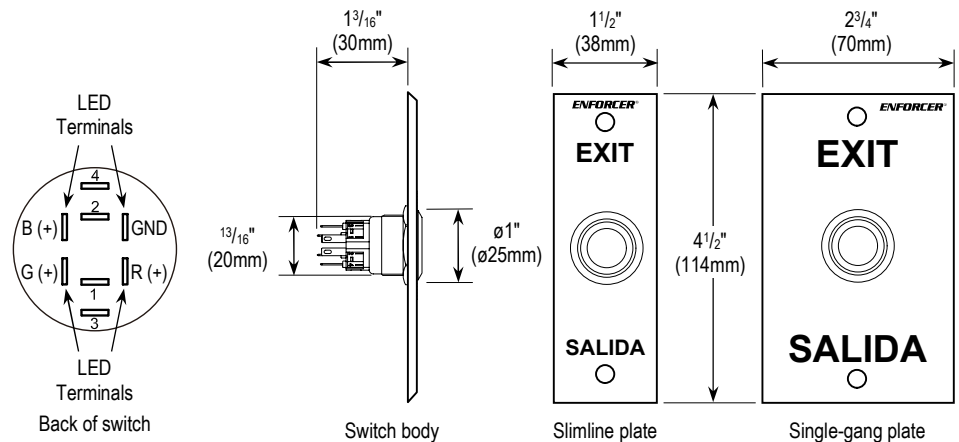
1x RTE button with faceplate	2x Mounting screws	8x Crimp style push on connectors
1x 1k Ω , 1/4W resistor	1x Manual	

Specifications:

Model	SD-7175SGEX1Q	SD-7275SGEX1Q / SD-7275SGEX2Q
Faceplate	Brushed stainless slimline	Brushed stainless single-gang
Button	Vandal resistant with multi-color circular perimeter LED	
LED colors	Red, green, blue, magenta, yellow, cyan, or white	
Operating voltage	12/24* VDC	
Contact rating	20A@24VAC / 1A@24VDC	
Electrical configuration	DPST	
Destructive attack level	Level I	
Line security	Level I	
Endurance level	Level I	
Standby power	Level I	
IP Rating	IP65	
Operating temperature	-13°~131° F (-25°~55° C)	
Dimensions	1 1/2" x 4 1/2" x 1 3/16" (38x114x30 mm)	2 3/4" x 4 1/2" x 1 3/16" (70x114x30 mm)
Weight	2-oz (58g)	3.1-oz (88g)

*For 24VDC, must use included resistor

Overview:

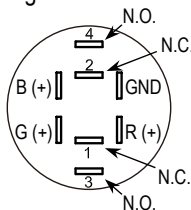


ENFORCER Multicolor Illuminated Vandal Resistant Request-to-Exit Plates

Basic Installation:

- Run four wires through the wall to the back box.
- Connect 2~4 wires (12VDC) to the illumination terminals.
 - The positive (+) terminals determine the LED color (See "LED Color Choice" below).
 - For 24VDC operation, install supplied resistor (1kΩ, 1/4W) inline on the "+" illumination wire.
- Connect 2 wires to either 1 and 2 (N.C.) or 3 and 4 (N.O.) terminals (see Fig. 1), using the included crimp style push on connectors.
- Use a waterproof back box and apply silicone sealant where the faceplate meets the back box and around the mounting screws to ensure a weather-proof installation. Screw plate to the back box, using caution not to pinch any wires.

Fig. 1



NOTE: Use only low-voltage, power-limited/Class 2 power supply and low-voltage field wiring not to exceed 98.5ft (30m).

LED Color Choice:

The circular perimeter LED can be set to one or two of seven colors during installation. See "Wiring Diagram" on pg. 4 for how to set one color on standby and another during activation.

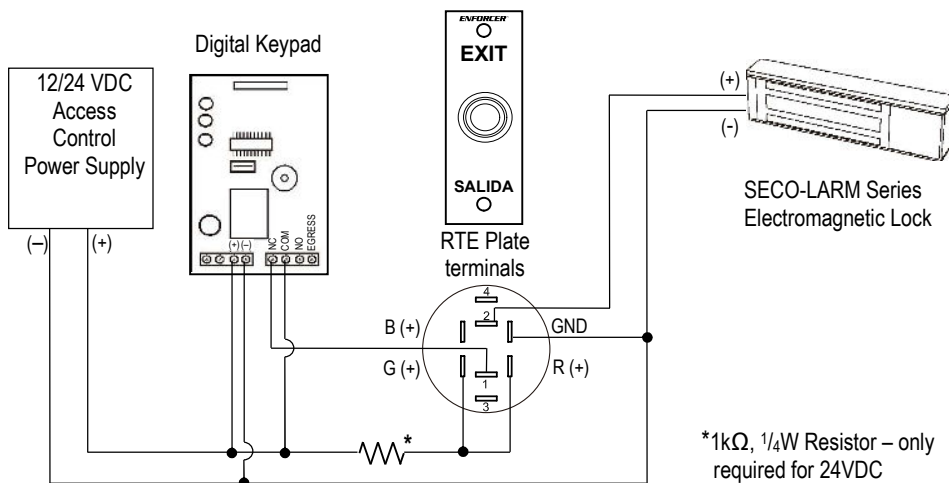
- Connect a wire from the power supply's negative (-) terminal to the switch's GND terminal (see Fig. 1).
- Connect one or more wires from the power supply's positive (+) terminal according to the color desired. See the Color Connection Chart (Fig. 2).

Fig. 2: Color Connection Chart

LED Color	Positive (+) terminal connections
Red	R (+)
Green	G (+)
Blue	B (+)
Magenta	R (+) and B (+)
Yellow	G (+) and R (+)
Cyan	B (+) and G (+)
White	R (+), B (+), and G (+)

Wiring Diagram:

Basic Installation with Fail-Safe Electromagnetic Lock and Keypad: Yellow Constant On LED



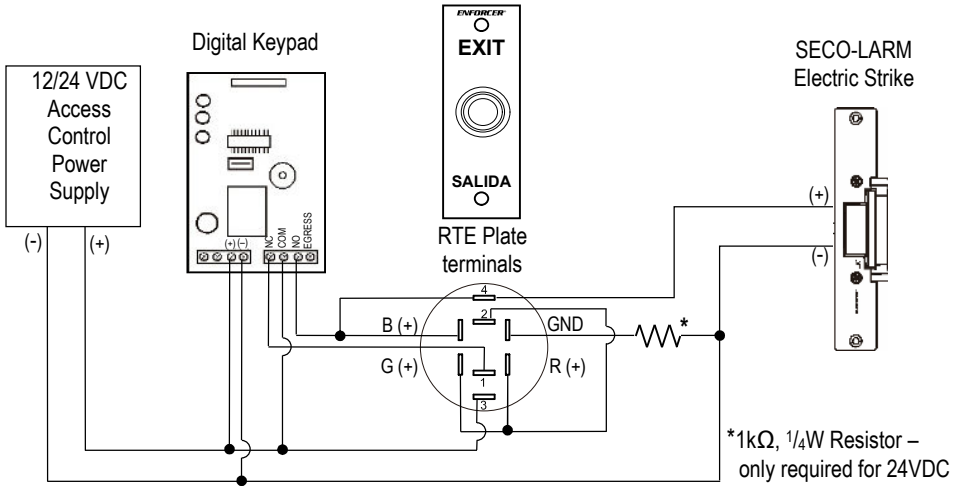
*1kΩ, 1/4W Resistor – only required for 24VDC

NOTE: Use only low-voltage, power-limited/Class 2 power supply and low-voltage field wiring not to exceed 98.5ft (30m).

ENFORCER Multicolor Illuminated Vandal Resistant Request-to-Exit Plates

Wiring Diagram:

Basic Installation with Fail-Secure Electric Strike and Keypad: Yellow on standby, Blue on activation.



NOTES:

- Use only low-voltage, power-limited/Class 2 power supply and low-voltage field wiring not to exceed 98.5ft (30m).
- Two colors that both require multiple terminal connections cannot be used together (e.g., magenta and yellow). The result will be a constant white LED.
- Two colors that share a terminal connection cannot be used together. The resulting LED color will be the color achieved through multiple terminal connections. (e.g., red and yellow results in a constant yellow LED)

California Proposition 65 Warning: These products may contain chemicals which are known to the State of California to cause cancer and birth defects or other reproductive harm. For more information, go to www.P65Warnings.ca.gov.

IMPORTANT: Users and installers of this product are responsible for ensuring that the installation and configuration of this product complies with all national, state, and local laws and codes related to locking and egress devices. SECO-LARM will not be held responsible for the use of this product in violation of any current laws or codes.

IMPORTANT WARNING: For a weather-resistant installation, ensure the unit is installed in a waterproof back box, and that the faceplate and faceplate screws are properly sealed. Incorrect mounting may lead to exposure to rain or moisture in the enclosure which could cause a dangerous electric shock, damage the device, and void the warranty. Users and installers of this product are responsible for ensuring this product is properly installed and sealed.

WARRANTY: This SECO-LARM product is warranted against defects in material and workmanship while used in normal service for one (1) year from the date of sale to the original customer. SECO-LARM's obligation is limited to the repair or replacement of any defective part if the unit is returned, transportation prepaid, to SECO-LARM. This Warranty is void if damage is caused by or attributed to acts of God, physical or electrical misuse or abuse, neglect, repair or alteration, improper or abnormal usage, or faulty installation, or if for any other reason SECO-LARM determines that such equipment is not operating properly as a result of causes other than defects in material and workmanship. The sole obligation of SECO-LARM and the purchaser's exclusive remedy, shall be limited to the replacement or repair only, at SECO-LARM's option. In no event shall SECO-LARM be liable for any special, collateral, incidental, or consequential personal or property damage of any kind to the purchaser or anyone else.

NOTICE: The SECO-LARM policy is one of continual development and improvement. For that reason, SECO-LARM reserves the right to change specifications without notice. SECO-LARM is also not responsible for misprints. All trademarks are the property of SECO-LARM U.S.A., Inc. or their respective owners. Copyright © 2023 SECO-LARM U.S.A., Inc. All rights reserved.

SECO-LARM® U.S.A., Inc.

16842 Millikan Avenue, Irvine, CA 92606
Phone: (949) 261-2999 | (800) 662-0800

Website: www.seco-larm.com
Email: sales@seco-larm.com

 PITSW1
Order Part# 763-157-7%
ML_SD-7x75SGEXxQ_220909.docx