

LED Strobe Lights

Installation Manual



SL-1301-SAQ shown



Model	Voltage	LEDs	Flash	Backup Battery	Siren
SL-1301-EAQ/x†	9~15 VDC	8	Strobe, 120 times/min	No	No
SL-1301-BAQ/x*	9~24 VAC/VDC	26‡	Custom, 80~260 times/min	Yes	No
SL-1301-SAQ/x*	9~24 VAC/VDC	41‡	Custom, 80~260 times/min	Yes	Yes

*EAQ series is not CE certified.

†Replace "x" with the first letter of the desired lens color—clear, amber, blue, green, or red.

‡New, ultra-high-intensity LEDs

- Uses high-intensity LEDs providing over 50,000 hours (over 5.7 years) operating life
- Same size as the SL-126Q strobe light
- Simple 2-wire installation with reverse polarity protection
- 5 lens colors available for each model
- High-impact resistant case and high-impact, heat-resistant lens
- Visible in all directions
- Weatherproof or weather-resistant (depending on model) when properly installed

BAQ series includes all the above features, plus:

- Ultra-high-intensity LEDs, 5 Vertical LED strips (26 LEDs total) for greater brightness/visibility
- 8 Different flashing patterns and adjustable duty cycle
- Adjustable flashing speed (80~260 times/min)
- Backup battery available for continuous lighting applications

SAQ series includes all features of the BAQ series, plus:

- Ultra-high-intensity LEDs, 10 Vertical LED strips (41 LEDs total) for even greater brightness
- Built-in 100dB siren (programmable)

Parts List

1x LED Strobe light 1x Adhesive gasket* 2x Mounting screws with "O" rings 1x Manual
 *SL-1301-EAQ only

Specifications

Model	SL-1301-EAQ	SL-1301-BAQ	SL-1301-SAQ	
Vertical LED strips	0	5	10	
Total number of LEDs	8	26	41	
LED Type	High intensity	Ultra-high intensity		
Operating voltage	9~15 VDC	9~24 VAC/VDC		
Current draw @12VDC (max.)	Rotate clockwise	N/A*	100mA	200mA†
	Strobe	500mA	450mA	720mA†
	Steady ON	N/A*	450mA	720mA†
	Flash with progressive ON	N/A*	450mA	720mA†
	Rotate back and forth	N/A*	100mA	200mA†
	Flash, progressive ON/OFF	N/A*	450mA	720mA†
Adjustable flash pattern	No*	Yes		
Number of flash patterns	1*	8		
Flashing speed	Maximum (±15%)	Fixed 120 times/min	260 Times/min	
	Minimum (±15%)		80 Times/min	
Operating life	Over 50,000 hours (over 5.7 years)			
Backup battery function‡	No	Yes		
Backup battery life‡	Steady ON	N/A	Up to 1 hour§	Up to 45 mins§
	Strobe/flashing		Up to 3 hours§	Up to 1.5 hours§
Built-in siren	No		Yes (100dB@1m)	
Electrical protection	Reverse polarity protection			
IP Rating (when properly installed)**	IP64 weather-resistant	IP66 weatherproof	IP55 weatherproof	
Operating humidity	Up to 85% relative humidity			
Operating temperature	-4°~144° F (-20°~65° C)			
Material	Base	High-impact- resistant black ABS		
	Lens	High-impact-, heat-resistant acrylic		
Dimensions	ø3 ¹⁵ / ₁₆ "x3 ¹ / ₈ " (ø100x79 mm)			
Weight	7.55-oz (214g)	8.25-oz (234g)	8.9-oz (252g)	

*SL-1301-EAQ series has strobe only

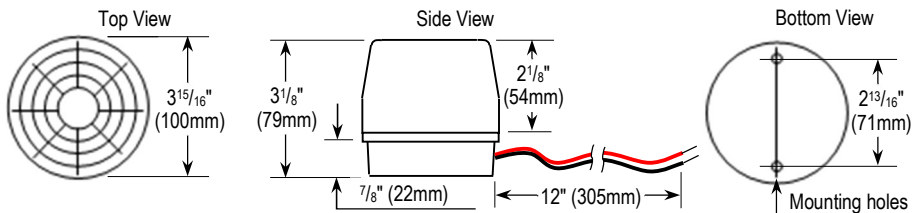
†With siren enabled

‡9VDC battery not included

§Estimated, depending on mode

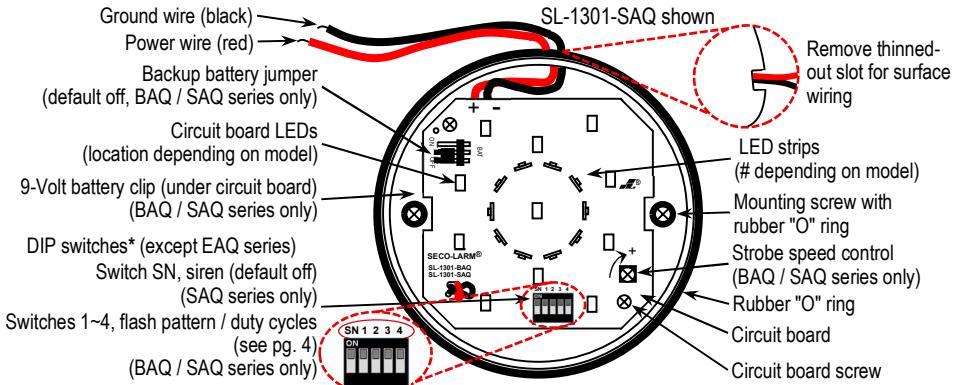
**For increased weather resistance, apply a bead of silicone sealant around the base before mounting.

Dimensions



NOTE: Be sure to use the LED strobe light within the given electrical limits.

Overview



*Switch labels are etched on the PCB "SN 1 2 3 4" for programming the DIP Switches.

Installation

Before starting, read the entire manual carefully and keep it for future reference.

- Unscrew the strobe light lens and set aside.
- For direct mounting to a flat surface:
 - Using the base as a template, mark the mounting and wiring holes. Drill two 1/16" (2.3mm) mounting holes.
 - For concealed wiring, drill a hole large enough for wires and connectors to pass through without coming loose. For surface wiring, remove the thinned-out slot with pliers (see Overview, above). Skip to step 4.
- For mounting to ENFORCER conduit box/conduit drop (screws and gasket supplied with conduit box/drop):
 - Thread the wires from the conduit through the adapter plate supplied with the conduit box/drop.
 - Attach the plate using the short screws. Thread wires through the gasket.
- Connect the wires, red to positive, black to negative.
- Mount the base with the included long screws with rubber "O" rings, taking care not to crimp the wires. *If screws are fastened too tightly, the "O" rings will be damaged.* (SL-1301-EAQ series skip to step 9)
- Select flash pattern / duty cycle with DIP Switches (see *Configuring Flash Pattern / Duty Cycle*, pg. 4). Adjust rate with the Strobe Speed Control (clockwise increases, counterclockwise decreases, see Overview above).
- Set the siren (SL-1301-SAQ only) to on or off using DIP switch SN (default – OFF, see Overview, above).
- If desired, install a backup battery. (See *Installing the Backup Battery*, below).
- Replace the lens. If the lens is fastened too tightly, the "O" ring will be damaged.

Installing the Backup Battery

For continuous lighting applications, the backup battery will power the LED strobe light in the event of power loss.

- Remove the circuit board screws and flip the circuit board over. The battery holder is attached to the back.
- Connect a 9-volt battery (not included) to the battery connector (rechargeable batteries not supported).
- Replace the circuit board and screws and move the backup battery jumper to the ON position.

Troubleshooting

- | | |
|-----------------------------------------------|-------------------------------------------------------------------|
| The LED strobe light does not turn on | • Check the LED strobe light's power source. |
| The LED strobe light does not flash correctly | • Disconnect power, configure flash pattern, and reconnect power. |

NOTICE: The SECO-LARM policy is one of continual development and improvement. For that reason, SECO-LARM reserves the right to change specifications without notice. SECO-LARM is also not responsible for misprints. All trademarks are the property of SECO-LARM U.S.A., Inc. or their respective owners. Copyright © 2025 SECO-LARM U.S.A., Inc. All rights reserved.

Configuring Flash Pattern / Duty Cycle (SL-1301-BAQ / SL-1301-SAQ only)

Flash patterns and duty cycles (flash patterns 1, 2, and 5 only) are customizable. The "One-Eighth Duty Cycle" produces a sharper "strobe" more like traditional strobes. DIP Switch #4 controls the duty cycle (if supported). Visit www.seco-larm.com for a flash patterns / duty cycle demonstration.

IMPORTANT: Before changing DIP switches, disconnect power. Reconnect after setting switches.

NOTE: The switch numbers are enscribed on the PCB, **NOT** on the switch. The BAQ series has no SN switch.

	DIP Switch Position	Description	Flash Pattern Top View (SL-1301-BAQ Shown)
A		Regular Duty Cycle LED on one-half / off one-half of each cycle (default) (Switch #4 ON, only effective for flash patterns 1, 2, and 5)	
B		One-Eighth Duty Cycle LED on one-eighth / off seven-eighths of each cycle (Switch #4 OFF, only effective for flash patterns 1, 2, and 5)	
1		Strobe LEDs flash on and off continuously. (default) (Switch #4 controls the duty cycle)	
2		Rotate Clockwise Light rotates clockwise in a circular fashion continuously (beacon). (Switch #4 controls the duty cycle)	
3		Steady ON All LEDs stay on. Ideal for continuous lighting applications.	
4		Flash with Progressive ON LEDs turn on progressively clockwise until all LEDs are lit (sweep) and then turn off.	
5		Rotate Back and Forth LED groups light up one at a time clockwise then counterclockwise. (Switch #4 controls the duty cycle)	
6		Flash with Progressive ON/OFF LEDs turn on progressively clockwise (sweep), then turn off progressively counterclockwise.	
7		Opposite Quarters Flashing Continuously LEDs in opposite quarters flash alternately, repeating continuously.	
8		Opposite Quarters Flashing with Pause LEDs in opposite quarters flash alternately for 8 cycles, pause for 2 cycles, and then repeat the pattern.	

California Proposition 65 Warning: These products may contain chemicals which are known to the State of California to cause cancer and birth defects or other reproductive harm. For more information, go to www.P65Warnings.ca.gov.

WARRANTY: This SECO-LARM product is warranted against defects in material and workmanship while used in normal service for one (1) year from the date of sale to the original customer. SECO-LARM's obligation is limited to the repair or replacement of any defective part if the unit is returned, transportation prepaid, to SECO-LARM. This Warranty is void if damage is caused by or attributed to acts of God, physical or electrical misuse or abuse, neglect, repair or alteration, improper or abnormal usage, or faulty installation, or if for any other reason SECO-LARM determines that such equipment is not operating properly as a result of causes other than defects in material and workmanship. The sole obligation of SECO-LARM and the purchaser's exclusive remedy, shall be limited to the replacement or repair only, at SECO-LARM's option. In no event shall SECO-LARM be liable for any special, collateral, incidental, or consequential personal or property damage of any kind to the purchaser or anyone else.

SECO-LARM® U.S.A., Inc.

16842 Millikan Avenue, Irvine, CA 92606
Phone: (949) 261-2999 | (800) 662-0800

Website: www.seco-larm.com
Email: sales@seco-larm.com

PITSW1
Order Part# 762-509-10%
ML_SL-1301-xAQ_250918.docx