

Strobe Light Conduit Drop Bracket / Conduit Box Bracket

Installation Manual



SL-1901-DAQ



SL-1901-JAQ

- Compatible with all ENFORCER SL-126 series, SL-1301 series, and SL-3301 series and other similar strobe lights.
- Compatible with all ENFORCER Strobe Lights to mount to Conduit Box (EV-DSSGQ / EV-DSSWQ) and Conduit Drop (EV-DDSGQ / EV-DDSWQ)
- Includes adaptor plate, gasket, and all mounting hardware

Model	
SL-1901-DAQ	Conduit Drop Bracket
SL-1901-JAQ	Conduit Box Bracket

Parts List

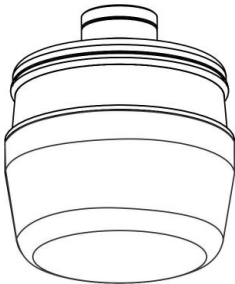
- | | |
|------------------|------------------|
| 1x Bracket | 4x Medium screws |
| 1x Adapter plate | 2x Short screws |
| 1x Rubber gasket | 2x Long screws |
| 1x Manual | |



Overview

The Conduit Drop Bracket or Conduit Box Bracket may be used together or separately for 3 different installation possibilities for a strobe light: to either a conduit box or conduit drop separately, or a conduit box in conjunction with a conduit drop.

Installation to
Conduit Drop



Installation to Conduit
Box



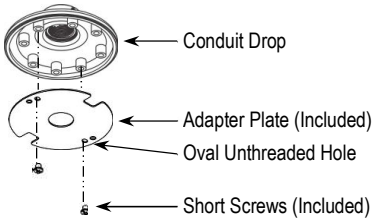
Installation to Conduit Box
and Conduit Drop



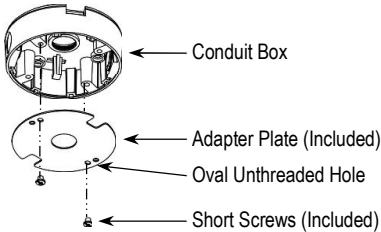
Sample Installation

Step 1: After installing/assembling conduit box or conduit drop, attach adapter plate as shown below.

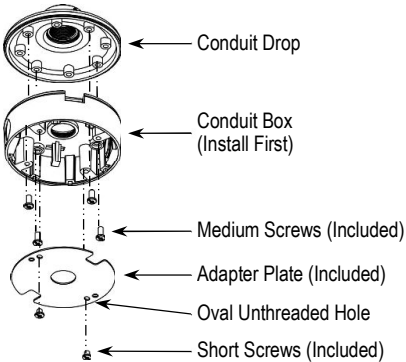
To Conduit Drop Only



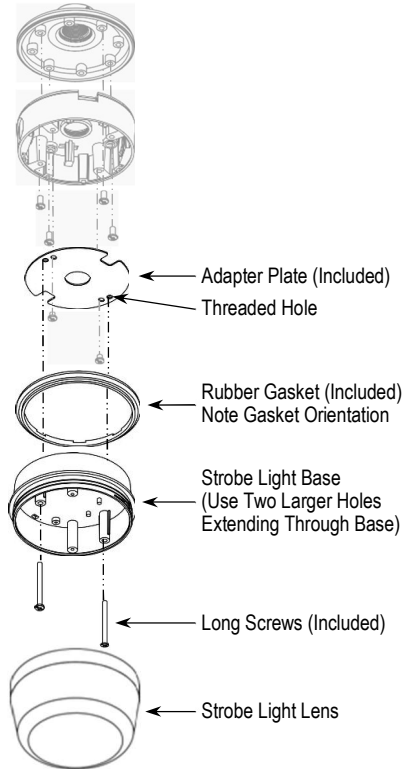
To Conduit Box Only



To Conduit Box and Conduit Drop



Step 2: Install strobe light to adapter plate (already attached to conduit box/drop in Step 1).



California Proposition 65 Warning: These products may contain chemicals which are known to the State of California to cause cancer and birth defects or other reproductive harm. For more information, go to www.P65Warnings.ca.gov.

WARRANTY: This SECO-LARM product is warranted against defects in material and workmanship while used in normal service for one (1) year from the date of sale to the original customer.

NOTICE: The SECO-LARM policy is one of continual development and improvement. For that reason, SECO-LARM reserves the right to change specifications without notice. SECO-LARM is also not responsible for misprints. All trademarks are the property of SECO-LARM U.S.A., Inc. or their respective owners. Copyright © 2025 SECO-LARM U.S.A., Inc. All rights reserved.

SECO-LARM® U.S.A., Inc.

16842 Millikan Avenue, Irvine, CA 92606
Phone: (949) 261-2999 | (800) 662-0800

Website: www.seco-larm.com
Email: sales@seco-larm.com

 PICSN4
Order Part# 762-118-3%
ML_SL-1901-xAQ_251020.docx