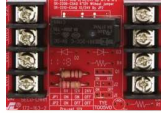


Relay Modules

Installation Manual



SR-2206-C5AQ



SR-2212-C5AQ



SR-1212-C7ALQ



SR-2112-C7AQ/10



Model	Heavy Duty	High Sensitivity	Supply Voltage	Trigger Voltage	Relay Rating	No./Type of Relays
SR-2206-C5AQ	X		6/12 VDC	6/12 VDC	5A	1 DPDT
SR-2212-C5AQ	X		12/24 VDC	12/24 VDC	5A	1 DPDT
SR-2112-C7AQ/10*	X		12/24 VDC	12/24 VDC	7A	1 SPDT
SR-1212-C7ALQ	X	X	12/24 VDC	3-24 VDC	7A	2 SPDT

*Breakaway 10-pack

ENFORCER relay modules are available for almost any application where relays are required and come in a wide range of variants to meet your needs.

- Relays are pre-mounted to easy-to-install modules
- Screw terminals allow easy installation without soldering or other time-consuming connections
- Wide-selection: Choose single or dual relays, low-current or heavy-duty operation, and high-sensitivity or normal-sensitivity

Parts List

1x Relay module*

1x Double-sided foam tape†

1x Manual

*Single-pack of 10 breakaway modules.

†20 squares

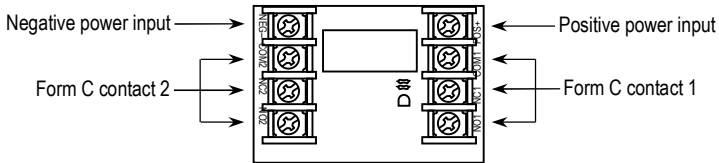
Specifications

Model	SR-2206-C5AQ	SR-2212-C5AQ	SR-2112-C7AQ/10	SR-1212-C7ALQ
Operating voltage	6/12 VDC	12/24 VDC		
Trigger voltage	6-12 VDC	12/24 VDC	3~24 VDC	
Voltage selection	Auto-sensing	Jumper		
Relay	Type	DPDT		SPDT
	Rating	5A@250VAC/30VDC		7A@250VAC/30VDC
	Number	1		2
Current draw	70m@6VDC	70mA	35mA@12VDC	60mA
	90mA@12VDC	@12/24 VDC	40mA@24VDC	@12/24 VDC
Operating humidity	Up to 85%, non-condensing			
Operating temperature	-40°~149° F (-40°~65° C)			
Dimensions	2 ³ / ₄ "x1 ⁷ / ₈ "x3 ³ / ₄ " (70x48x20 mm)		1 ⁹ / ₁₆ "x1 ³ / ₁₆ "x3 ³ / ₄ " (40x30x20 mm)‡	2 ³ / ₈ "x1 ⁹ / ₁₆ "x3 ³ / ₄ " (60x40x20mm)
Weight	2-oz (55g)		0.7-oz (20g)	1.3-oz (37g)

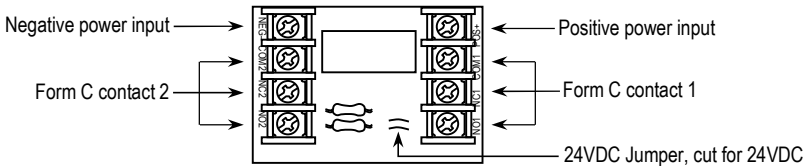
‡Each module

Overview

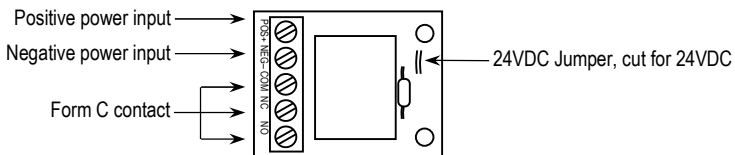
SR-2206-C5AQ



SR-2212-C5AQ

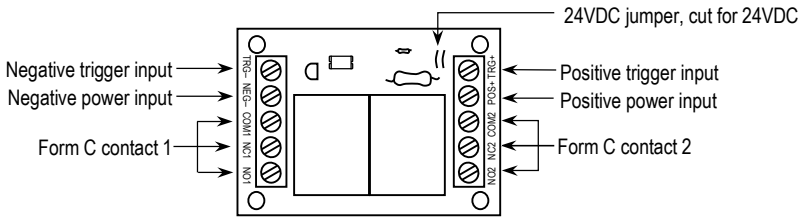


SR-2112-C7AQ/10



Overview (Continued)

SR-1212-C7ALQ



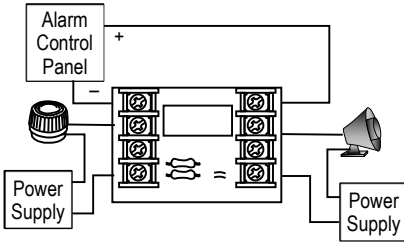
Sample Applications

NOTE: Double-sided tape included for easier installation.

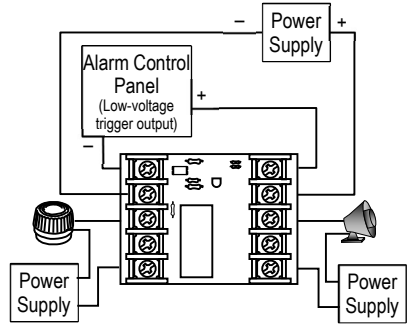
Two Dry Relay Outputs

Use this application to trigger a device when an alarm activates.

SR-2206-C5AQ, SR-2212-C5AQ,
and SR-2112-C7AQ/10



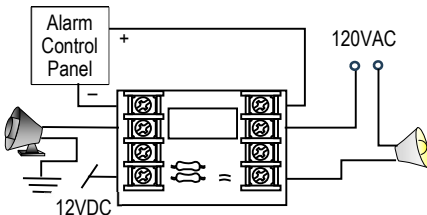
SR-1212-C7ALQ



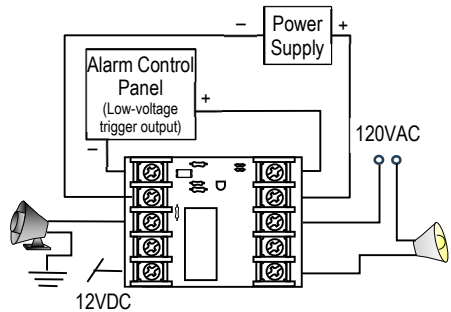
Dual Switch

Use this application to trigger a 12VDC device (such as a siren) and a 120VAC device, such as a floodlight.

SR-2206-C5AQ and SR-2212-C5AQ



SR-1212-C7ALQ

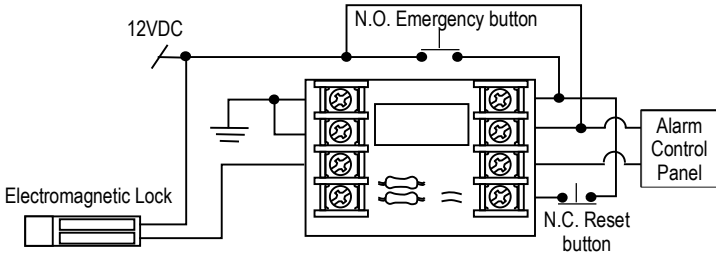


Sample Applications (Continued)

Latching

This will trigger an alarm or silent alarm while disabling the electromagnetic door locks to allow egress.

SR-2206-C5AQ and SR-2212-C5AQ



California Proposition 65 Warning: These products may contain chemicals which are known to the State of California to cause cancer and birth defects or other reproductive harm. For more information, go to www.P65Warnings.ca.gov.

WARRANTY: This SECO-LARM product is warranted against defects in material and workmanship while used in normal service for one (1) year from the date of sale to the original customer. SECO-LARM's obligation is limited to the repair or replacement of any defective part if the unit is returned, transportation prepaid, to SECO-LARM. This Warranty is void if damage is caused by or attributed to acts of God, physical or electrical misuse or abuse, neglect, repair or alteration, improper or abnormal usage, or faulty installation, or if for any other reason SECO-LARM determines that such equipment is not operating properly as a result of causes other than defects in material and workmanship. The sole obligation of SECO-LARM and the purchaser's exclusive remedy, shall be limited to the replacement or repair only, at SECO-LARM's option. In no event shall SECO-LARM be liable for any special, collateral, incidental, or consequential personal or property damage of any kind to the purchaser or anyone else.

NOTICE: The SECO-LARM policy is one of continual development and improvement. For that reason, SECO-LARM reserves the right to change specifications without notice. SECO-LARM is also not responsible for misprints. All trademarks are the property of SECO-LARM U.S.A., Inc. or their respective owners. Copyright © 2024 SECO-LARM U.S.A., Inc. All rights reserved.

SECO-LARM® U.S.A., Inc.

16842 Millikan Avenue, Irvine, CA 92606
Phone: (949) 261-2999 | (800) 662-0800

Website: www.seco-larm.com
Email: sales@seco-larm.com

 PITSW1
Order Part# 763-144-9%
MI_SR-xxxx-CxAQ_Z31215.docx