

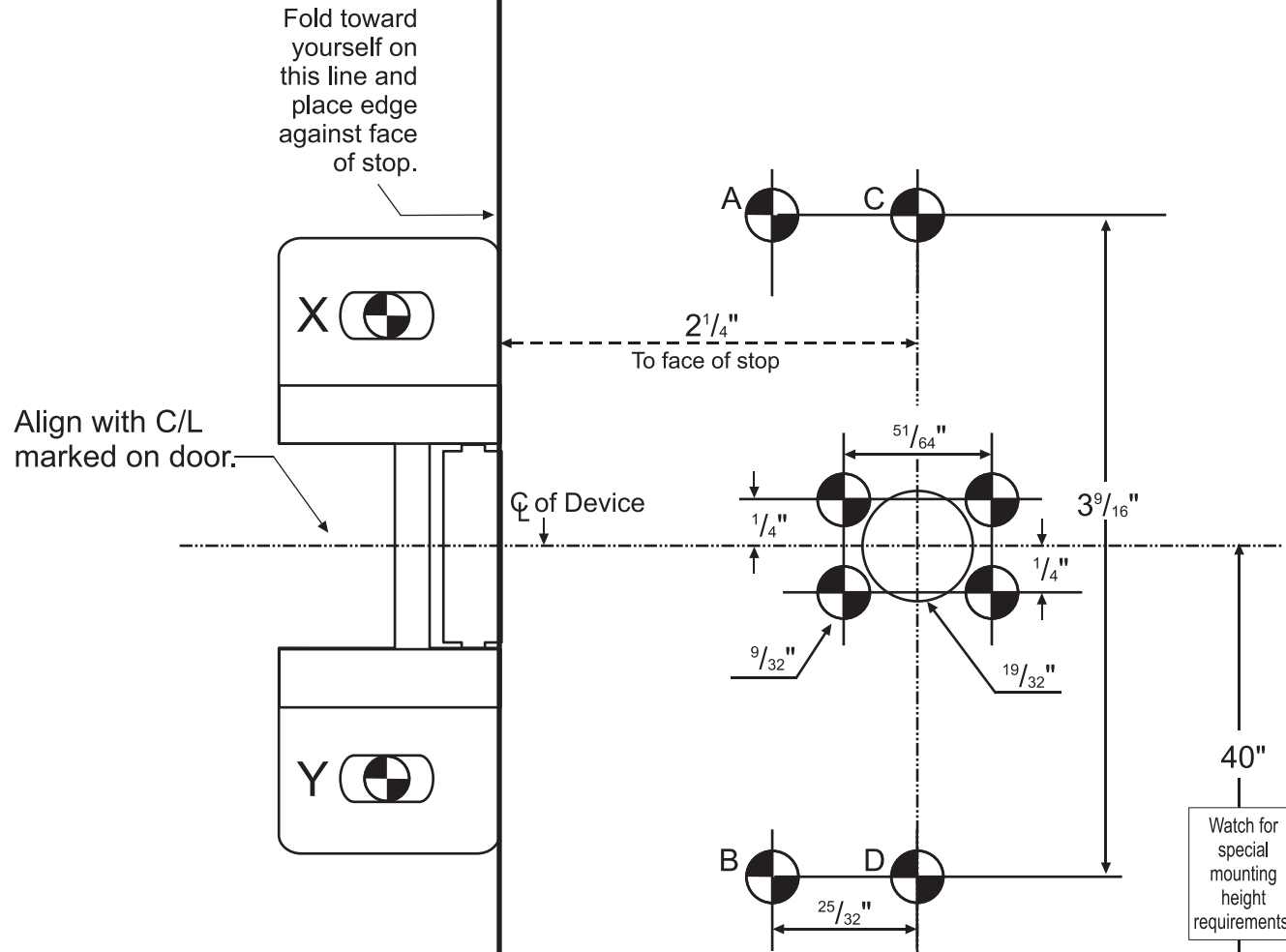
TEMPLATE

Rim Exit Device

SD-962xR-36A

MT_SD-962xR-36A_211130.ai

For Left-Hand Door
(For right-hand door, turn
this page upside down.)



Mounting holes for strike (X,Y)
#1/4" - 20 Tap.

Door - Inside Face

Mounting holes for device chassis (A,B,C,D)

For metal door application:

Use #1/4" - 20 Tap.

For sex bolt application:

5/16" Inside hole - 3/8" outside hole.

For Right-Hand Door
(For left-hand door, turn
this page upside down.)