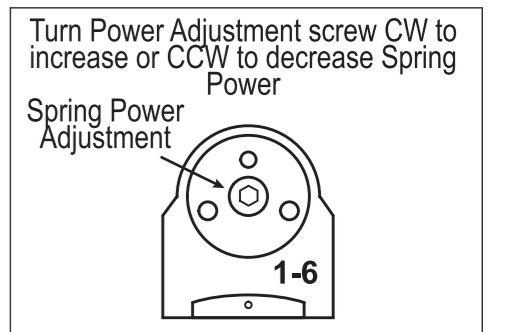
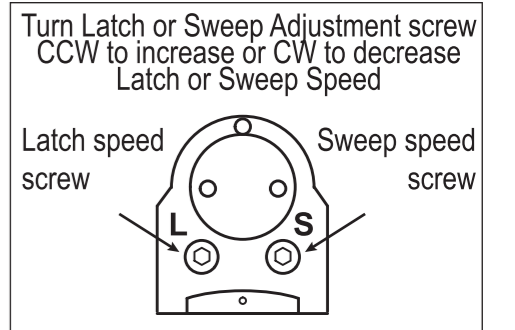
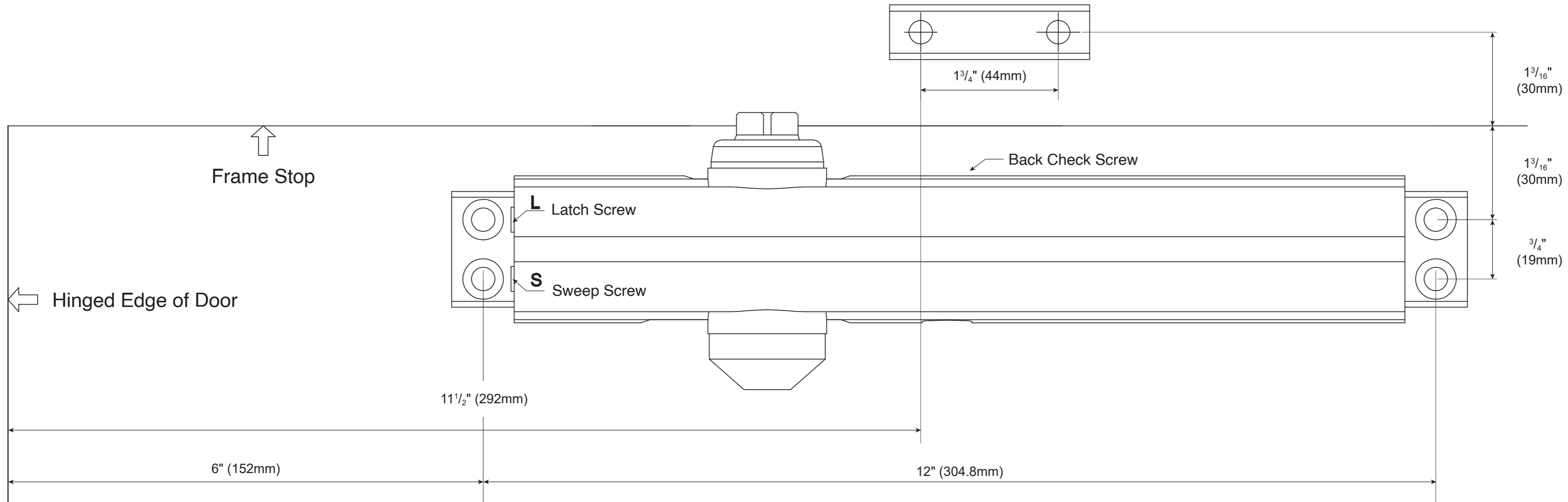


INSTALLATION TEMPLATE FOR ENFORCER HEAVY-DUTY SURFACE-TYPE DOOR CLOSER WITH BACK CHECK



Model: SD-C101-SBAQ/x

Color Key
"x" represents color.

Blank	Silver
D	Bronze
B	Black
L	Gold
W	White
R	Brown

For Right-Hand Door



© 2023 SECO-LARM U.S.A. Inc. All rights reserved. This material may not be reproduced or copied, in whole or in part, without the written permission of SECO-LARM.

CCW: Counterclockwise CW: Clockwise

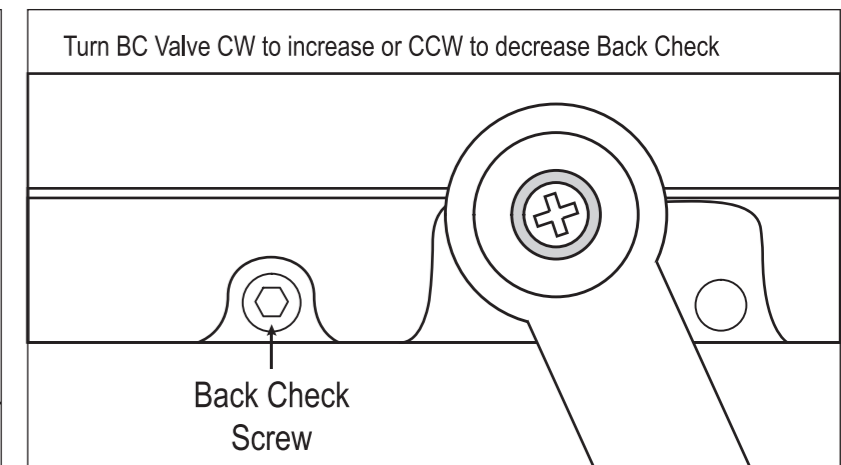
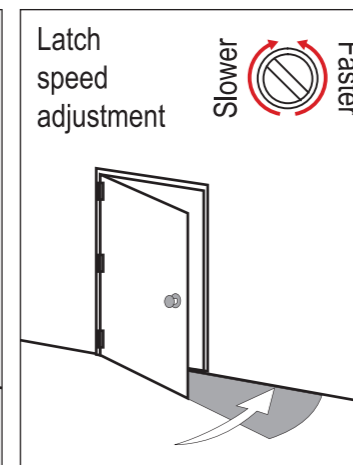
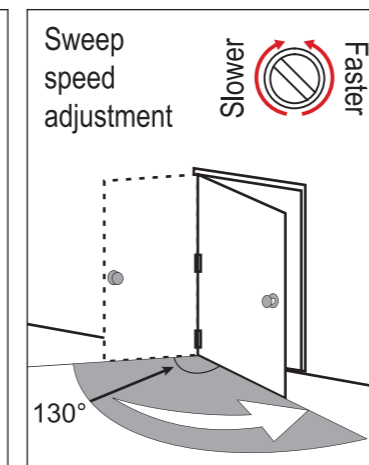
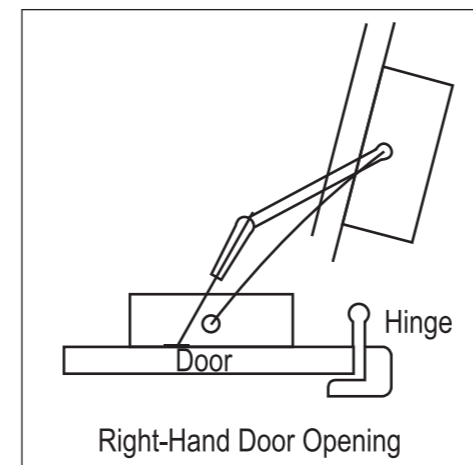
Installation Tips:

- To ease opening and closing of the door, you can "pre-load" the closer arm by using a wrench on the axle to move it by 45 degrees, so that the arm will not have to travel through the initial open sweep.
- Adjust the "Back Check" (BC) setting so that the door will open smoothly to the full extent of the swing required.
- Adjust the Sweep "S" speed to have the door swing slowly.
- Adjust the Latch "L" speed to have the door swing the last few inches with enough force to latch.
- Door closer comes preset as ANSI size "3". To change size, turn the spring power adjustment screw::

1: 5 turns CCW	4: 5 turns CW
2: 3 turns CCW	5: 10 turns CW
3: No turns	6: 15 turns CW

Parts List:

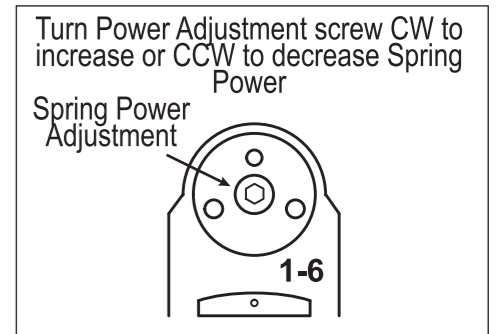
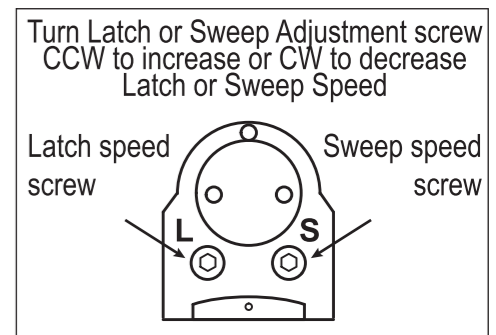
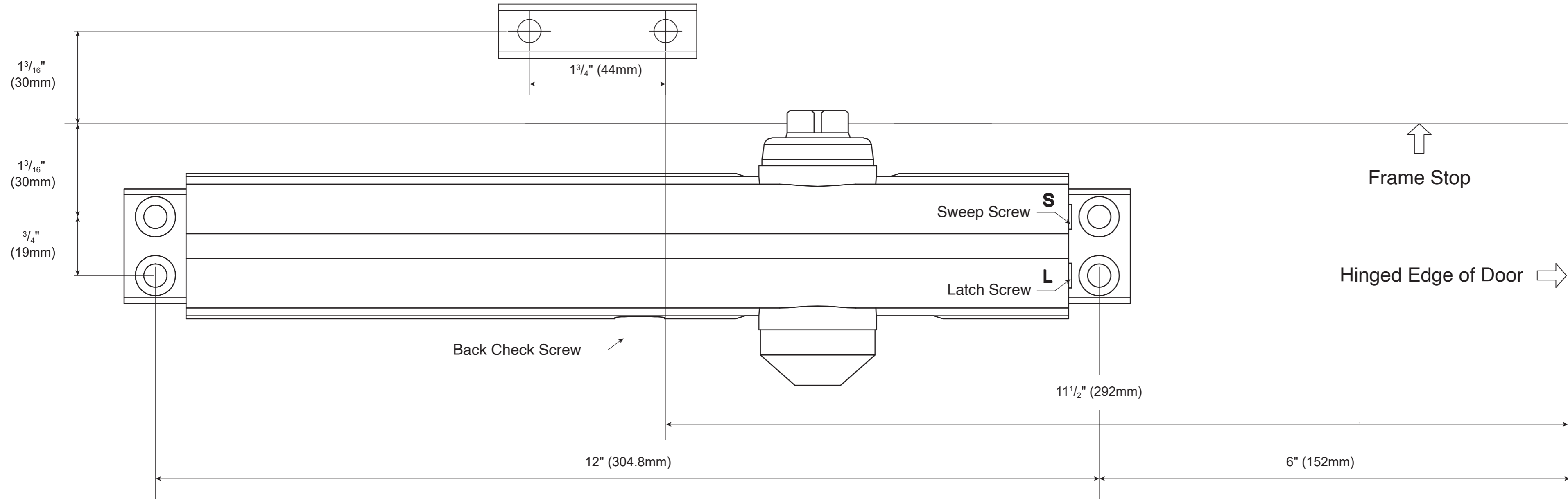
- 8x Self-tapping & self-drilling machine screw (ST6.3*38)
- 8x Half countersunk head self-tapping screw (ST6.3*30)
- 4x Half countersunk head screw (1/4-20*25)
- 4x Half countersunk head screw (1/4-20*16)
- 1x Pan head screw (M6*10)
- 1x Screw assembly (M6*10)
- 1x Spring (M6)
- 1x Washer (Φ18.5*Φ6*1.5)
- 1x Hex wrench (4mm)
- 2x Cross recessed countersunk head (M4*8)



WARRANTY This SECO-LARM product is warranted against defects in material and workmanship while used in normal service for a period of five (5) years from the date of sale to the original consumer customer.

MT_SD-C101-SBAQ_231030.ai

INSTALLATION TEMPLATE FOR ENFORCER HEAVY-DUTY SURFACE-TYPE DOOR CLOSER WITH BACK CHECK



Model: SD-C101-SBAQ/x

Color Key

"x" represents color.

- Blank** Silver
- D** Bronze
- B** Black
- L** Gold
- W** White
- R** Brown

For Left-Hand Door



© 2023 SECO-LARM U.S.A. Inc. All rights reserved. This material may not be reproduced or copied, in whole or in part, without the written permission of SECO-LARM.

CCW: Counterclockwise CW: Clockwise

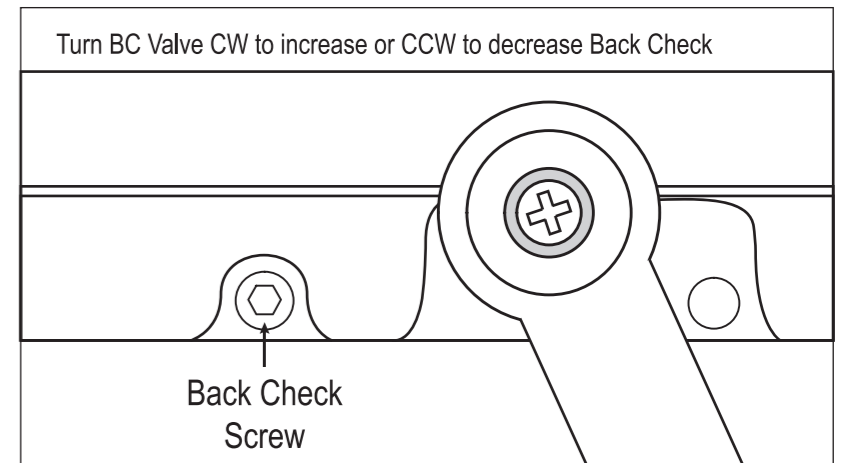
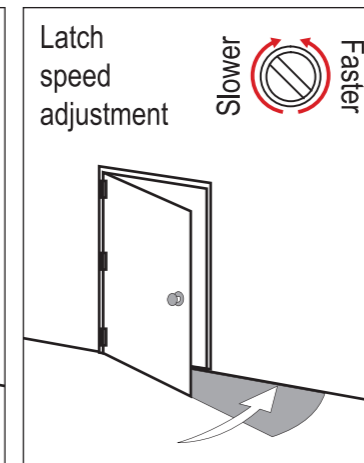
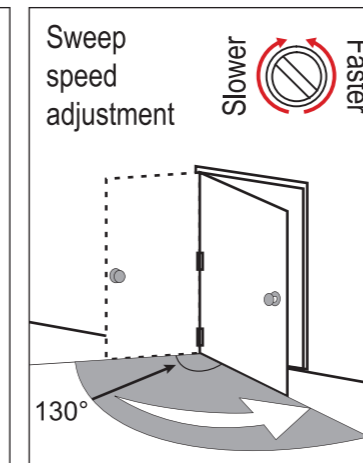
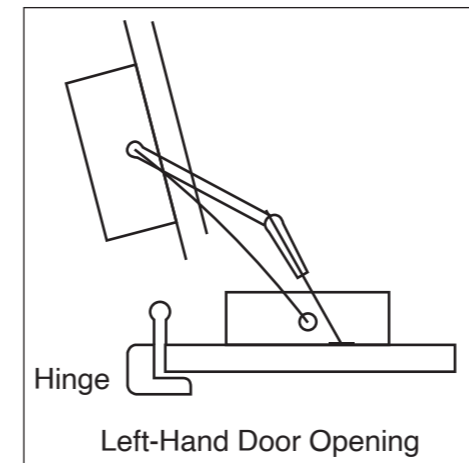
Installation Tips:

- To ease opening and closing of the door, you can "pre-load" the closer arm by using a wrench on the axle to move it by 45 degrees, so that the arm will not have to travel through the initial open sweep.
- Adjust the "Back Check" (BC) setting so that the door will open smoothly to the full extent of the swing required.
- Adjust the Sweep "S" speed to have the door swing slowly.
- Adjust the Latch "L" speed to have the door swing the last few inches with enough force to latch.
- Door closer comes preset as ANSI size "3". To change size, turn the spring power adjustment screw:

1: 5 turns CCW	4: 5 turns CW
2: 3 turns CCW	5: 10 turns CW
3: No turns	6: 15 turns CW

Parts List:

- 8x Self-tapping & self-drilling machine screw (ST6.3*38)
- 8x Half countersunk head self-tapping screw (ST6.3*30)
- 4x Half countersunk head screw (1/4-20*25)
- 4x Half countersunk head screw (1/4-20*16)
- 1x Pan head screw (M6*10)
- 1x Screw assembly (M6*10)
- 1x Spring (M6)
- 1x Washer (Φ18.5*Φ6*1.5)
- 1x Hex wrench (4mm)
- 2x Cross recessed countersunk head (M4*8)



WARRANTY This SECO-LARM product is warranted against defects in material and workmanship while used in normal service for a period of five (5) years from the date of sale to the original consumer customer.