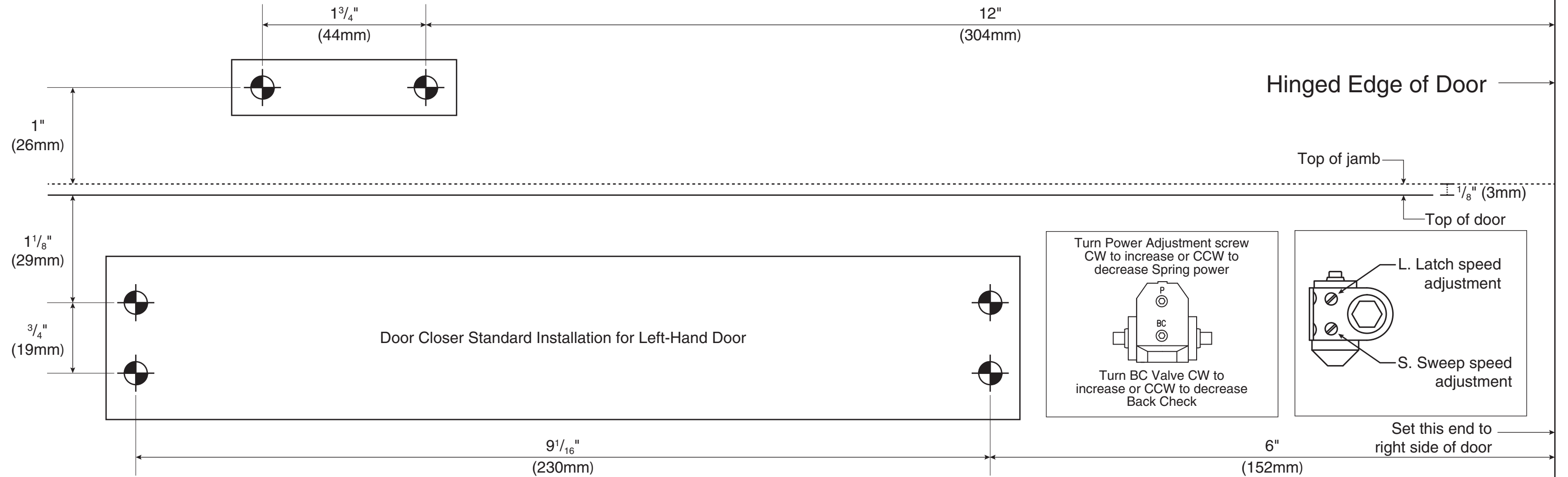




INSTALLATION TEMPLATE FOR ENFORCER DOOR CLOSER WITH BACK CHECK



Model: SD-C101-SGQ/x

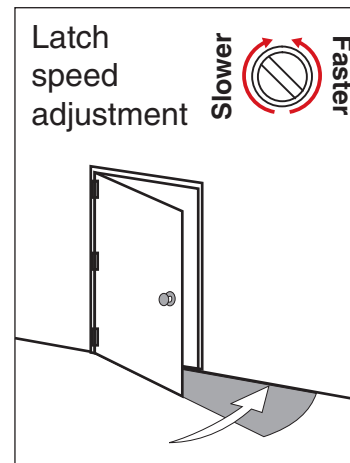
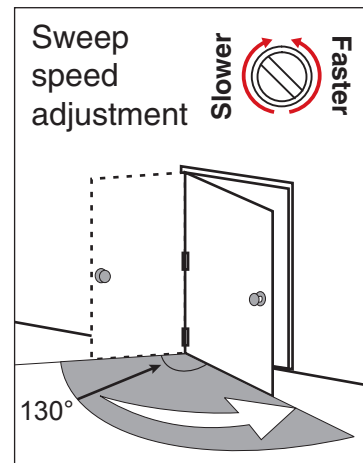
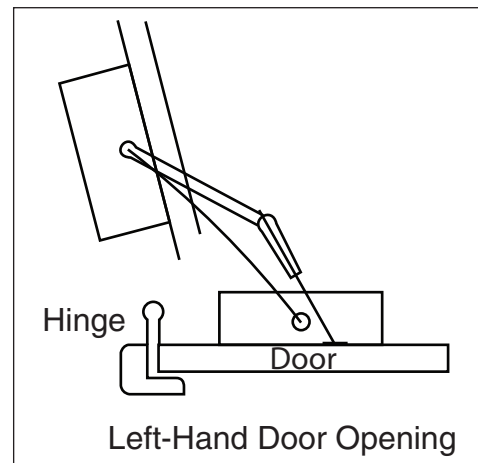
Color Key

"x" represents color.

Blank	Silver
D	Bronze
B	Black
L	Gold
W	White
R	Brown

For Left-Hand Door

SECO-LARM®
www.seco-larm.com



Installation Tips:

- To ease opening and closing of the door, you can "pre-load" the closer arm by using a wrench on the axle to move it by 45 degrees, so that the arm will not have to travel through the initial open sweep.
- Adjust the "Back Check" (BC) setting so that the door will open smoothly to the full extent of the swing required.
- Adjust the "Sweep" speed to have the door swing slowly.
- Adjust the "Latch" speed to have the door swing the last few inches with enough force to latch.
- Door closer comes preset as ANSI size "4". To change size, turn the spring power adjustment screw:

1: 13 turns CCW	4: 0 turns
2: 9 turns CCW	5: 5 turns CW
3: 5 turns CCW	6: 10 turns CW

CCW: Counterclockwise
CW: Clockwise

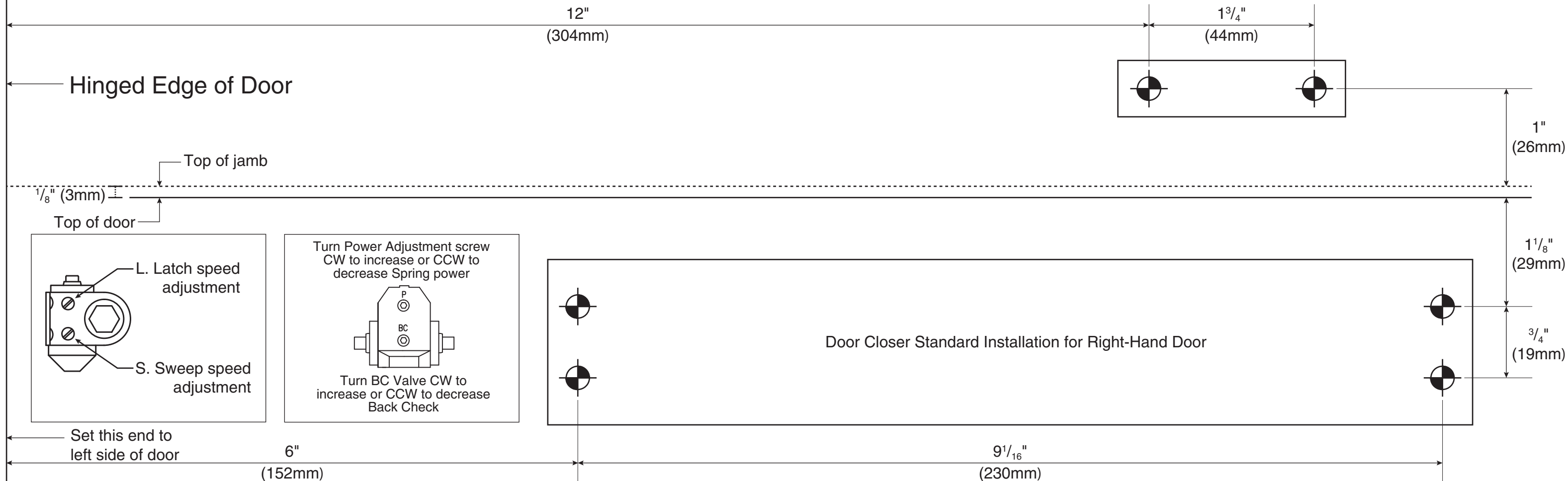
Parts List:

- 8x Philips head wood screw (ST6.3*38)
- 8x Philips head wood screw (ST6.3*30)
- 4x Philips head machine screw (1/4-20*25)
- 4x Philips head machine screw (1/4-20*16)
- 1x Arm axle screw (M6*10)
- 1x Philips pan head screw (M6*10)
- 1x Split washer
- 1x Washer
- 1x Hex wrench (4mm)
- 1x Axle cover cap
- 1x Parallel arm bracket
- 1x Closer body
- 1x Closer arm

WARRANTY This SECO-LARM product is warranted against defects in material and workmanship while used in normal service for a period of five (5) years from the date of sale to the original consumer customer.

© 2023 SECO-LARM U.S.A. Inc. All rights reserved. This material may not be reproduced or copied, in whole or in part, without the written permission of SECO-LARM.

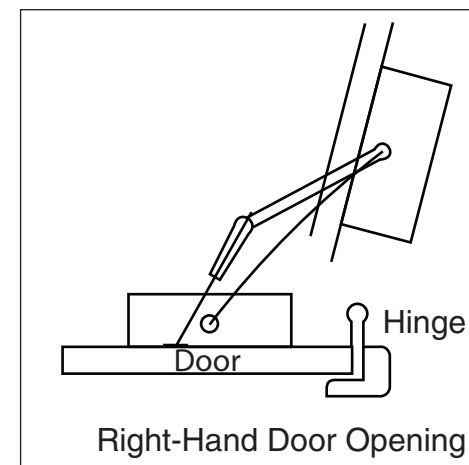
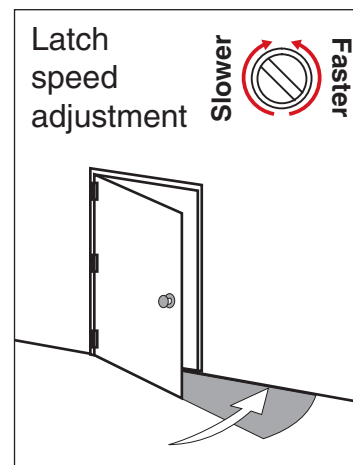
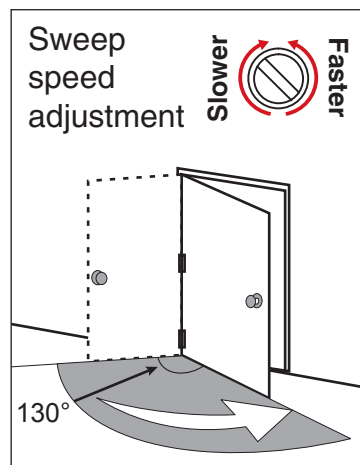
INSTALLATION TEMPLATE FOR ENFORCER DOOR CLOSER WITH BACK CHECK



- Parts List:**
- 8x Philips head wood screw (ST6.3*38)
 - 8x Philips head wood screw (ST6.3*30)
 - 4x Philips head machine screw (1/4-20*25)
 - 4x Philips head machine screw (1/4-20*16)
 - 1x Arm axle screw (M6*10)
 - 1x Philips pan head screw (M6*10)
 - 1x Split washer
 - 1x Washer
 - 1x Hex wrench (4mm)
 - 1x Axle cover cap
 - 1x Parallel arm bracket
 - 1x Closer body
 - 1x Closer arm

- Installation Tips:**
1. To ease opening and closing of the door, you can "pre-load" the closer arm by using a wrench on the axle to move it by 45 degrees, so that the arm will not have to travel through the initial open sweep.
 2. Adjust the "Back Check" (BC) setting so that the door will open smoothly to the full extent of the swing required.
 3. Adjust the "Sweep" speed to have the door swing slowly.
 4. Adjust the "Latch" speed to have the door swing the last few inches with enough force to latch.
 5. Door closer comes preset as ANSI size "4". To change size, turn the spring power adjustment screw:

1: 13 turns CCW	4: 0 turns
2: 9 turns CCW	5: 5 turns CW
3: 5 turns CCW	6: 10 turns CW



Model: SD-C101-SGQ/x

Color Key

"x" represents color.

Blank	Silver
D	Bronze
B	Black
L	Gold
W	White
R	Brown

For Right-Hand Door

SECO-LARM[®]
www.seco-larm.com