

Access Control Power Supply

EAP-3D1Q 3 Amps, 1 Output

EAP-3D4 3 Amps, 4 Outputs

EAP-3D5Q 3 Amps, 5 Outputs

Features

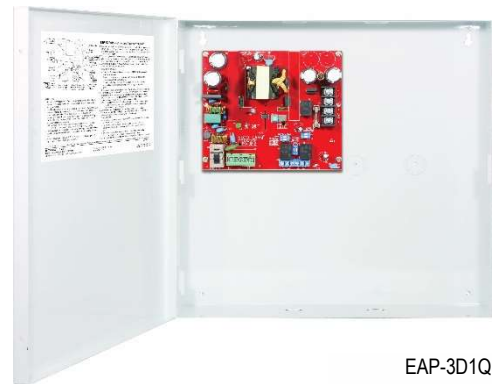
- AC Power failure supervision relay
- Battery failure / low battery supervision relay
- DC Power failure supervision relay (EAP-3D5Q only)
- Auxiliary output relays rated 3A@24VDC
- Adjustable voltage range to compensate for voltage drop
- Built-in backup battery charger (battery not included)
- Selectable 0Ω/2.2kΩ End-of-Line (EOL) resistor for AC failure and battery failure supervision relays via DIP switch
- Selectable delay timer (5 seconds, 5 minutes, 5 hours) for AC failure supervision relay via DIP switch
- LED Status indicator for AC input, DC output and channel outputs

Power

- Operating Input voltage: 110~240 VAC
- Field-selectable 12 or 24 VDC output
- Total continuous output current: 3A@12VDC, 1.5A@24VDC
- Individually fused power outputs rated at 1.1A (PTC) or 3A (blade), fail safe or fail secure modes (multiple output models only)
- AC Input fuse rated at 3.15A@250VAC

Enclosure

- Heavy-duty steel case with ventilation holes
- Enclosure large enough to fit two (2) 12V/ 7Ah batteries
- Removable steel cover for easy access to power connections
- 6ft Power cord and battery leads included
- Dimensions: 12¹/₈"x12¹/₄"x3⁹/₁₆" (308x311x90 mm)



EAP-3D1Q



EAP-3D4



EAP-3D5Q

SECO-LARM® U.S.A., Inc.

16842 Millikan Avenue, Irvine, CA 92606

Phone: (949) 261-2999 | (800) 662-0800 Fax: (949) 261-7326

Website: www.seco-larm.com Email: sales@seco-larm.com



Copyright © 2023 SECO-LARM U.S.A., Inc. All rights reserved.
All trademarks are the property of SECO-LARM U.S.A., Inc. or their respective owners.
The SECO-LARM policy is one of continual development. For that reason, SECO-LARM reserves the right to change prices and specifications without notice. SECO-LARM is not responsible for misprints.

SECO-LARM® ENFORCER® CRIMEBUSTER® CBA® SLI®

PI_EAP-3Dxx_231017.docx

Access Power Controller Board

PD-4BTQ 4 Outputs

Features

- For 12/24 VAC/VDC operation
- Input current draw: 10A@24VAC
- Each output individually fused (blade,3.0A)
- Protected by 10A main fuse
- Each output can operate in both fail-safe and fail-secure modes
- Each output individually controlled
- Individual output relays (10A@24VDC)
- Individual status LEDs for each output and for emergency input
- Auxiliary supervision relay (1A@28VDC)
- Equipped with dry and wet trigger inputs
- Includes auxiliary supervision relay output to enable emergency egress, alarm monitoring, or to trigger other devices
- Includes auxiliary interface disconnect, individually selectable for each output
- Operating humidity: up to 95%, non-condensing
- Operating temperature: -40°~167° F (-40°~75° C)
- Compatible with ENFORCER Access Control Power Supplies
- Dimensions: 5³/₈"x3⁵/₈"x1⁵/₁₆" (136x92x23 mm)
- Weight: 4.8-oz (137g)

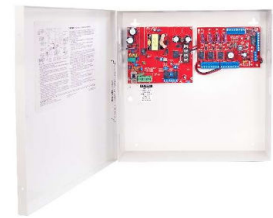


PD-4BTQ

Related Product

EAP-3D4

3 Amps, 4 Outputs

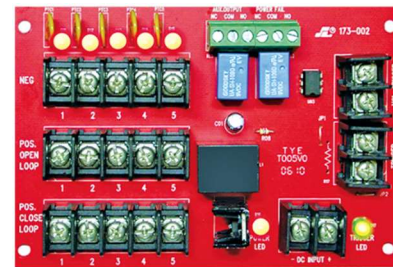


Access Power Distribution Board

PD-5PAQ 5 Outputs, 1.1A@12/24 VDC

Features

- Five (5) individually PTC-fused (1.1A) outputs
- For 12VDC or 24VDC operation
- Input current limit: 6A@12/24 VDC
- Output current limit: 1.1A@12/24 VDC per output
- Each output will operate in both fail-safe and fail secure modes
- Dry and wet trigger inputs
- Power failure supervision relay (3A@24VDC)
- Auxiliary supervision relay (3A@24VDC)
- Individual LED status indicator for each output, power input, and trigger
- Operating humidity: up to 95%, non-condensing
- Operating temperature: -40°~167° F (-40°~75° C)
- Dimensions: 5⁵/₁₆"x3⁹/₁₆"x1¹/₁₆" (90x135x27 mm)
- Weight: 8.8-oz (250g)



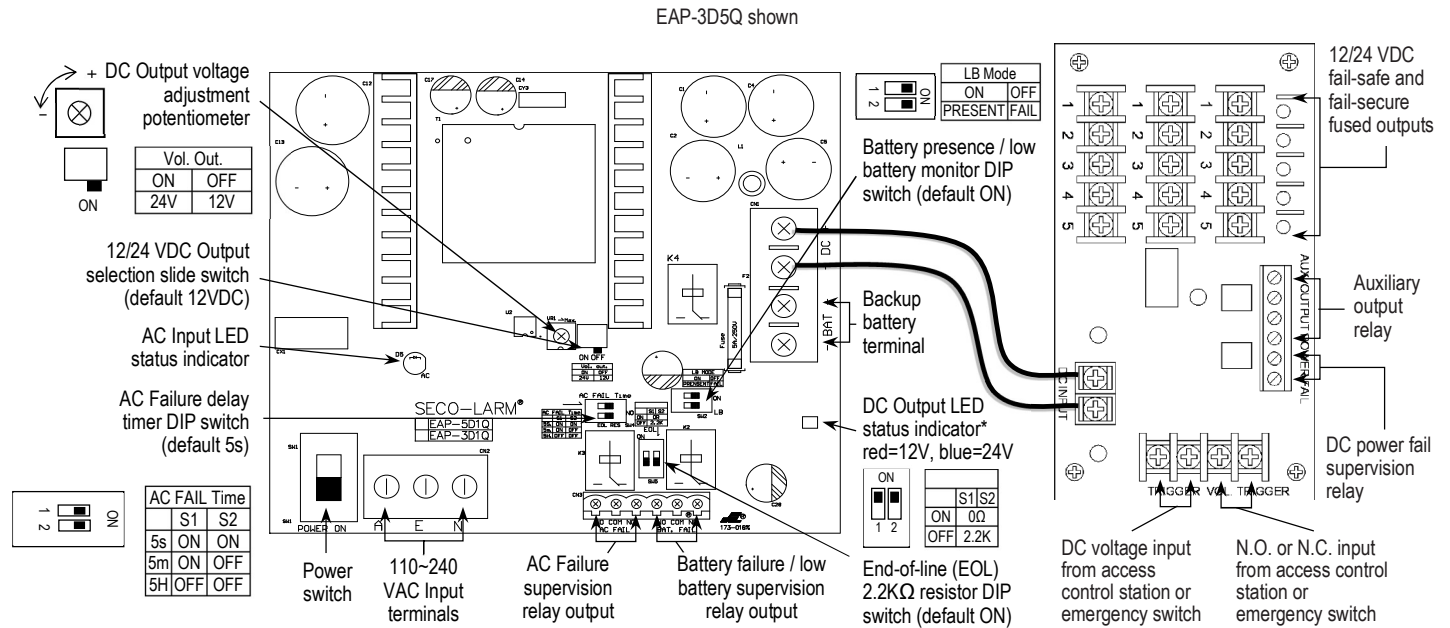
Related Product

EAP-3D5Q

3 Amps, 5 Outputs



Connections



**Built-in output overload protection* – If an overload occurs, the motherboard's output voltage output will drop. The voltage drop will depend on the extent of the overload. The greater the overload the greater the voltage drop. If the overload is extensive, the voltage output will become intermittent, and the red LED will start flashing. When the overload is removed, the motherboard will automatically restart normal output. If an output short-circuit occurs, the motherboard will automatically shut the output down and the red LED will turn off. When the short-circuit is removed, the motherboard will automatically come back online.

Specifications

Model	EAP-3D1Q	EAP-3D4	EAP-3D5Q	PD-4BTQ	PD-5PAQ
Input voltage	110-240 VAC			12/24 VAC/VDC	12/24 VDC
Number of outputs	1	4	5	4	5
Output fuse type / rating	PTC 1.1A	Blade 3.0A	PTC 1.1A	Blade 3.0A	PTC 1.1A
Auxiliary supervision output	SPDT 3A@24VDC			DPDT (1A@28VDC)	SPDT 3A@24VDC
Output voltage	12/24 VDC (selectable)			N/A	
Output voltage range (adjustable)	12VDC	12-13			N/A
	24VDC	23-25			N/A
LEDs	Status	DC: Red=12VDC, blue=24VDC for each output, AC: Green, input		4 (red, on when relay is energized)	5 (red, on when relay is energized)
	Auxiliary supervision	N/A		1 (green, on when auxiliary input is triggered, alarm condition)	1 green
Current rating	3A@12VDC, 1.5A@24VDC			N/A	
AC input fuse rating	3.15A			N/A	
AC power cord	6ft (1.8m)			N/A	
Enclosure	Yes			No	
Operating humidity	Up to 85%, non-condensing			Up to 95%, non-condensing	
Operating temperature	-4°~149° F (-20°~65° C)			-40°~167° F (-40°~75° C)	
AC-Failure / battery-failure supervision (EOL resistor)	0Ω or 2.2KΩ, DIP-switch selectable			N/A	
Dimensions	12 1/8" x 12 1/4" x 3 9/16" (308x311x90 mm)			5 3/8" x 3 5/8" x 1 5/16" (136x92x23 mm)	3 9/16" x 5 5/16" x 1 1/16" (90x135x27 mm)