

Access Control Power Supply

- EAP-5D1Q** 5 Amps, 1 Output
- EAP-5D5Q** 5 Amps, 5 Outputs
- EAP-5D4** 5 Amps, 4 Outputs
- EAP-5D8** 5 Amps, 8 Outputs

Features

- AC Power failure supervision relay
- Battery failure / low battery supervision relay
- DC Power failure supervision relay (EAP-5D5Q only)
- Auxiliary output relays rated 3A@24VDC
- Adjustable voltage range to compensate for voltage drop
- Built-in backup battery charger (battery not included)
- Selectable 0Ω/2.2kΩ End-of-Line (EOL) resistor for AC failure and battery failure supervision relays via DIP switch
- Selectable delay timer (5 seconds, 5 minutes, 5 hours) for AC failure supervision relay via DIP switch
- LED Status indicator for AC input, DC output and channel outputs

Power

- Operating Input voltage: 110~240 VAC
- Field-selectable 12 or 24 VDC output
- Total continuous output current: 5A@12VDC, 2.5A@24VDC
- Individually fused power outputs rated at 1.1A (PTC) or 3A (blade), fail safe or fail secure modes (multiple output models only)
- AC Input fuse rated at 3.15A@250VAC

Enclosure

- Heavy-duty steel case with ventilation holes
- Enclosure large enough to fit two (2) 12V/12Ah batteries
- Removable steel cover for easy access to power connections
- 6ft Power cord and battery leads included
- Dimensions: 14¹³/₁₆"x14⁵/₁₆"x4¹/₈" (377x363x105 mm)



EAP-5D1Q



EAP-5D5Q



EAP-5D4



EAP-5D8

Access Power Controller Boards

PD-4BTQ 4 Outputs

PD-8BTQ 8 Outputs

Features

- For 12/24 VAC/VDC operation
- Input current draw: 10A@24VAC
- Each output individually fused (blade,3.0A)
- Protected by 10A main fuse
- Each output can operate in both fail-safe and fail-secure modes
- Each output individually controlled
- Individual output relays (10A@24VDC)
- Individual status LEDs for each output and for emergency input
- Auxiliary supervision relay (1A@28VDC)
- Equipped with dry and wet trigger inputs
- Includes auxiliary supervision relay output to enable emergency egress, alarm monitoring, or to trigger other devices
- Includes auxiliary interface disconnect, individually selectable for each output
- Operating humidity: up to 95%, non-condensing
- Operating temperature: -40°~167° F (-40°~75° C)
- Compatible with ENFORCER Access Control Power Supplies

PD-4BTQ

- 4 Outputs
- Dimensions: 5³/₈"x3⁵/₈"x1⁵/₁₆" (136x92x23 mm)
- Weight: 4.8-oz (137g)

PD-8BTQ

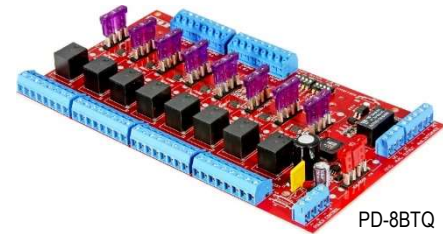
- 8 Outputs
- Dimensions: 8"x5¹/₁₆"x1⁵/₁₆" (204x129x23 mm)
- Weight: 8.9-oz (252g)



Related Product

EAP-5D4

5 Amps, 4 Outputs



Related Product

EAP-5D8

5 Amps, 8 Outputs

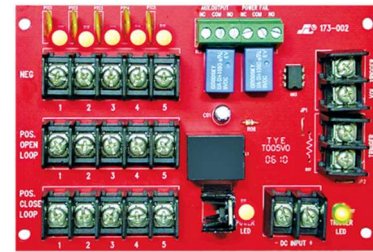


Access Power Distribution Board

PD-5PAQ 5 Outputs, 1.1A@12/24 VDC

Features

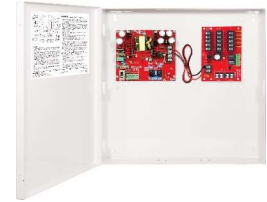
- Five (5) individually PTC-fused (1.1A) outputs
- For 12VDC or 24VDC operation
- Input current limit: 6A@12/24 VDC
- Output current limit: 1.1A@12/24 VDC per output
- Each output will operate in both fail-safe and fail secure modes
- Dry and wet trigger inputs
- Power failure supervision relay (3A@24VDC)
- Auxiliary supervision relay (3A@24VDC)
- Individual LED status indicator for each output, power input, and trigger
- Operating humidity: up to 95%, non-condensing
- Operating temperature: -40°~167° F (-40°~75° C)
- Dimensions: 5⁵/₁₆"x3⁹/₁₆"x1¹/₁₆" (90x135x27 mm)
- Weight: 8.8-oz (250g)



Related Product

EAP-5D5Q

5 Amps, 5 Outputs



Access Control Power Supply Module

EAP-5D1MQ 5 Amps, 1 Output

Features

- Current rating: 5A@12VDC, 2.5A@24VDC
- Input: 110~240 VAC, over-current fuse-protected at 3.15A
- Output: 12/24 VDC (field selectable)
- Adjustable output voltage (12~13 VDC / 23~25 VDC) to compensate for voltage drop
- Filtered and electronically regulated output
- AC Input and DC output LED status indicators
 - AC input – green
 - DC output – red=12VDC, blue=24VDC
- AC power failure supervision relay 3A@24VDC dry relay output
- Selectable delay timer (5sec, 5min, 5h) for AC failure supervision relay via DIP switch
- Battery failure / low battery supervision relay – 3A@24VDC dry relay output
- Built-in back-up battery charger (batteries not included)
- Automatically switch to backup battery if AC fails
- Selectable 0Ω/2.2kΩ End-of-Line (EOL) resistor for AC failure and battery failure supervision relays
- Automatic shutdown for short-circuit and overload protection
- Operating humidity: up to 85% non-condensing
- Operating temperature: -4°~149° F (-20°~65° C)
- Dimensions: 5¹/₂"x4³/₄"x1⁹/₁₆" (140x120x39 mm)
- Weight: 11.3-oz (320g)



EAP-5D1MQ

Related Product

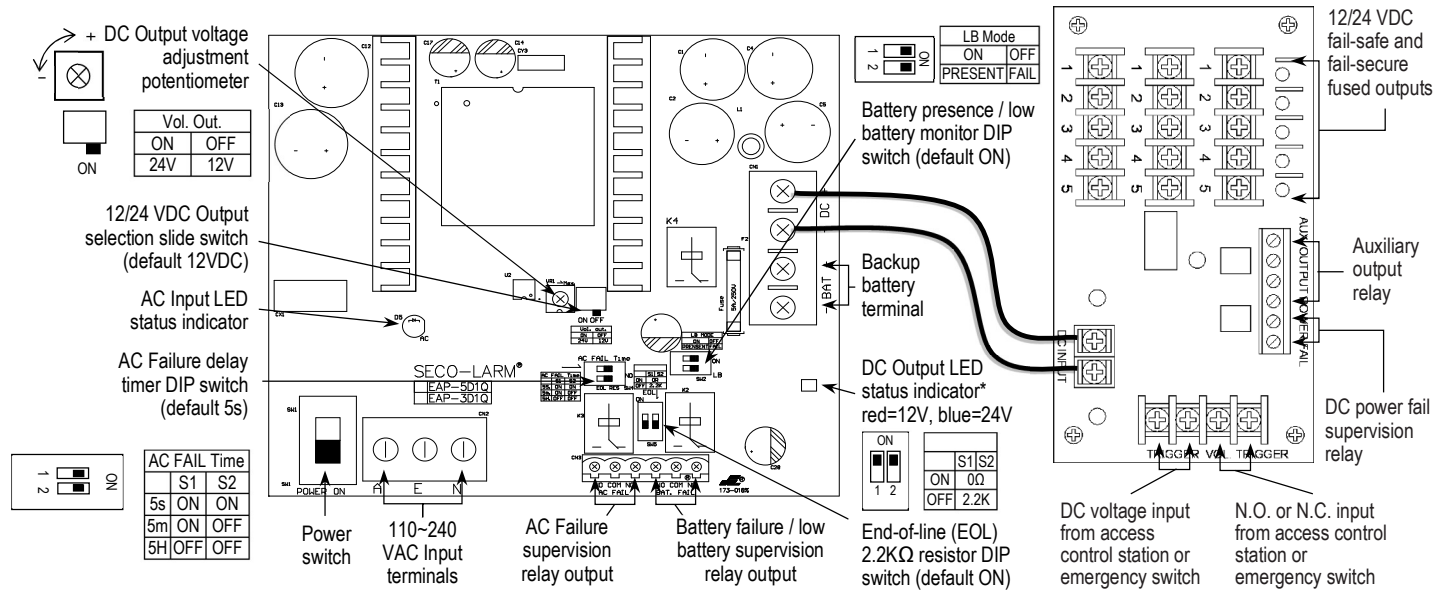
EAP-5D1Q

5 Amps, 1 Output



Connections

EAP-5D5Q shown



**Built-in output overload protection* – If an overload occurs, the motherboard’s output voltage output will drop. The voltage drop will depend on the extent of the overload. The greater the overload the greater the voltage drop. If the overload is extensive, the voltage output will become intermittent, and the red LED will start flashing. When the overload is removed, the mainboard will automatically restart normal output. If an output short-circuit occurs, the motherboard will automatically shut the output down and the red LED will turn off. When the short-circuit is removed, the motherboard will automatically come back online.

Specifications

Model	EAP-5D1MQ	EAP-5D1Q	EAP-5D4	EAP-5D5Q	EAP-5D8	PD-4BTQ	PD-8BTQ	PD-5PAQ
Input voltage	110~240 VAC					12/24 VAC/VDC		12/24 VDC
Number of outputs	1		4	5	8	4	8	5
Output fuse type / rating	Automatic protection circuit		Blade 3.0A	PTC 1.1A	Blade 3.0A	Blade 3.0A		PTC 1.1A
Auxiliary supervision output	SPDT 3A@24VDC					DPDT (1A@28VDC)		SPDT 3A@24VDC
Output voltage	12/24 VDC (selectable)					N/A		
Output voltage range (adjustable)	12VDC					N/A		
	24VDC					N/A		
LEDs	Status					4 (red, on when relay is energized)	8 (red, on when relay is energized)	5 (red, on when relay is energized)
	Auxiliary supervision					1 (green, on when auxiliary input is triggered, alarm condition)		1 green
Current rating	5A@12VDC, 2.5A@24VDC					N/A		
AC input fuse rating	3.15A					N/A		
AC power cord	No	6ft (1.8m)				N/A		
Enclosure	No	Yes				No		
Operating humidity	Up to 85%, non-condensing					Up to 95%, non-condensing		
Operating temperature	-4°~149° F (-20°~65° C)					-40°~167° F (-40°~75° C)		
AC-Failure / battery-failure supervision (EOL resistor)	0Ω or 2.2kΩ, DIP-switch selectable					N/A	N/A	N/A
Dimensions	5 1/2" x 4 3/4" x 1 9/16" (140x120x39 mm)	14 13/16" x 14 5/16" x 4 1/8" (377x363x105 mm)			5 3/8" x 3 5/8" x 1 5/16" (136x92x23 mm)	8" x 5 1/16" x 1 5/16" (204x129x23 mm)	3 9/16" x 5 5/16" x 1 1/16" (90x135x27 mm)	