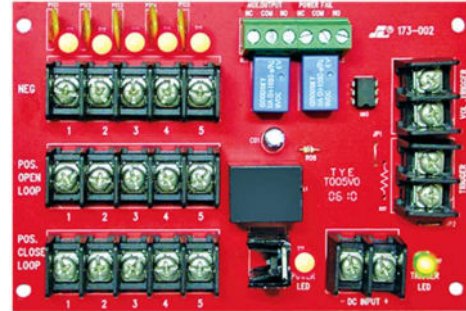


## Access Control Power Distribution Board

**PD-5PAQ** 5 Outputs, 1.1A@12/24 VDC

The PD-5PAQ 5-Output Power Distribution Board centralizes the power sources for access control electronic locking devices, such as electromagnetic locks, shear locks, electric door strikes, deadbolt locks, and so on. It provides a separate fuse for each output so that problems with one device may be isolated from the other devices.



### Features

- Five (5) individually PTC-fused (1.1A) outputs
- For 12VDC or 24VDC operation
- Input current limit: 6A@12/24 VDC
- Each output will operate in both fail-safe and fail-secure modes
- Dry and wet trigger inputs
- Power failure supervision relay (3A@24VDC)
- Auxiliary supervision relay (3A@24VDC)
- Individual LED status indicator for each output, power input, and trigger

### Specifications

|                              |   |                                 |
|------------------------------|---|---------------------------------|
| Type                         | Power distribution board  |                                 |
| Operating voltage            | 12/24 VDC   |                                 |
| Output fuse                  | PTC 1.1A  |                                 |
| Number of outputs            | 5   |                                 |
| Auxiliary supervision output | SPDT 3A@24VDC   |                                 |
| Status LEDs                  | Power   | 1 Red                           |
|                              | Triggered   | 1 Green                         |
|                              | Output failure  | 5 (Red, channel short/overload) |
| Operating humidity           | 0~95%, non-condensing   |                                 |
| Operating temperature        | -40°~167° F (-40°~75° C)  |                                 |
| Dimensions                   | 3 <sup>9</sup> / <sub>16</sub> "x5 <sup>5</sup> / <sub>16</sub> "x1 <sup>1</sup> / <sub>16</sub> " (90x135x27 mm) |                                 |
| Weight                       | 8.8-oz (250g)   |                                 |

### Related Products

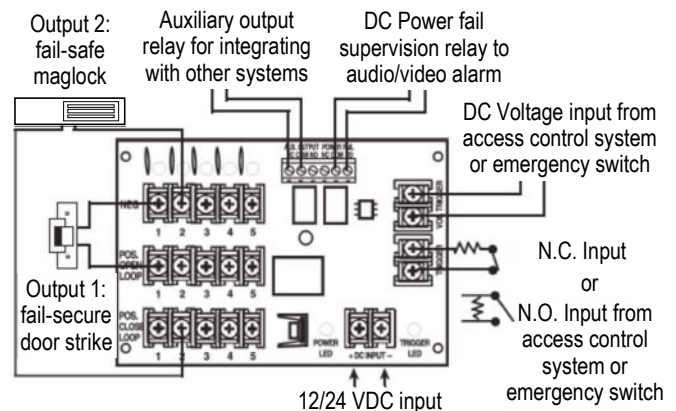
**EAP-3D5Q**  
3 Amps, 5 Outputs



**EAP-5D5Q**  
5 Amps, 5 Outputs



### Sample Installation



**SECO-LARM® U.S.A., Inc.**

16842 Millikan Avenue, Irvine, CA 92606

Phone: (949) 261-2999 | (800) 662-0800 Fax: (949) 261-7326

Website: www.seco-larm.com Email: sales@seco-larm.com



Copyright © 2023 SECO-LARM U.S.A., Inc. All rights reserved. All trademarks are the property of SECO-LARM U.S.A., Inc. or their respective owners. The SECO-LARM policy is one of continual development. For that reason, SECO-LARM reserves the right to change prices and specifications without notice. SECO-LARM is not responsible for misprints.

**SECO-LARM® ENFORCER® CRIMEBUSTER® CBA® SLI®**

PL\_PD-5PAQ\_231025.docx