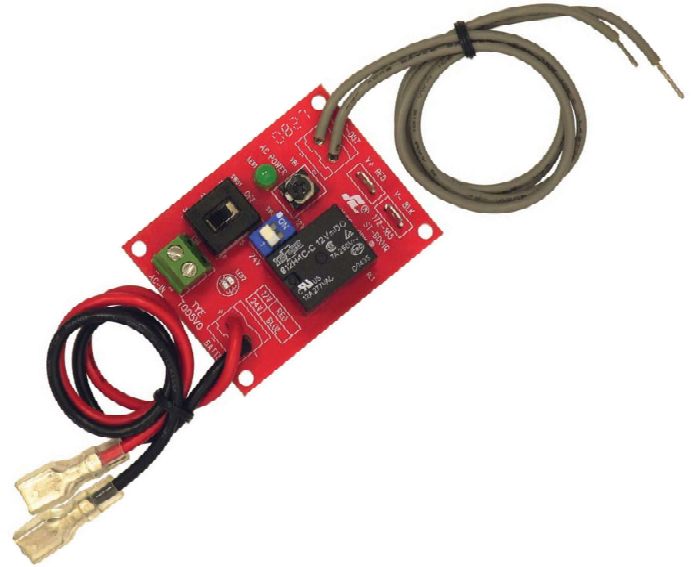


Low-Voltage Battery Cut-Off

ST-BD01Q

The ENFORCER Low-Voltage Battery Cut-Off prevents the deep discharge of a backup battery. It ties directly into most 12 or 24 VDC power supplies or alarm panels for easy plug-and-play installation. A Master On/Off switch easily connects or disconnects the battery and AC power supply from the control panel.



Features

- Selectable input 12/24 VDC
- Adjustable voltage cut-off and restore point
- Master ON/OFF switch
- Green LED AC power indicator
- Dual-color DC LED indicator
- Includes double-sided mounting tape

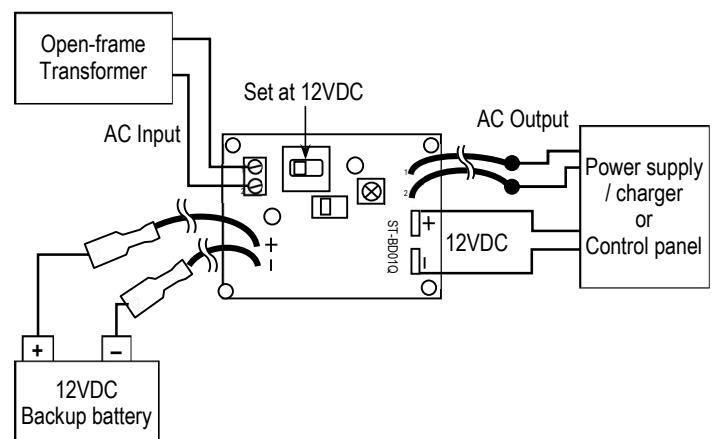


Specifications

Relay contact rating	7A@30VDC	
DC Operating voltage	12VDC	10~14 VDC
	24VDC	22~28 VDC
AC Input	12VDC	12~18 VAC
	24VDC	24~30 VAC
Adjustable cut-off range	12VDC	9~10 VDC
	24VDC	19.2~20.3 VDC
LED Indicators	AC	Green
	DC	Red = 12VDC / Blue = 24VDC
Connections	AC Input	Terminal block
	AC Output	Gray wire leads
	DC	Quick-connect terminal (battery side) On-board male spade terminals*
Operating humidity	Up to 90%, non-condensing	
Operating temperature	-40°~149° F (-40°~65° C)	
Dimensions	2 ³ / ₈ "x1 ³ / ₄ "x7 ¹ / ₈ " (60x45x22 mm)	
Weight	2.2-oz (63g)	

*Must be connected for proper operation

Sample Application



SECO-LARM® U.S.A., Inc.

16842 Millikan Avenue, Irvine, CA 92606

Phone: (949) 261-2999 | (800) 662-0800 Fax: (949) 261-7326

Website: www.seco-larm.com Email: sales@seco-larm.com



Copyright © 2024 SECO-LARM U.S.A., Inc. All rights reserved. All trademarks are the property of SECO-LARM U.S.A., Inc. or their respective owners. The SECO-LARM policy is one of continual development. For that reason, SECO-LARM reserves the right to change prices and specifications without notice. SECO-LARM is not responsible for misprints.

SECO-LARM® ENFORCER® CRIMEBUSTER® CBA® SLI®

PI_ST-BD01Q_240201.docx