

ENFORCER®

IP Covert PIR Camera

EV-N6506-3W4Q

Installation Manual



The ENFORCER IP Covert PIR Camera conceals a 5MP Low-Illumination, H.265 Dual Stream IP camera in a non-functioning PIR housing for unobtrusive, discreet security. It offers features such as true Day and Night with an ICR module, digital noise reduction (2DNR and 3DNR), and Digital Wide Dynamic Range (D-WDR) all with the convenience and features of an IP camera.

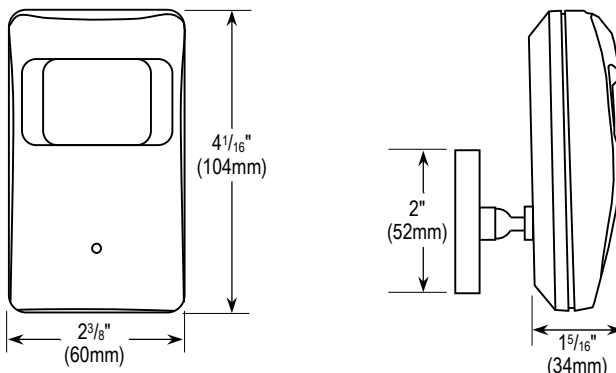
- H.265, Dual Stream IP Camera
- 1/2.8" 5MP Low illumination CMOS
- D-WDR (Digital Wide Dynamic Range)
- 3.7mm Covert pinhole lens
- True Day & Night with ICR module
- 12VDC operation, 802.3af PoE
- 1440p Resolution
- 3DNR (3D Digital Noise Reduction)
- 2DNR (2D Digital Noise Reduction)
- Camera is hidden in a non-functioning PIR sensor housing

Parts List

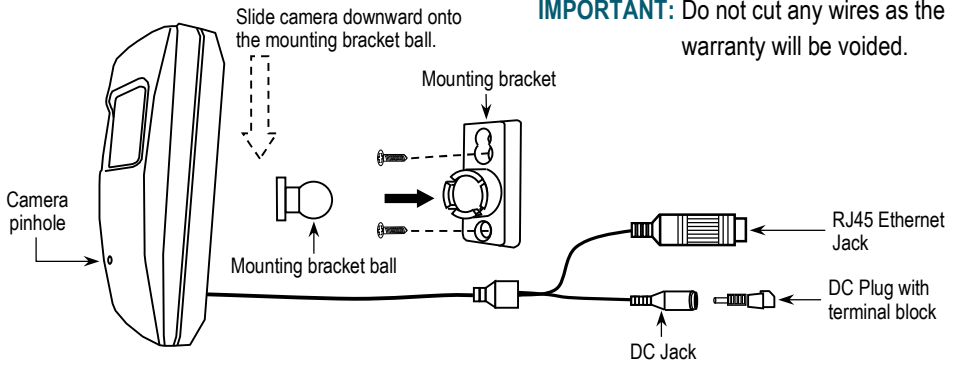
1x Camera	2x Mounting screws	1x Mounting bracket	1x CD
1x Weatherproof connector	2x Screw anchors	1x Mounting bracket ball	1x Manual

Specifications

Type	Covert PIR Camera
Formats	IP
CMOS	1/2.8" 5MP Low illumination CMOS
Resolution (HD)	2880x1616, 1440p
2DNR	Yes
3DNR	Yes
D-WDR	Yes
Video Compression	H.265
Megapixels	5MP
Lens	3.7mm Pinhole lens
# of IR LEDs	18 Covert (940nm)
IR Range	Up to 50ft (15m)
FPS	25
F Stop	1.2
Minimum illumination	IR On 0.01 Lux IR Off 0.001 Lux
Electronic shutter speed	1/50s(1/60s)~1/10000s
Shutter control	Yes
Primary stream rate	32Kbps~8Mbps
Secondary stream rate	
Operating voltage	12VDC, 802.3af PoE
Operating temperature	-4°~140° F (-20°~60° C)
Dimensions	4 ¹ / ₁₆ "x2 ³ / ₈ " x1 ⁵ / ₁₆ " (104x60x34 mm)
Weight	12.3-oz (350g)

Overview

Overview



Before Starting

1. Use the camera within the given temperature and voltage limits.
2. Do not point the camera at the sun. Heat can damage the camera even when not in use.
3. Do not subject the camera to strong vibrations.
4. Do not mount the camera in areas exposed to radiation, strong magnetic fields, or strong electrical signals.

Installation

1. Run a 12VDC power supply wire and a RJ45 Ethernet cable through the wall to where the camera will be mounted.
2. Connect the camera's video and power cables and temporarily mount the camera using the mounting bracket and included hardware.
3. Using the Internet Explorer browser, input the camera's default IP address into the address bar. See below for complete default parameters.

DEFAULT PARAMETERS

IP Address: 192.168.1.10	User Name: admin
Subnet Mask: 255.255.255.0	Password: default (leave blank)
ONVIF Port: 2000	Data Port: 5000
Gateway: 192.168.1.1	Web Port: 80
DNS: 8.8.8.8	DHCP: OFF

4. ActiveX installation is required when the IP camera interface is first accessed. Follow the prompts to install ActiveX.
5. Enter the default User Name and Password to log into the IP camera web interface which allows for full access and adjustment of the camera's settings.
6. Using the IP camera interface, adjust the video settings until the desired image is displayed.
7. Confirm mounting location and finalize mounting.
8. Conduct a final test of the video camera and monitor and adjust settings as necessary.

For the full Web Admin manual, download from the camera's product page on www.seco-larm.com.

Troubleshooting

The screen is black	<ul style="list-style-type: none">• Check that the camera is powered up• Check that the power supply's polarity is correct• Check that the monitor is powered up• Check that the video cable connecting the camera to the monitor is connected properly
The image is foggy or washed out at night	<ul style="list-style-type: none">• Check that there are no objects very close to the camera• Check that there are no highly reflective objects in the scene
The screen image is dim	<ul style="list-style-type: none">• Clean the lens using a soft, clean cloth• Check that the light source is adequate
The screen image has poor contrast	<ul style="list-style-type: none">• Adjust the monitor's contrast knob• Change the position of the camera
The screen image flickers	<ul style="list-style-type: none">• Change the position of the camera, check cables and format setting
The screen image is distorted	<ul style="list-style-type: none">• Change the position of the camera, check cables and format setting
The camera case is hot	<ul style="list-style-type: none">• Check that the correct power supply is in use
IR LEDs do not turn on	<ul style="list-style-type: none">• Check that the correct power supply is in use
No video image is displayed in the browser Live Preview	<ul style="list-style-type: none">• ActiveX must be installed when accessing the IP camera interface for the first time

WARNING: Stop using the camera if you see a malfunction such as smoke or unusual heat, as it could cause fire or electric shock. Do not open the case of this device, as there are no user-serviceable components inside. Do not cut any wires as the warranty will be voided

FCC COMPLIANCE STATEMENT

THIS DEVICE COMPLIES WITH PART 15 OF THE FCC RULES. OPERATION IS SUBJECT TO THE FOLLOWING TWO CONDITIONS: (1) THIS DEVICE MAY NOT CAUSE HARMFUL INTERFERENCE AND (2) THIS DEVICE MUST ACCEPT ANY INTERFERENCE RECEIVED, INCLUDING INTERFERENCE THAT MAY CAUSE UNDESIRE OPERATION.

Notice: The changes or modifications not expressly approved by the party responsible for compliance could void the user's authority to operate the equipment.

IMPORTANT NOTE: To comply with the FCC RF exposure compliance requirements, no change to the antenna or the device is permitted. Any change to the antenna or the device could result in the device exceeding the RF exposure requirements and void user's authority to operate the device.

IMPORTANT: Users and installers of this product are responsible for ensuring this product complies with all national, state, and local laws and statutes related to monitoring and recording audio and video signals. SECO-LARM will not be held responsible for the use of this product in violation of any current laws or statutes.

California Proposition 65 Warning: These products may contain chemicals which are known to the State of California to cause cancer and birth defects or other reproductive harm. For more information, go to www.P65Warnings.ca.gov.

WARRANTY: This SECO-LARM product is warranted against defects in material and workmanship while used in normal service for three (3) years from the date of sale to the original customer. SECO-LARM's obligation is limited to the repair or replacement of any defective part if the unit is returned, transportation prepaid, to SECO-LARM. This Warranty is void if damage is caused by or attributed to acts of God, physical or electrical misuse or abuse, neglect, repair or alteration, improper or abnormal usage, or faulty installation, or if for any other reason SECO-LARM determines that such equipment is not operating properly as a result of causes other than defects in material and workmanship. The sole obligation of SECO-LARM and the purchaser's exclusive remedy, shall be limited to the replacement or repair only, at SECO-LARM's option. In no event shall SECO-LARM be liable for any special, collateral, incidental, or consequential personal or property damage of any kind to the purchaser or anyone else.

NOTICE: The SECO-LARM policy is one of continual development and improvement. For that reason, SECO-LARM reserves the right to change specifications without notice. SECO-LARM is also not responsible for misprints. All trademarks are the property of SECO-LARM U.S.A., Inc. or their respective owners. Copyright © 2024 SECO-LARM U.S.A., Inc. All rights reserved.

SECO-LARM® U.S.A., Inc.

16842 Millikan Avenue, Irvine, CA 92606

Phone: (949) 261-2999 | (800) 662-0800

Website: www.seco-larm.com

Email: sales@seco-larm.com

 PICVN3

MI_EV-N6506-3W4Q_240313.docx